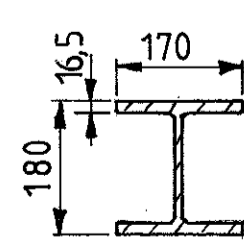
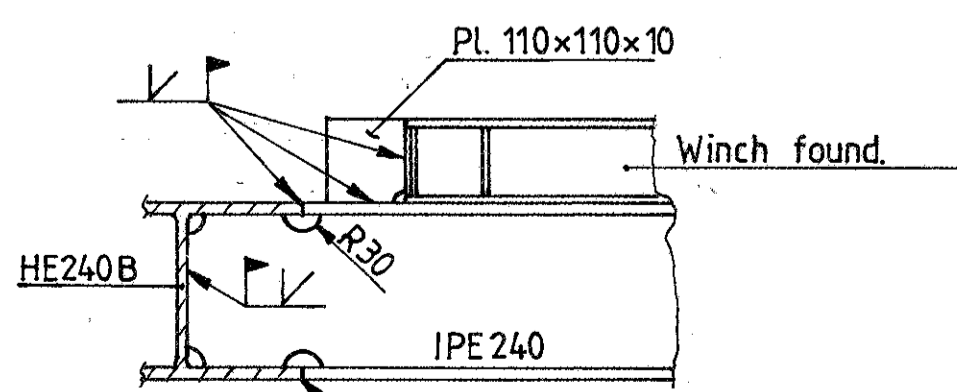


NEW STIFFNERS IN WINCHFOUND.

Existing framing column 1 level +12400

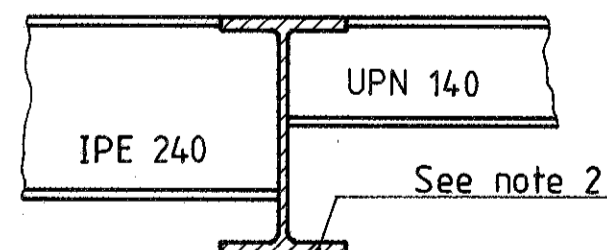


Section A-A

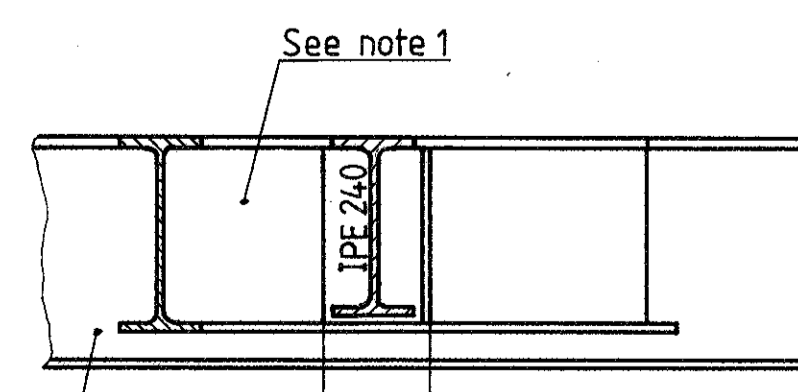


Section C - C

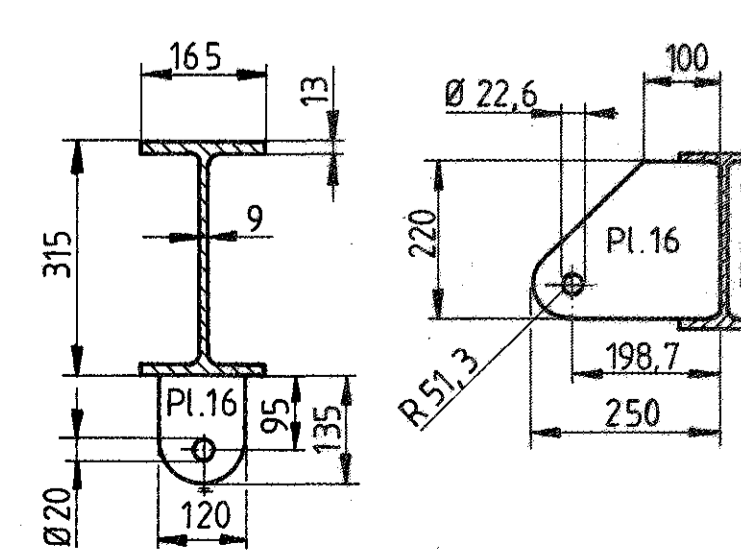
Typ. beam to beam connection.
Typ. connection winch found. to deck beams.



Section H - H

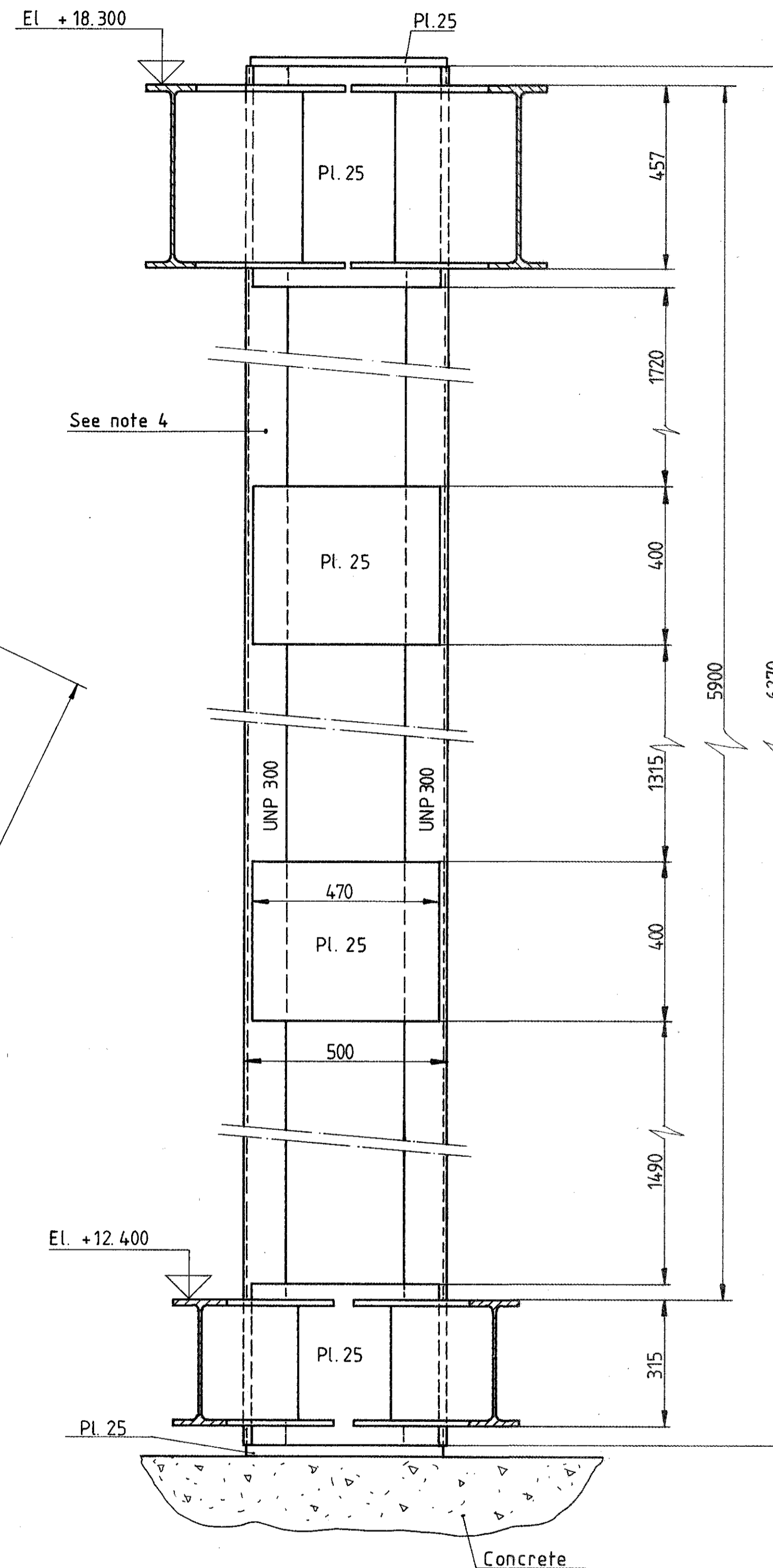


Section D - D



Section E-E

Section F-F



Section G - G
(Typ.)

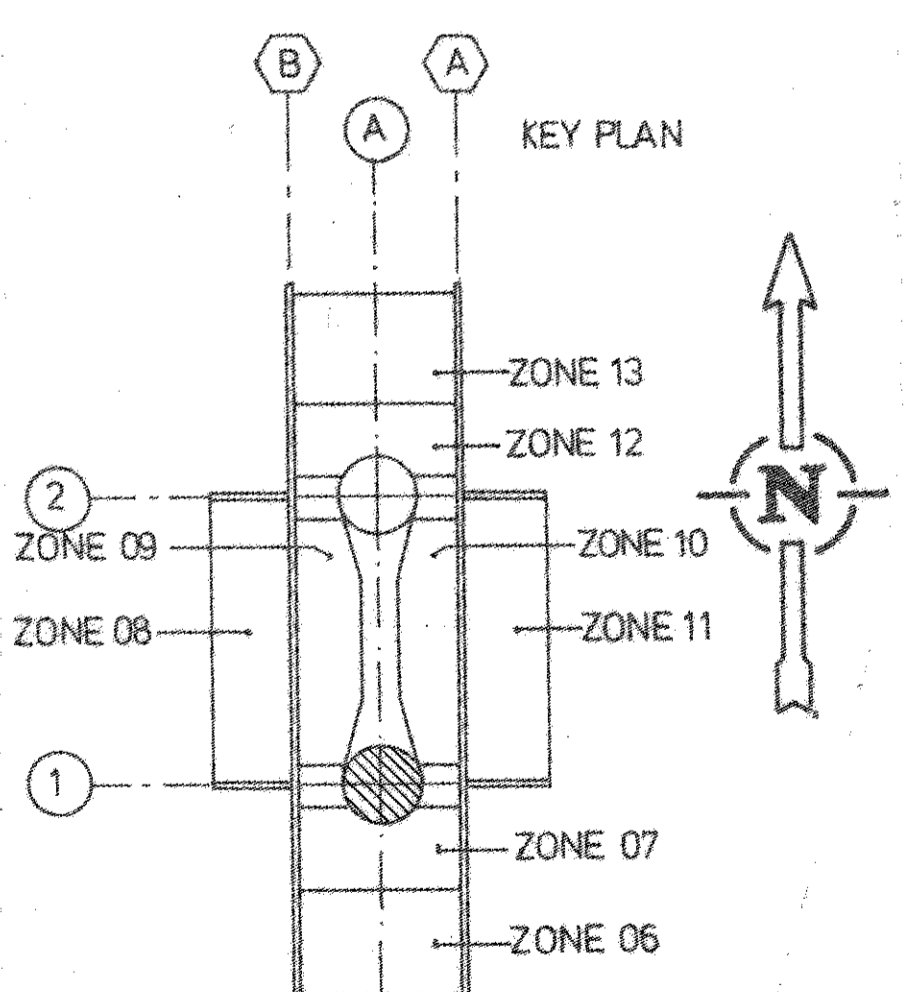
Notes:

1. Universal beam 254x146
Depth of section : 256,0
Width of section : 146,4
2. Section properties typical for all 3 main beams.
Ref. section E-E.
3. Steel quality unknown.
4. Columns between level +18300 and level +12400
differ from vertical, see drawing FF 95 21 23 1242
5. Cut out lower flange (3 off).

Reference drawings:

- As built existing framing column 1
Level + 18300 : FF 95 21 23 12 42
- As built existing foundation for winches and
guiderollers C1+C2: FF 95 21 23 12 40
GRATING PLAN FF-95-21-23-1263
WINCH FOUND. FF-95-21-23-1270

Key plan



| | | | |
|------|--------|----------------------------------|-----------|
| 2 | 5/8-86 | REPLACE DRG. N° FF 95-21-28-1133 | S.S. |
| 1 | 060586 | AS BUILT UP TO 30.04.86 | K.U. S.E. |
| 0 | 1/5-84 | first issue | S.E. |
| rev. | date | DESCRIPTION | by app. |

R. BJERCK AS S. 672 - 11355
RÅDGIVENDE INGENJØRER

| | | |
|---|--|-----------|
| elf | eif aquitaine norge as p.o. box 168 - 4001 Stavanger | |
| | Installation | System |
| A1 | TP1 | STRUCTURE |
| As built existing framing Column C1 Level +12 400 | | |
| Job no. SR95161 | Scale 1:20 1:10 | |

| | | | |
|-------------|-----------------------------|--------|-----------|
| FRIGG FIELD | Drwg. no. FF 95 21 23 12 39 | Rev. 2 | Sheet 1/1 |
|-------------|-----------------------------|--------|-----------|