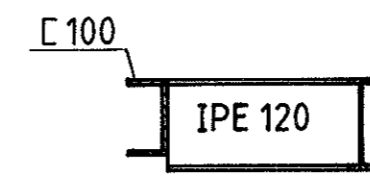
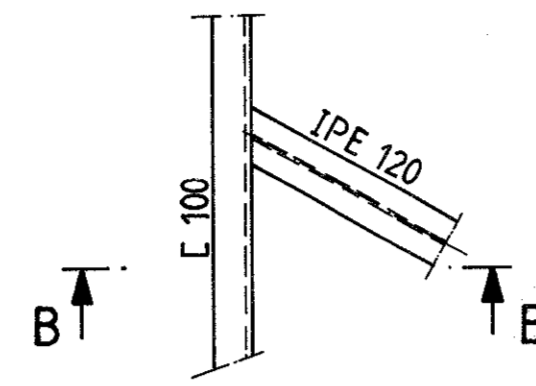


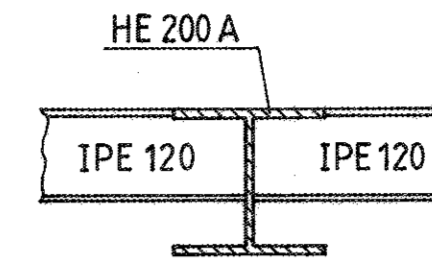
Existing framing column 1 level +5000



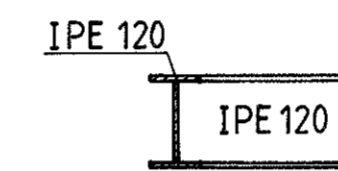
Section B-B



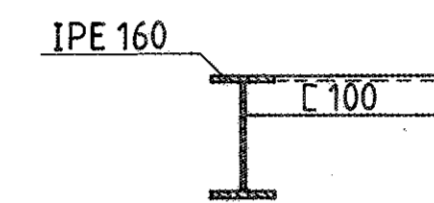
Detail 1



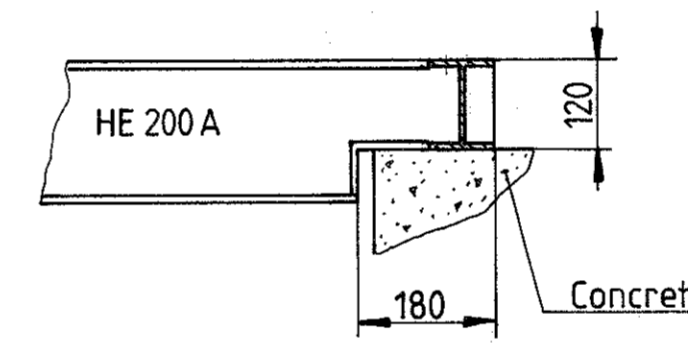
Section A-A



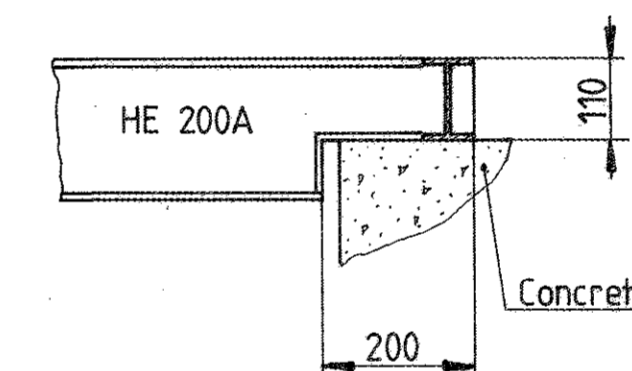
Section C-C



Section D-D



Section E-E



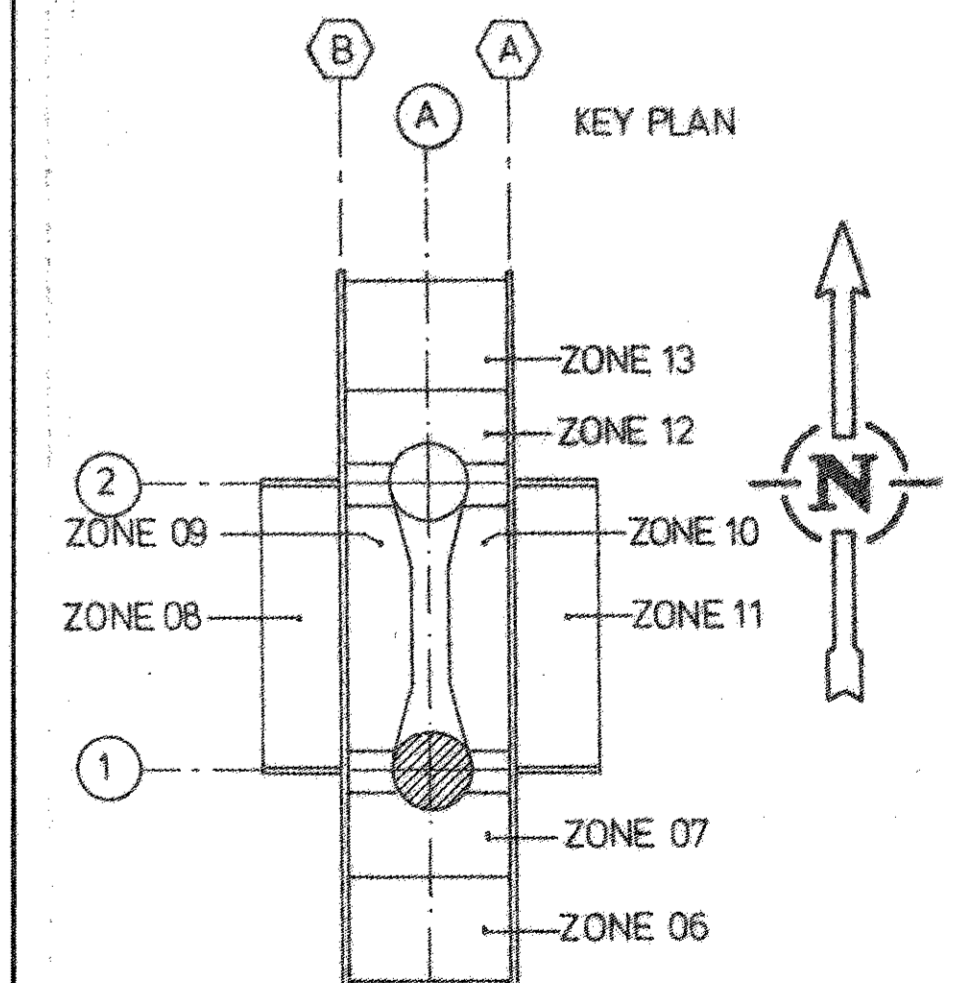
Section F-F

Notes:

1. Steel quality unknown.
2. Beam is kept together only by a part of upper flange.

REF. DRG.

GRATING PLAN FF-95-21-23-1267



1	5/21/11	REPLACE DRG. NO. FF-95-21-28-1143	S.S.
0	2/5-04	first issue	S.E.
rev.	date	DESCRIPTION	by app.

R.BJERCK AS
RÅDGIVENDE INGENJØRER S. 672-11356

	elf aquitaine norge as p.o. box 168 - 4001 Stavanger	
	Installation	System
A1	TP1	STRUCTURE
Job no.	As built existing	
SR 95161	framing Column 1	
Scale	Level +5000	
1:20 1:10		

FRIGG FIELD	Drwg. no.	FF 95 21 23 12 44	Rev.	1	Sheet	1/1
-------------	-----------	-------------------	------	---	-------	-----