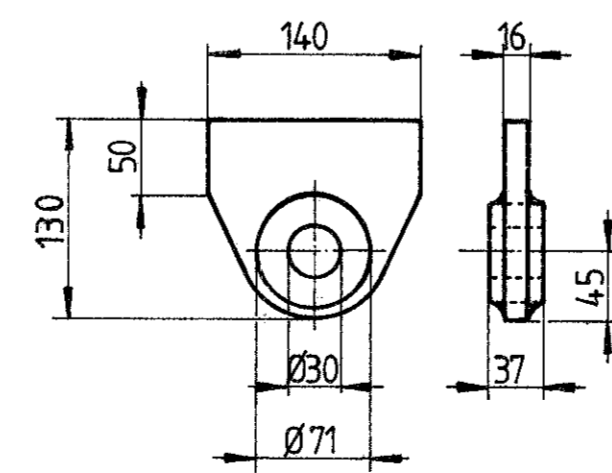
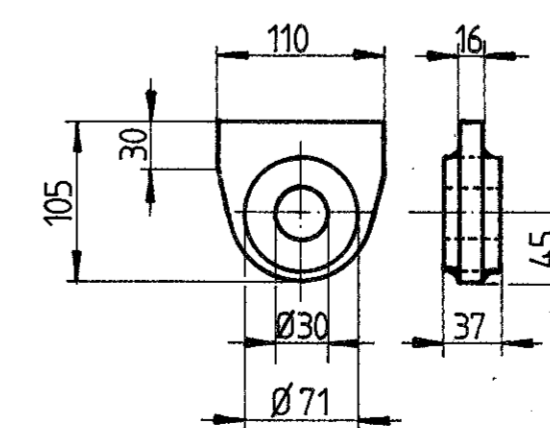


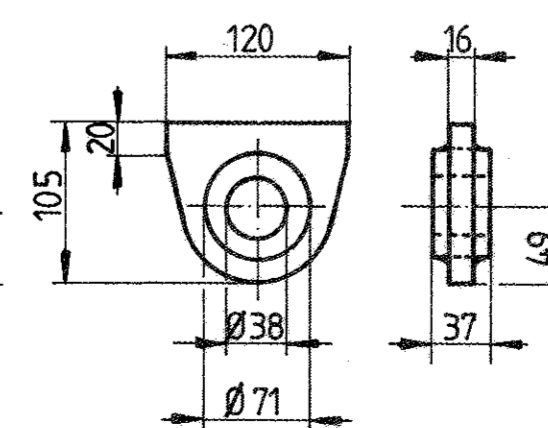
Existing framing column 2 level +17300



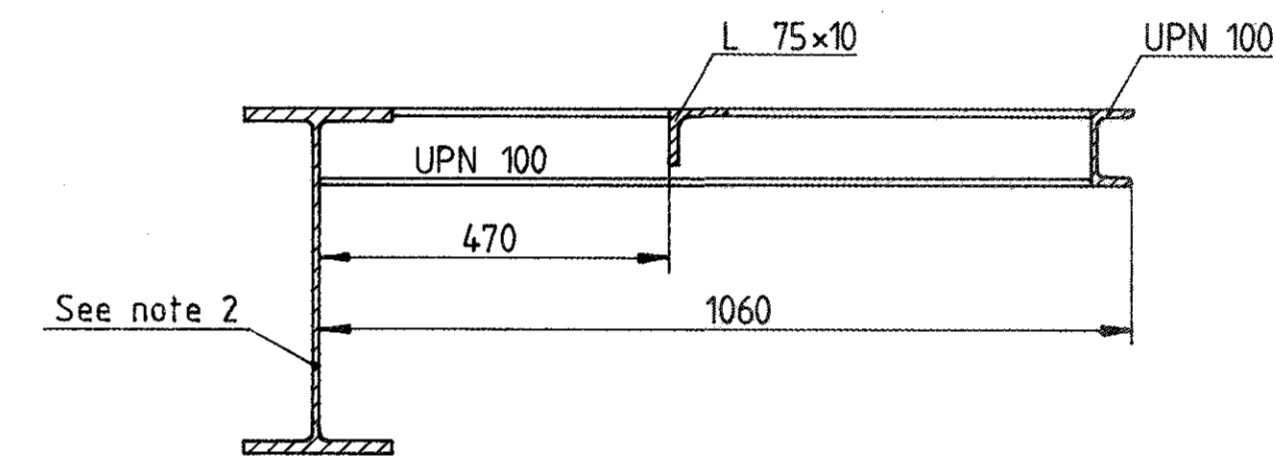
Detail 1
(4 off)



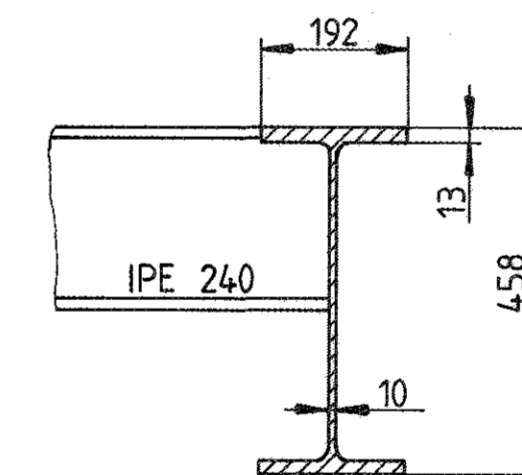
Detail 2
(2 off)



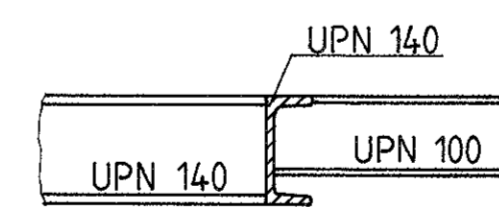
Detail 3
(4 off)



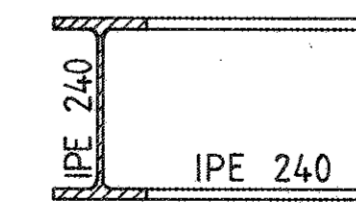
Section D - D



Section C - C



Section A - A



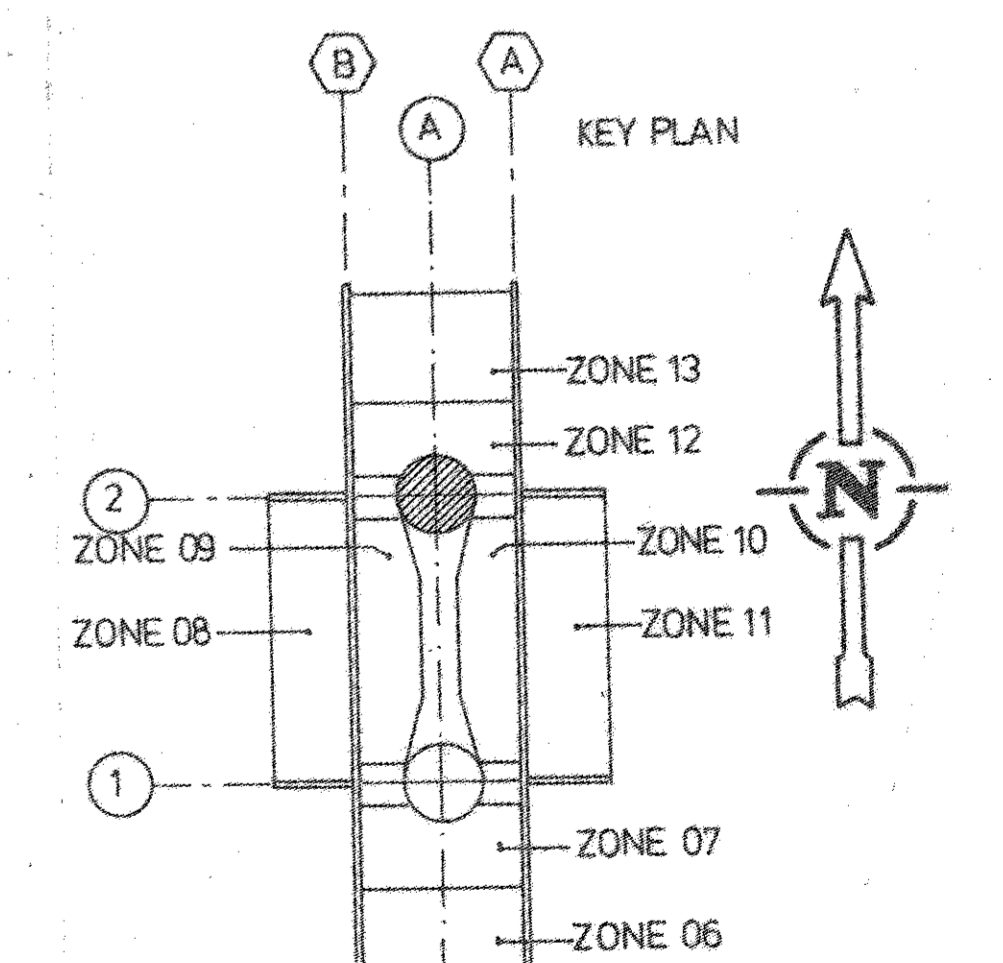
Section B - B

Notes:

1. Steel quality unknown.
2. Section properties typical for all 3 main beams, ref. section C-C.
3. Columns between level +17300 and level +12400 differ from vertical as shown on this drawing.
4. Foundations for guiderollers and IR K6U winch, see ref. drawings.

Reference drawings:

- As built existing framing column 2
Level +12400: FF 95 21 23 1245.
- As built existing foundations for winches and guiderollers column 1+2 : FF 95 21 23 1240.
- FF 95 21 23 1249



3	28-86	REPLACE DEG UP FF-95-21-28-1136	S.S
2	060586	AS BUILT UP TO 30.04.86	KU S.E.
1	190934	IPE 240 replaced by IER 240	PEL
0	27-84	first issue	S.C.
rev.	date	DESCRIPTION	by app.

R. BJERCK AS
RÅDGIVENDE INGENJØRER S. 672 - 11357

elf	elf aquitaine norge as p.o. box 168 - 4001 Stavanger	
	A1	TP1 System STRUCTURE
	As built existing framing Column 2 Level +17300	
Job no. SR 95161	Scale 1:20	Drwg. no. FF 95 21 23 12 43
Scale 1:10	1:5	Rev. 3
FRIGG FIELD	Sheet 1/1	