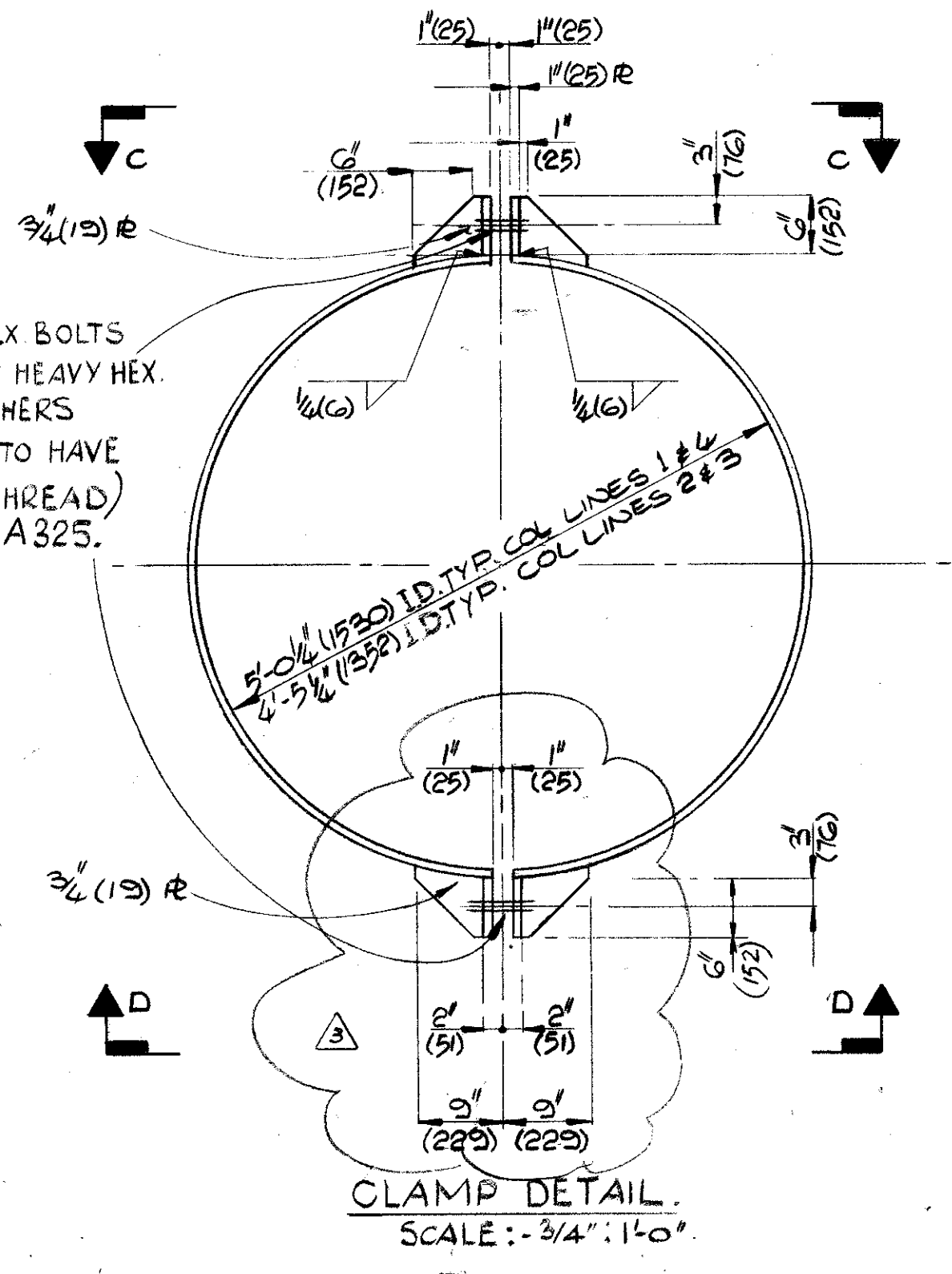
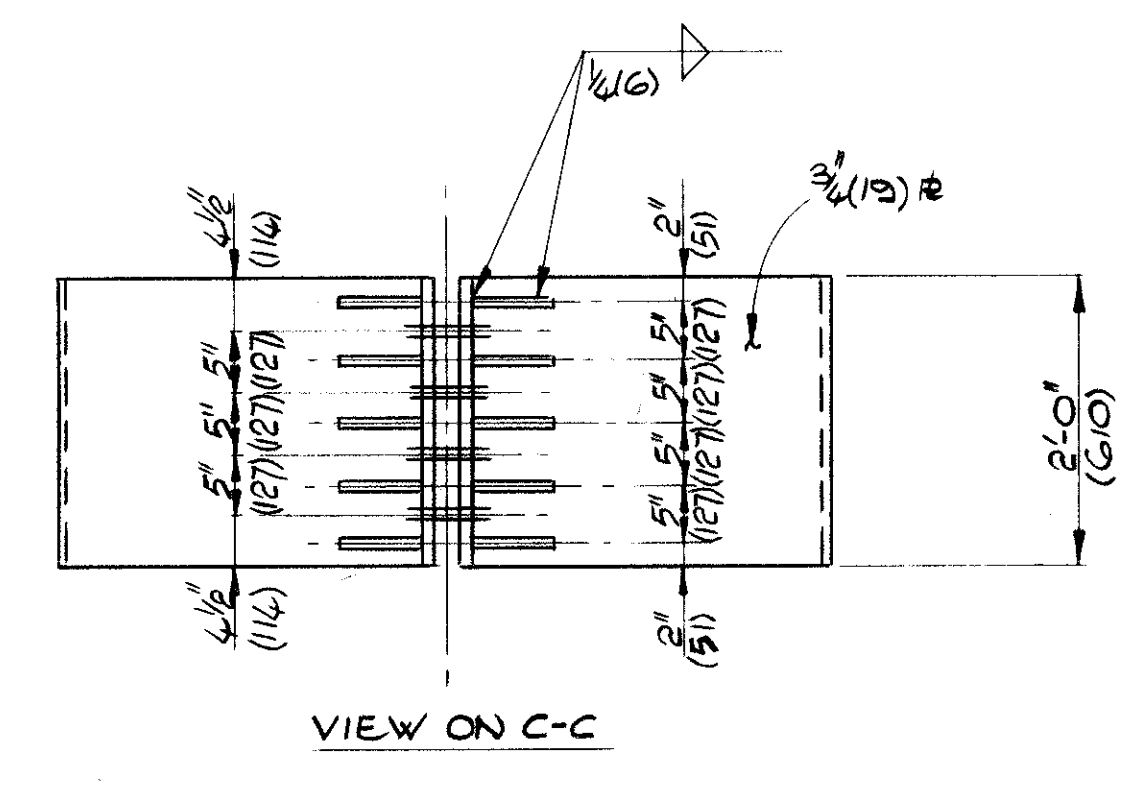
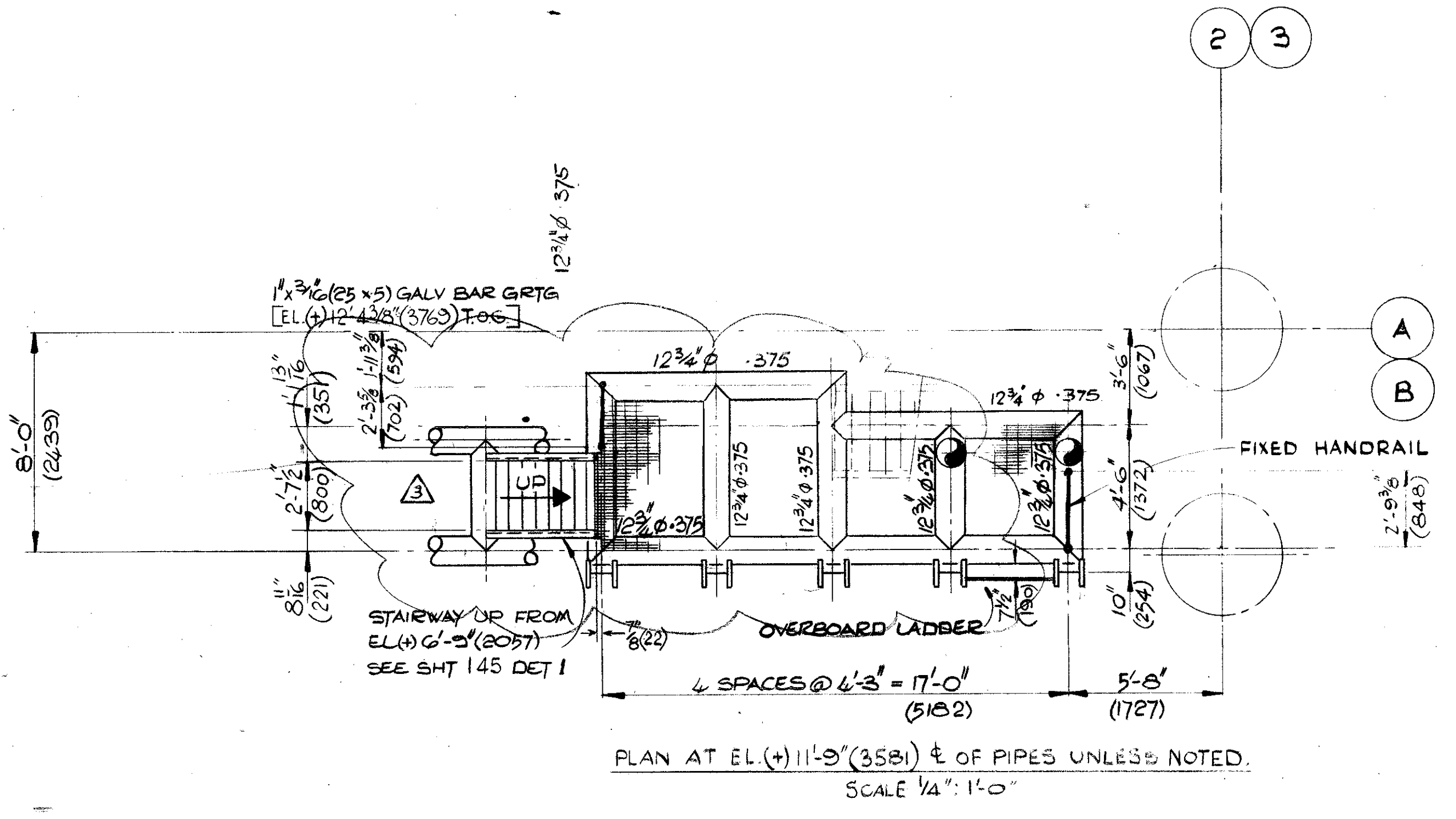
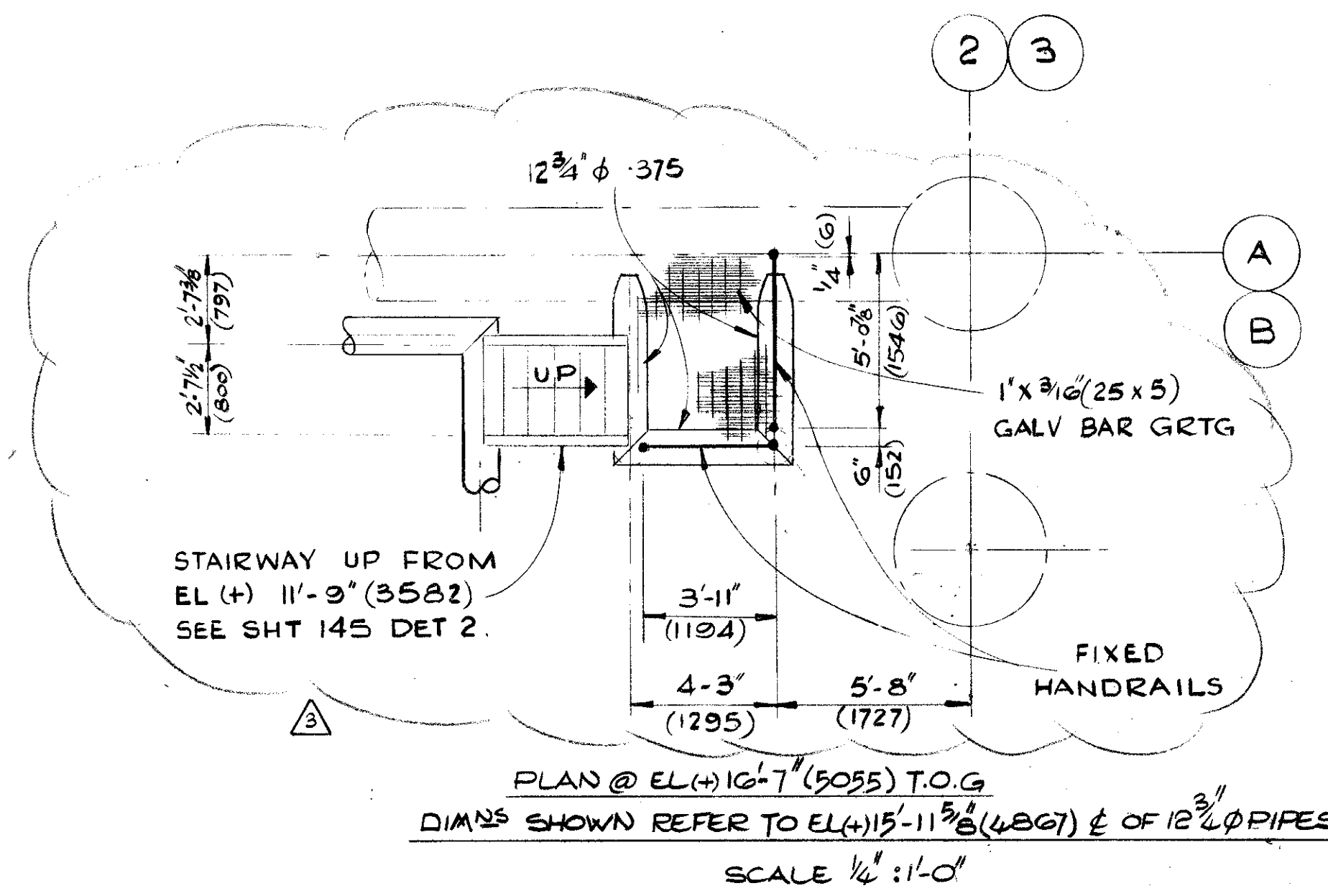
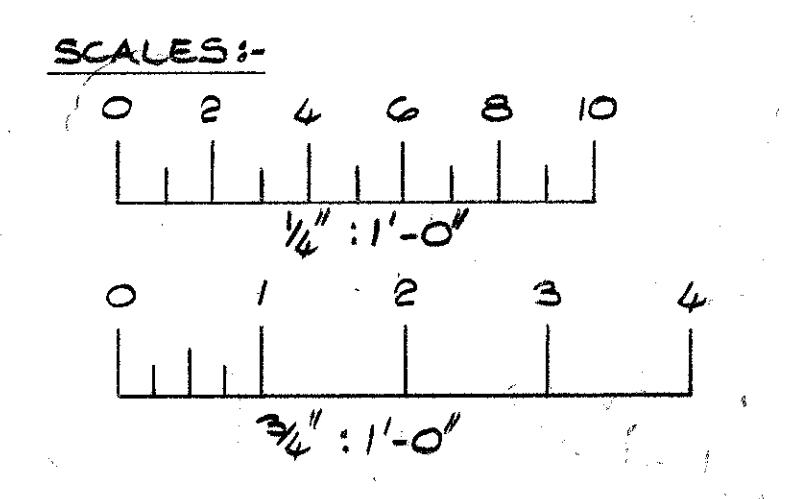
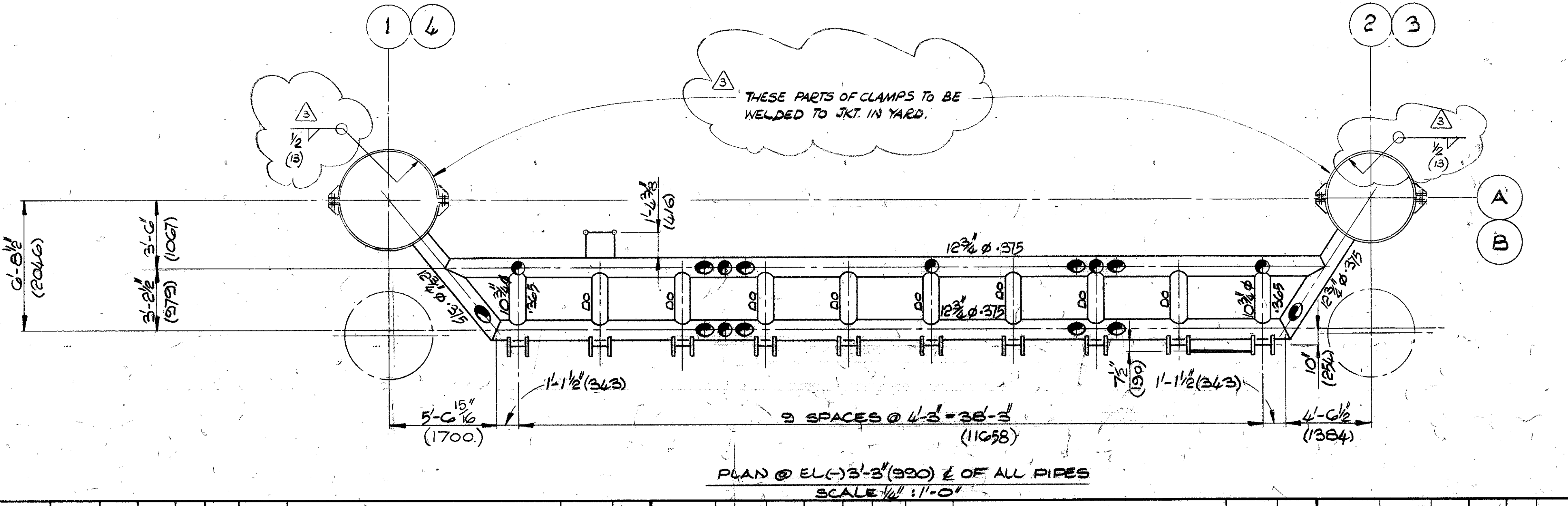
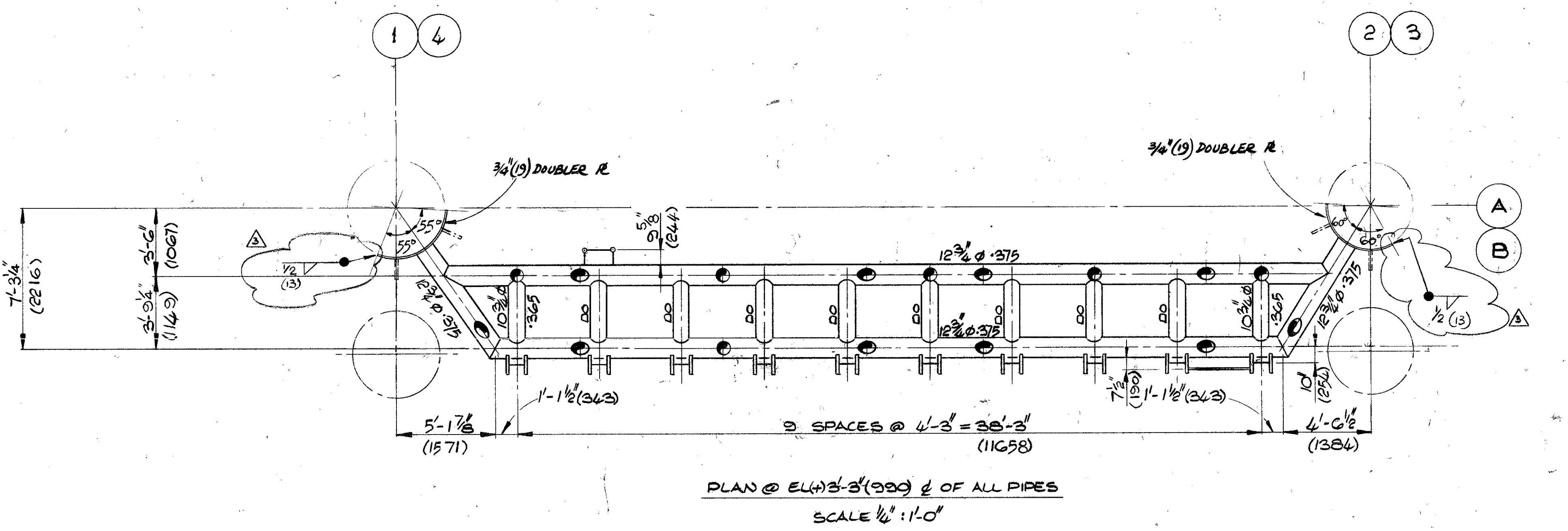
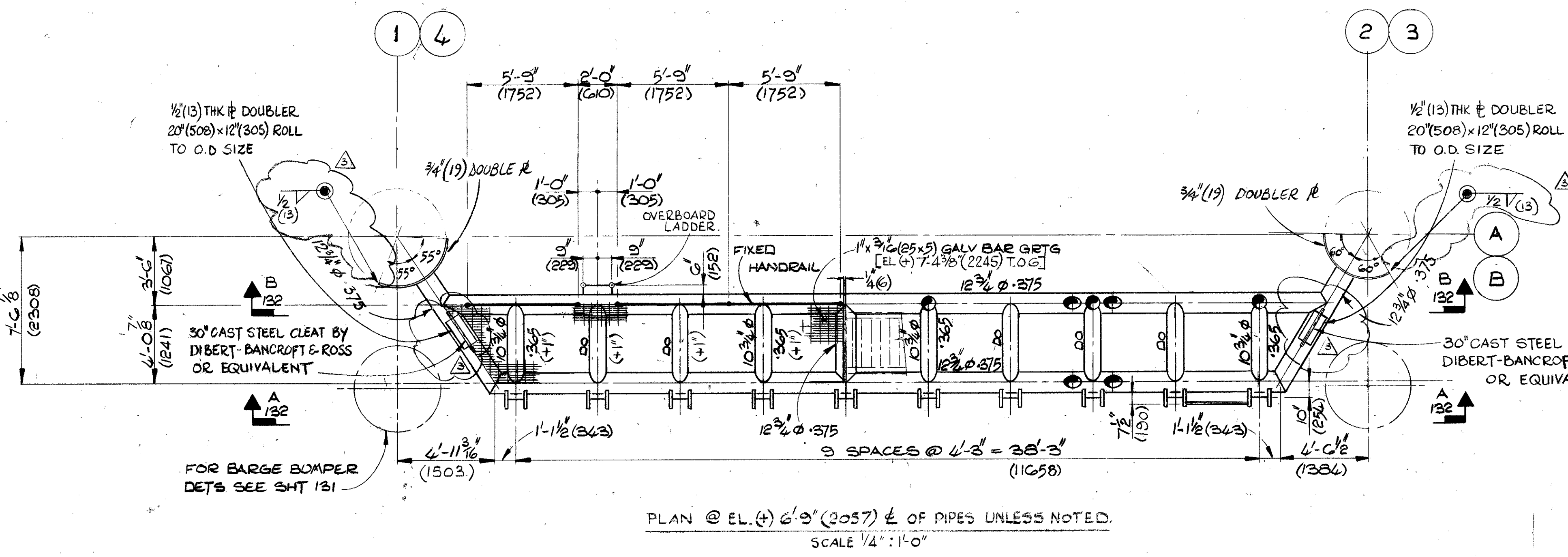


elf norge as  
 dwg no: FF 93/ 210.036  
 rev: .0 date: 02.10.74  
 item:

NOTE:-  
 1) ALL STEEL MILD STEEL NON STRUCTURAL.  
 2) DIMENSIONS SHOWN IN BRACKETS ARE METRIC EQUIVALENTS IN MILLIMETRES



REFERENCE DWGS:-  
 AC D-H DWGS:-  
 ELEVATION OF BOAT ELN 02020  
 LANDING SHT 1 OF 2 SHT. 132  
 BARGE BUMPER ELN 02020  
 SHT. 131  
 BOAT LANDING STAIRS AND OVERBOARD LADDER ELN 02020  
 SHT. 145



elf norge as  
 dwg no: FF 93/ 210.036  
 rev: .0 date: 02.10.74  
 item:

APPROVED: NO. DESIGNED: DATE: 12/17/73 ENGINEER'S APPROVAL:		<b>ELF-NORGE A/S</b> NORWAY	
		24 WELL SELF CONTAINED <b>DRILLING PLATFORM No 1</b> NORTH SEA FRIGG FIELD WD 68 M	
PROJECT: STRUCTURAL: MECHANICAL: ELECTRICAL: INSTRUMENT: TANK CHECK: PROP CHECK:		<b>McDERMOTT - HUDSON</b> LONDON - ENGLAND	
		DRAWN BY: S. Mitchell DESIGNED BY: R. HADDOX SCALE: 1/4" & 3/4" = 1'-0" DATE: 12-FEB-73 DWG. NO.: ELN 02020 SHEET NO.: 133 BOAT LANDING SHT. 2 OF 2.	

DESIGN	STRUCT	PIPING	ELEC	ME	BY	DATE	REVISIONS	DATE	APP	DESIGN	STRUCT	PIPING	ELEC	ME	BY	DATE	REVISIONS	DATE	APP	