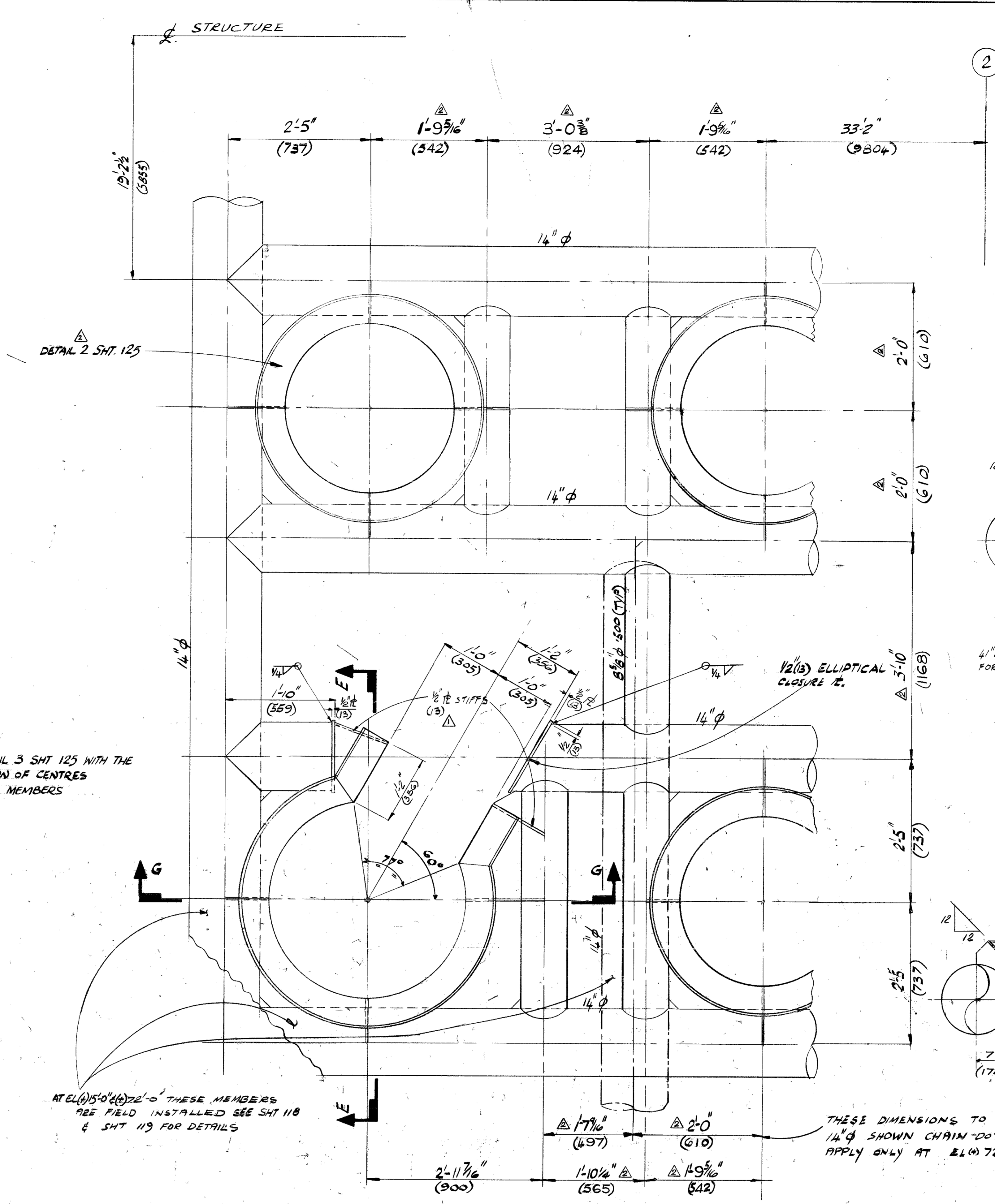
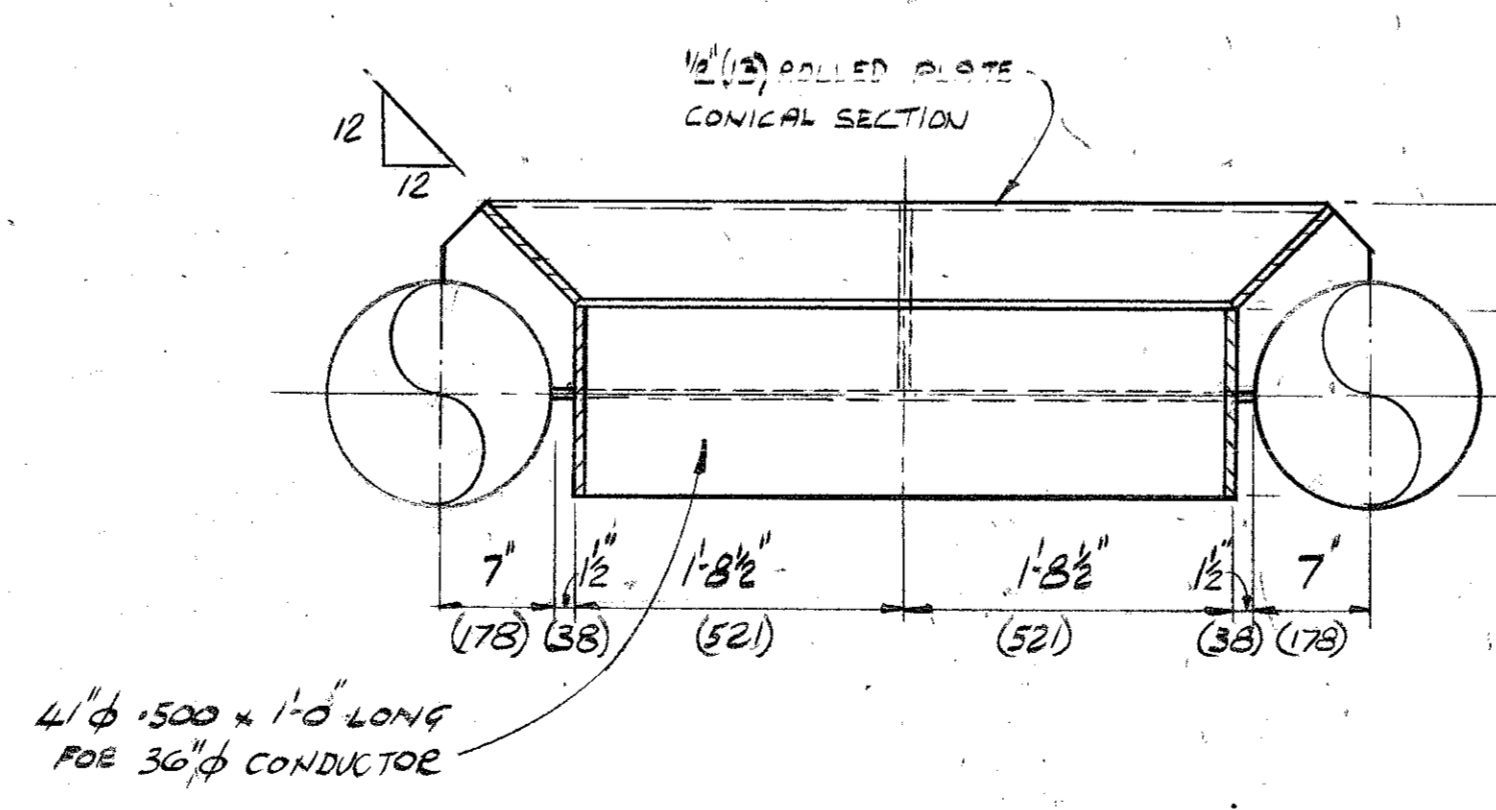


CONDUCTOR GUIDE FRAMING AT 41" GUIDE  
AT EL (+235'-6 3/16" (71788) EL (+165'-4 1/2" (50402) & EL (+96'-1 3/16" (29291))

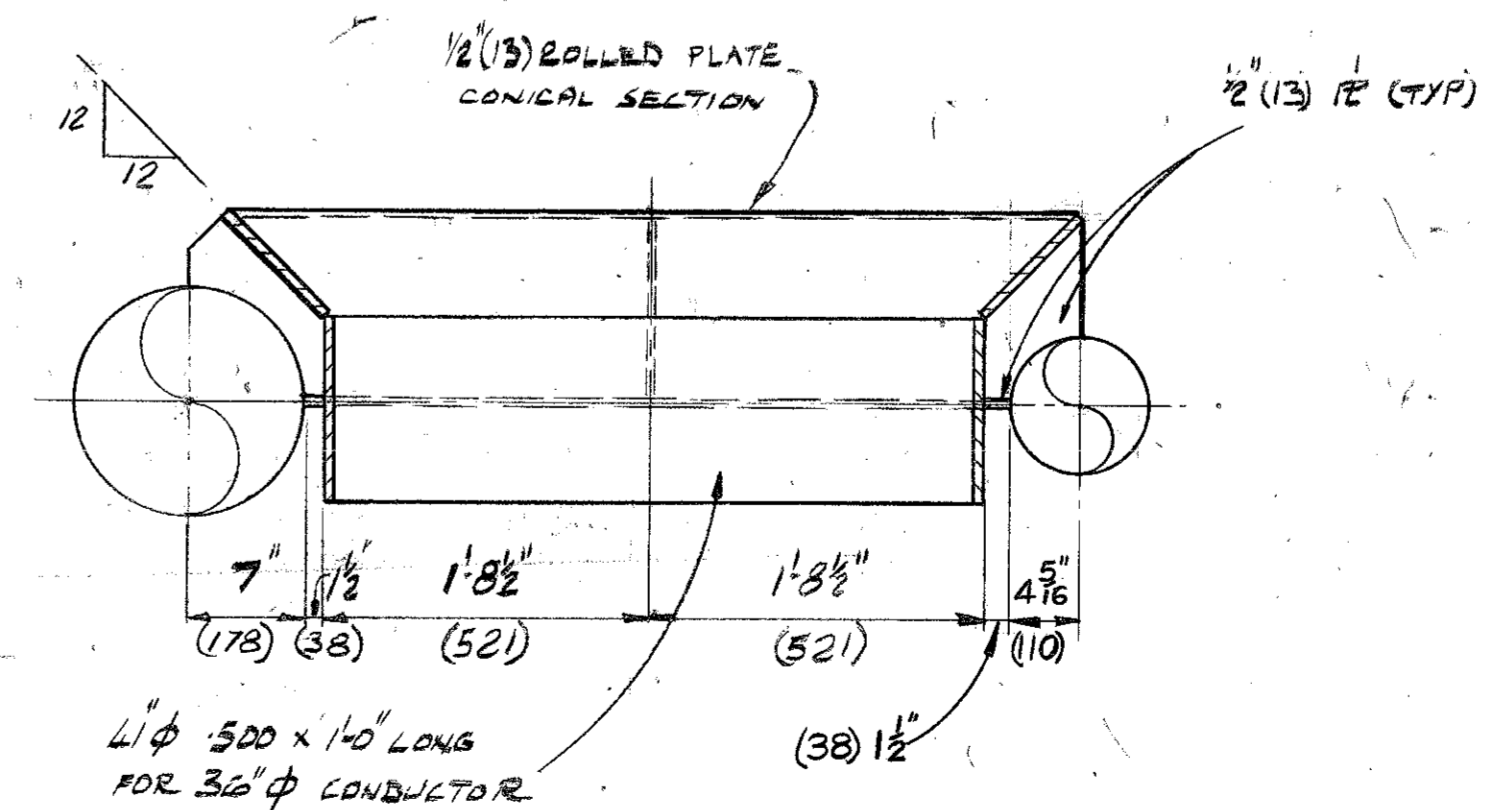
25 JUL 1973  
APPROVED FOR CONSTRUCTION



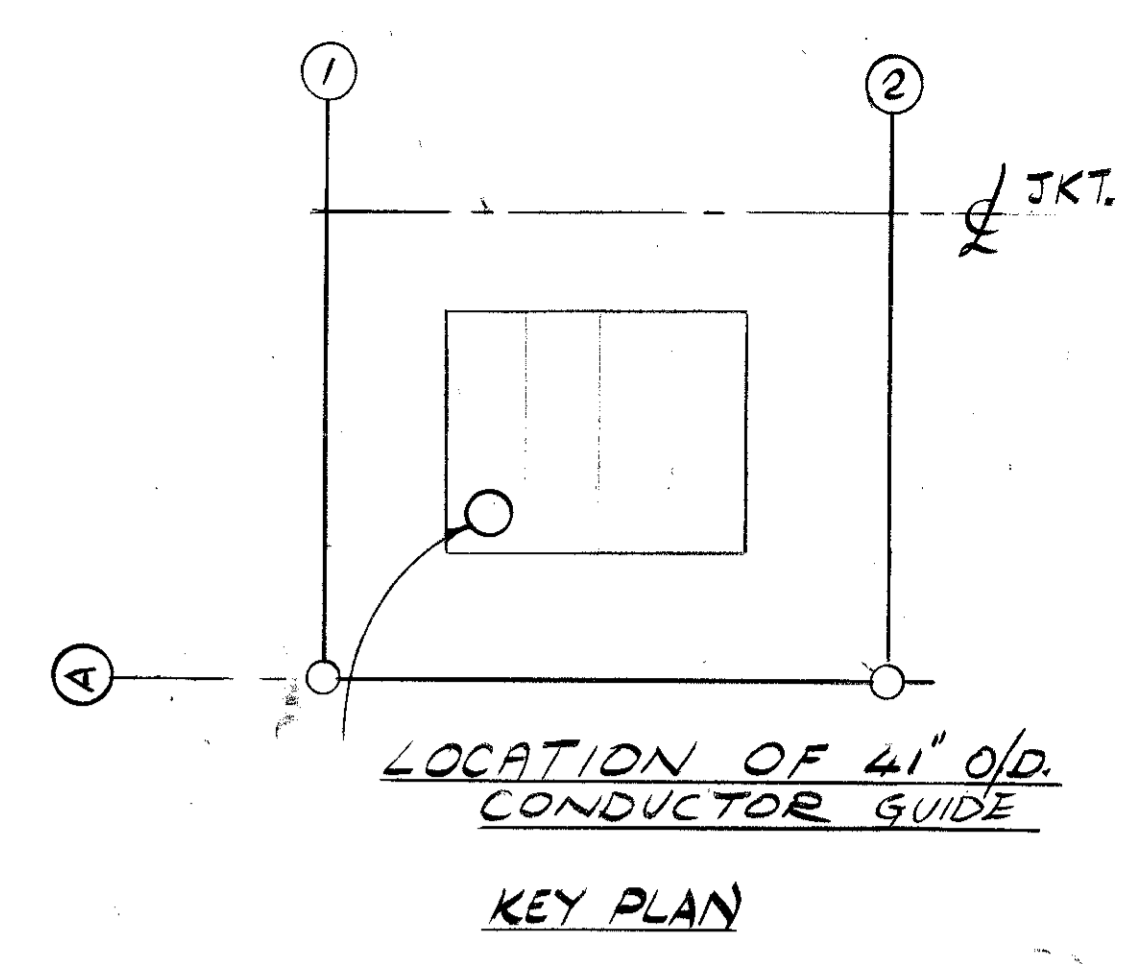
CONDUCTOR GUIDE FRAMING AT 41" GUIDE  
AT EL (+38'-11" (11861) EL (+15'-0" (4572) & EL (+72'-0" (21946))



SECTION C-C

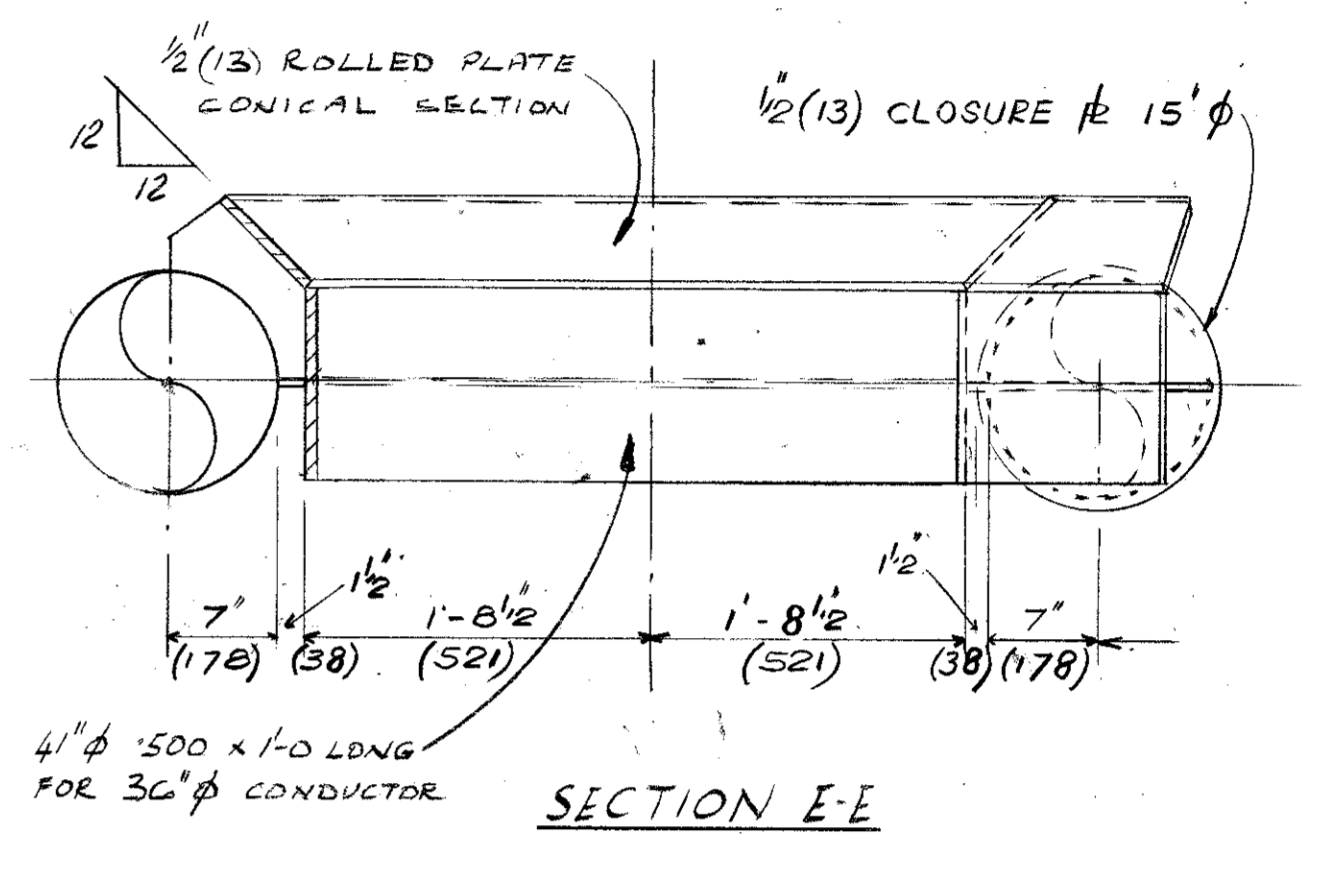


SECTION D-D



LOCATION OF 41" O/D CONDUCTOR GUIDE  
KEY PLAN

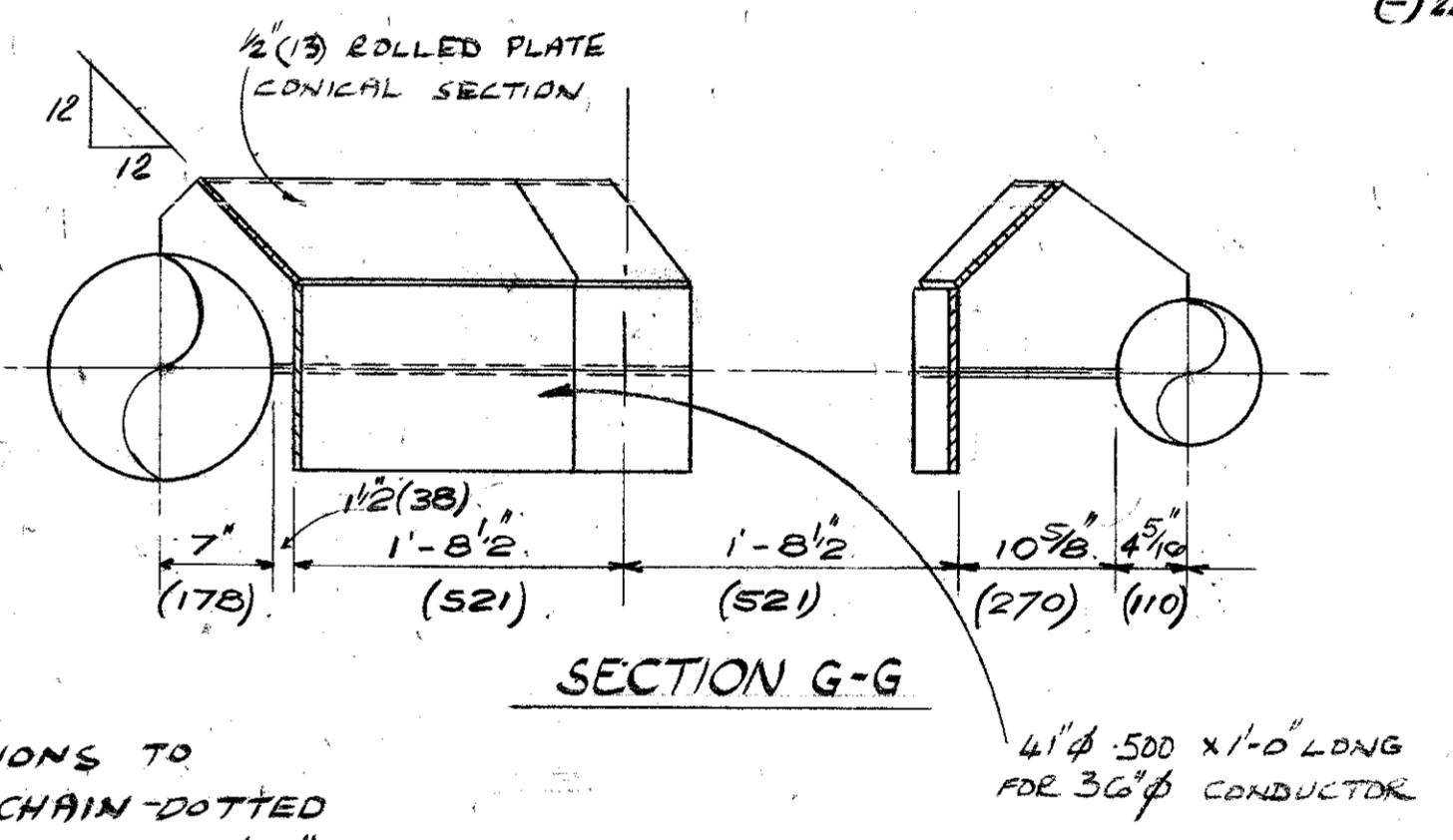
- NOTES:-
- DIMENSIONS SHOWN IN BRACKET ARE METRIC EQUIVALENTS IN MILLIMETRES
  - ALL MATERIAL ON THIS SHEET TO BE MILD STEEL - NON STRUCTURAL



SECTION E-E

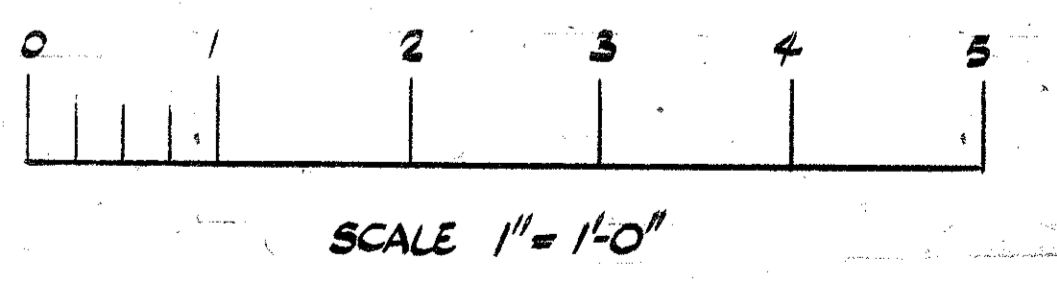
M.C.H REF DRAWINGS:-

HORIZONTAL FRAMING AT	ELN 2020 SHT. 123
(+235'-6 3/16"	" " 122
(+165'-4 1/2"	" " 121
(+96'-1 3/16"	" " 120
(+15'-0"	" " 119
(+72'-0"	" " 118
COND. GUIDE FRMS. EL (+72'-0" TO (+135'-6 3/16"	" " 125



SECTION G-G

self norge as  
dwg no: FF 231.210.052  
rev: 0 date: 09.10.74  
item:



DESIGN	STRUCT	PIPING	ELEC	MK	BY	DATE	REVISIONS	DATE	APP.	DESIGN	STRUCT	PIPING	ELEC	MK	BY	DATE	REVISIONS	DATE	APP.

ELF-NORGE A/S  
NORWAY

24 WELL SELF CONTAINED  
DRILLING PLATFORM No 1  
NORTH SEA. FRIGG FIELD. WD 98 M

MCDERMOTT - HUDSON  
LONDON - ENGLAND

APPROVED: [Signature]  
DATE: 27/7/73

ENGINEERS APPROVAL  
BY: [Signature] DATE: 27/7/73

PROJECT: 24 WELL DRILLING PLATFORM  
PROCESS: [Signature]  
MECHANICAL: [Signature]  
ELECTRICAL: [Signature]  
INSTRUMENT: [Signature]  
PIPE CHECK: [Signature]

DRAWN BY: C.A. PHELPS  
DESIGNED BY: R. GRIFFIN  
SCALE: 1" = 12"  
DATE: 26-AUG-73  
DWG. NO.: ELN 2020  
SHEET NO.: 150

CONDUCTOR GUIDE FRAMING AT 41" GUIDE