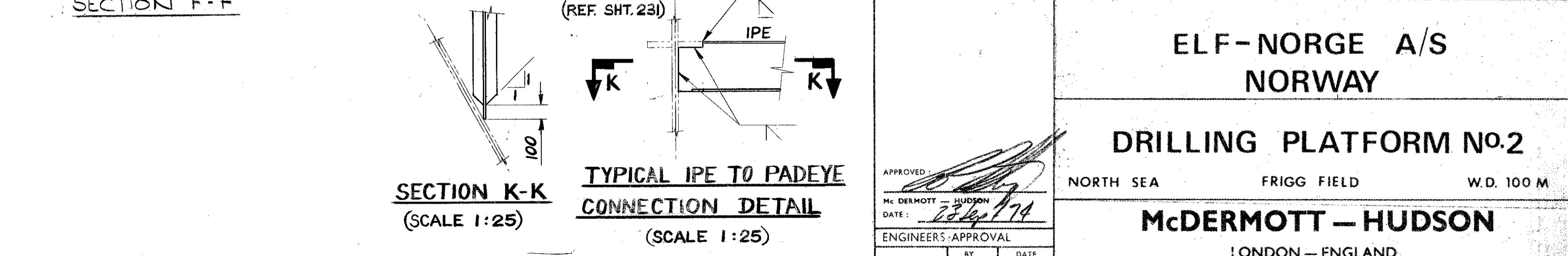
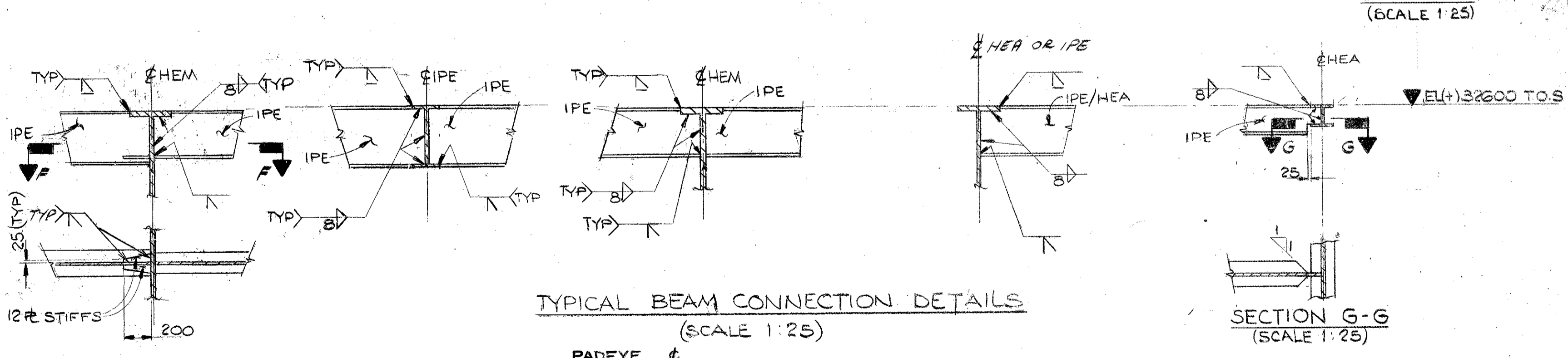
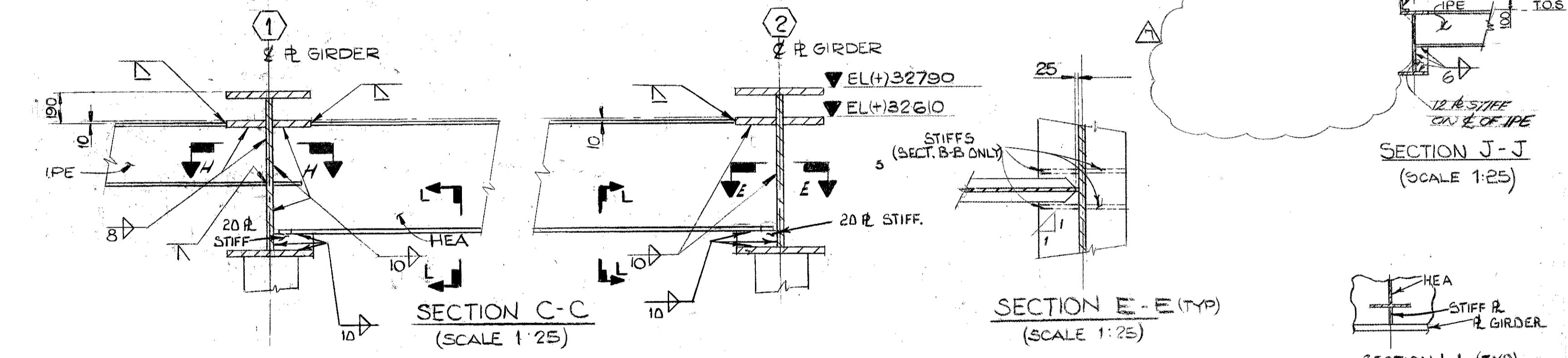
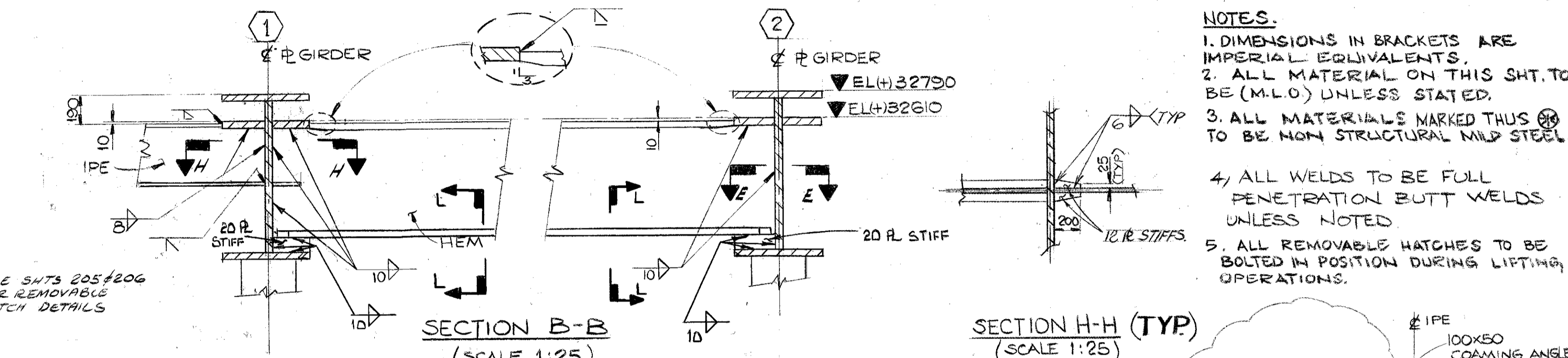
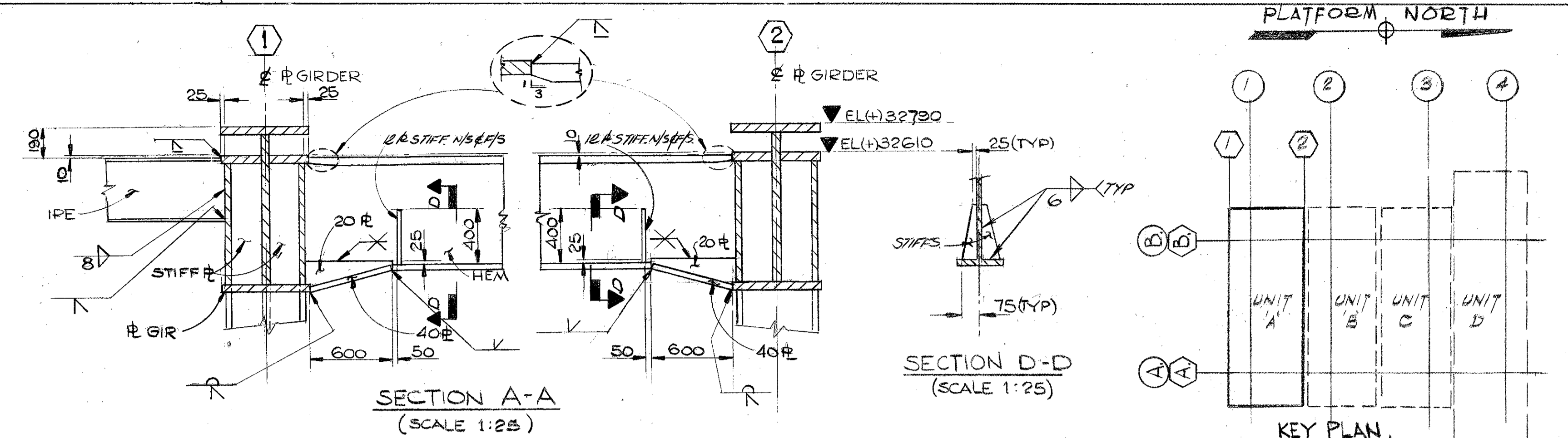


**UNIT 'A' DRILLING DECK FRAMING**  
 EL (+) 32600 T.O.S. UNLESS NOTED (+) OR (-)  
 (106'-11 1/2") (SCALE 1:100)



- NOTES.**
1. DIMENSIONS IN BRACKETS ARE IMPERIAL EQUIVALENTS.
  2. ALL MATERIAL ON THIS SHT. TO BE (M.L.O.) UNLESS STATED.
  3. ALL MATERIALS MARKED THUS  $\otimes$  TO BE NON STRUCTURAL MILD STEEL.
  4. ALL WELDS TO BE FULL PENETRATION BUTT WELDS UNLESS NOTED.
  5. ALL REMOVABLE HATCHES TO BE BOLTED IN POSITION DURING LIFTING OPERATIONS.

DESIGN REVISIONS										REVISIONS									
NO.	BY	DATE	DESCRIPTION	DATE	APP.	NO.	BY	DATE	DESCRIPTION	DATE	APP.	APPROVAL				APPROVAL			
1	KS	10-7-76	DETAILS 242-1 & 242-2 ADDED	14/11/76	KS	1	KS	10/19/74	DIM. 10700 WAS 8275-DIM 15004-410 ADDED	21/07/74	KS	APPROVED: [Signature]				APPROVED: [Signature]			
2	IS	17-2-76	20R STIFFS SECT L-L ADDED TO SECTIONS C-C & B-B	25-2-76	IS	2	IS	4-12-75	HE 140M IPE 360 ADDED PADEYE REPOSITIONED	18/12/75	IS	ENGINEERS APPROVAL				ENGINEERS APPROVAL			
3	TM	28-1-76	SECTION K-K TYPICAL IPE TO PADEYE CONN. DET. ADDED. 100X50 & TYP ANGLE CORR. DIMENED. HE 140M-NON STRUCT. MILD STEEL WAS M.L.O. FAB. INSTALLED IPE WAS ERECTOR INSTALLED.	3-2-76	TM	3	TM	10/19/74	HE 140M IPE 360 ADDED PADEYE REPOSITIONED	5/8/75	TM	PROJECT: [Signature]				PROJECT: [Signature]			
4	KS	10-7-76	DETAILS 242-1 & 242-2 ADDED	14/11/76	KS	4	KS	10/19/74	HE 140M IPE 360 ADDED PADEYE REPOSITIONED	21/07/74	KS	DRAWN BY: [Signature]				DRAWN BY: [Signature]			
5	IS	17-2-76	20R STIFFS SECT L-L ADDED TO SECTIONS C-C & B-B	25-2-76	IS	5	IS	4-12-75	HE 140M IPE 360 ADDED PADEYE REPOSITIONED	18/12/75	IS	SCALE: AS NOTED				SCALE: AS NOTED			
6	IS	17-2-76	20R STIFFS SECT L-L ADDED TO SECTIONS C-C & B-B	25-2-76	IS	6	IS	4-12-75	HE 140M IPE 360 ADDED PADEYE REPOSITIONED	18/12/75	IS	DATE: 30 AUG 74				DATE: 30 AUG 74			
7	IS	17-2-76	20R STIFFS SECT L-L ADDED TO SECTIONS C-C & B-B	25-2-76	IS	7	IS	4-12-75	HE 140M IPE 360 ADDED PADEYE REPOSITIONED	18/12/75	IS	DWG NO: ELN 2144				DWG NO: ELN 2144			
8	IS	17-2-76	20R STIFFS SECT L-L ADDED TO SECTIONS C-C & B-B	25-2-76	IS	8	IS	4-12-75	HE 140M IPE 360 ADDED PADEYE REPOSITIONED	18/12/75	IS	SHEET NO: 203				SHEET NO: 203			
9	IS	17-2-76	20R STIFFS SECT L-L ADDED TO SECTIONS C-C & B-B	25-2-76	IS	9	IS	4-12-75	HE 140M IPE 360 ADDED PADEYE REPOSITIONED	18/12/75	IS	UNIT 'A' DRILLING DECK FRAMING				UNIT 'A' DRILLING DECK FRAMING			

**ELF-NORGE A/S**  
**NORWAY**

**DRILLING PLATFORM NO.2**

NORTH SEA FRIGG FIELD W.D. 100 M

**McDERMOTT - HUDSON**  
 LONDON - ENGLAND