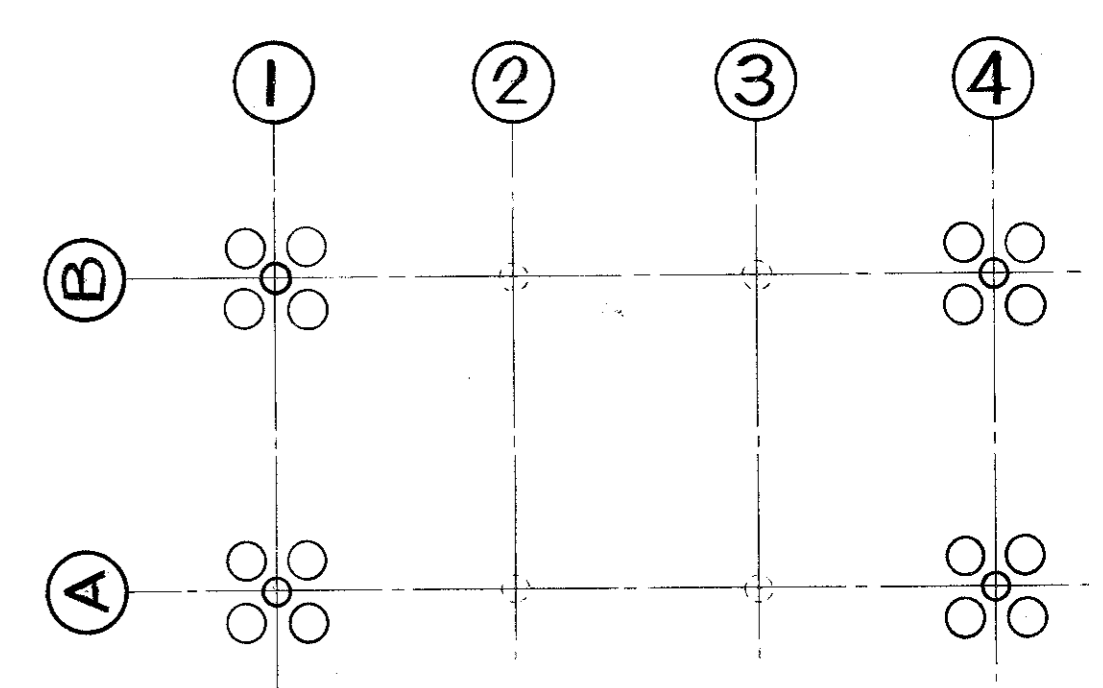


PLANT NORTH

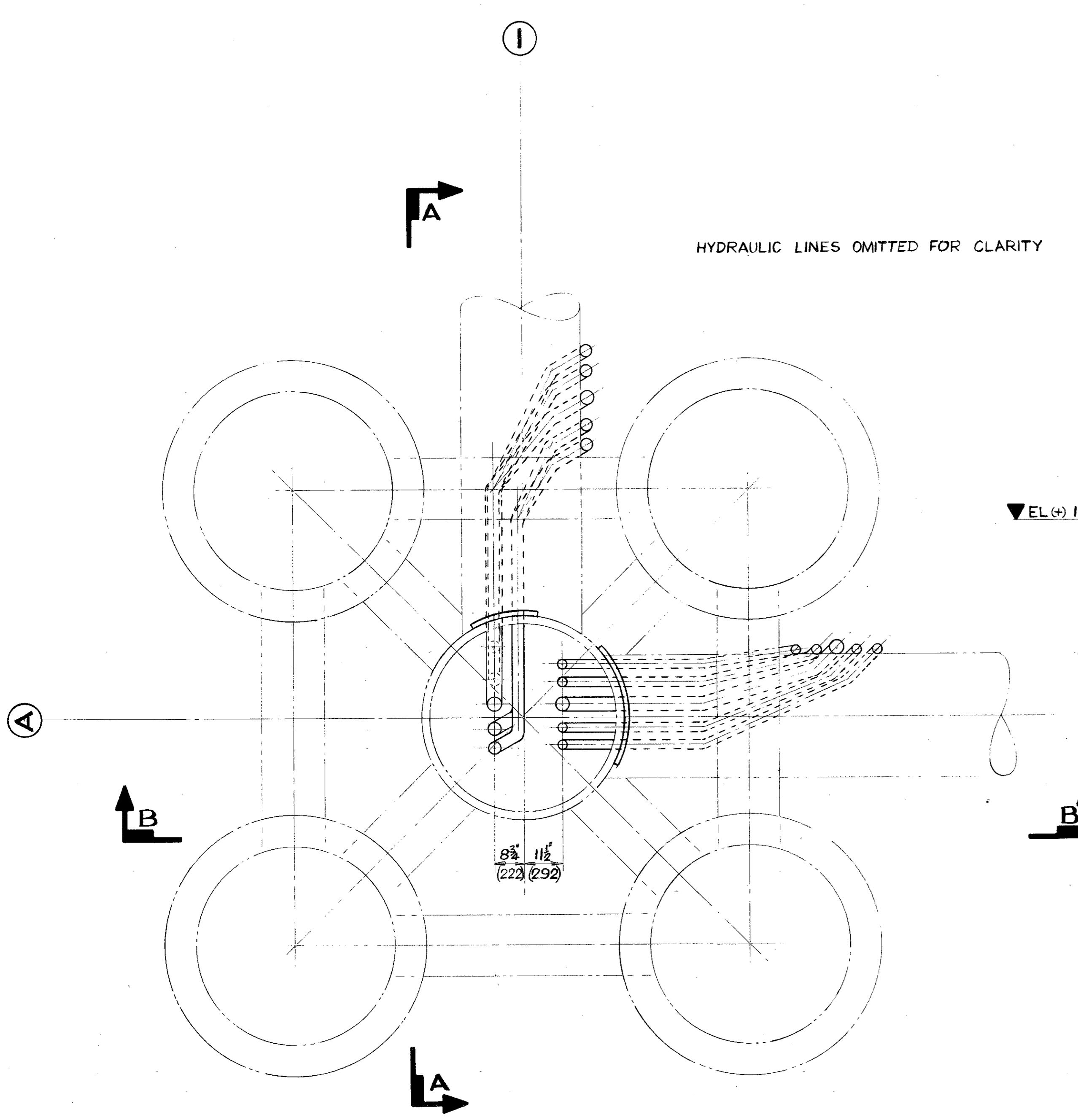


KEY PLAN

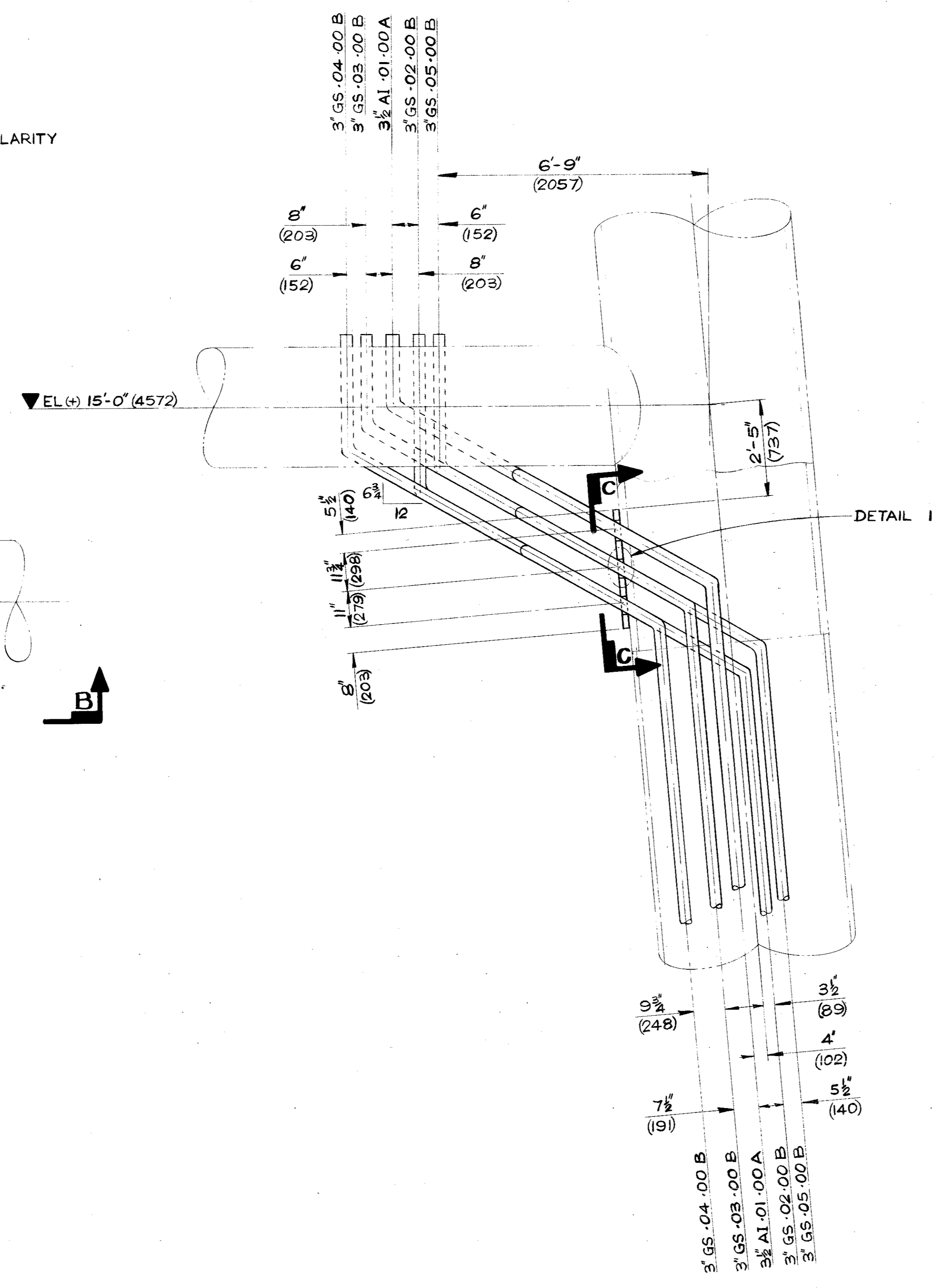
NOTES:-

- 1. DIMENSIONS IN BRACKETS ARE METRIC EQUIVALENTS IN MILLIMETRES.
- 2. ALL MATERIAL TO BE HIGH STRENGTH STEEL

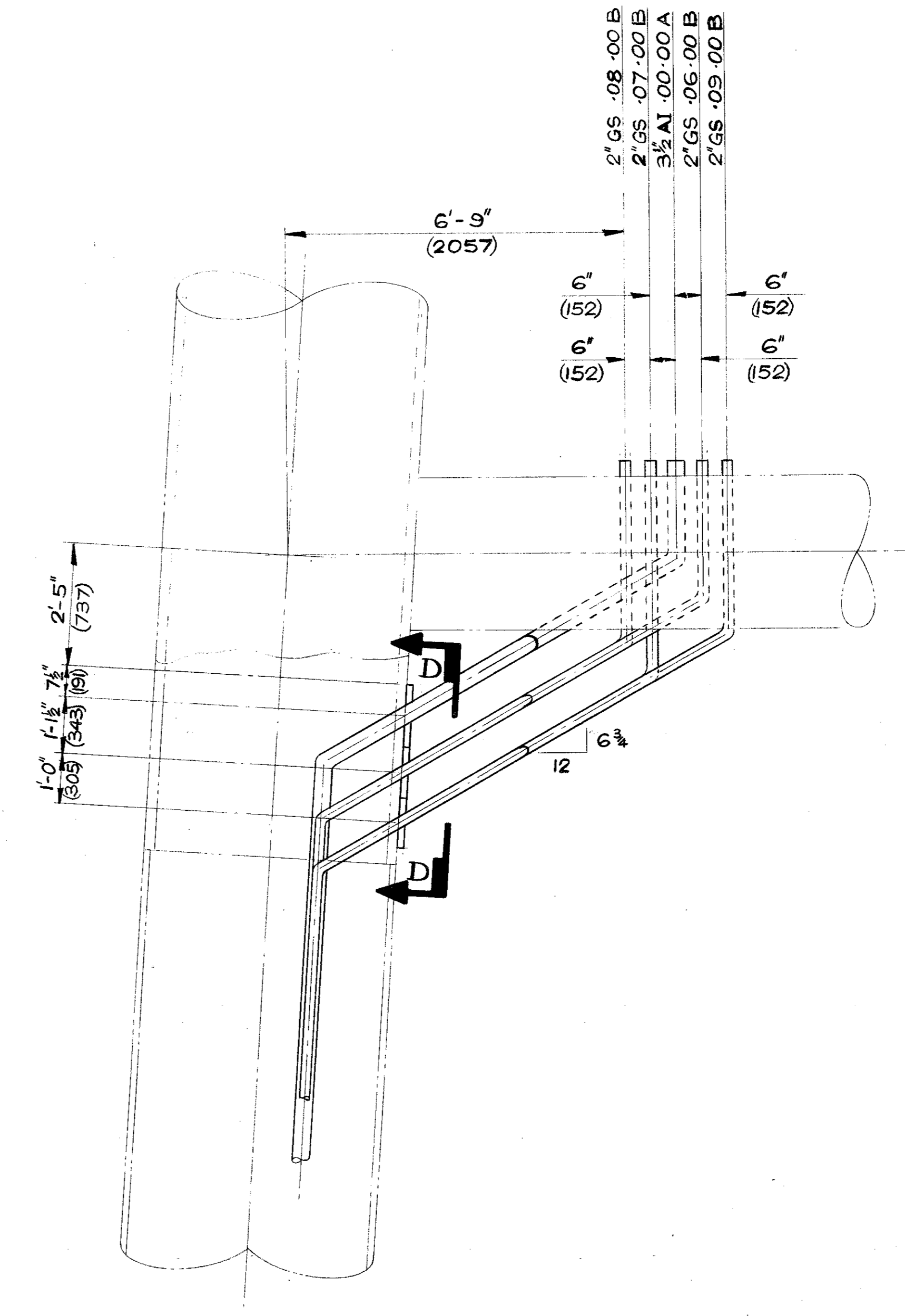
REFERENCE DRAWINGS



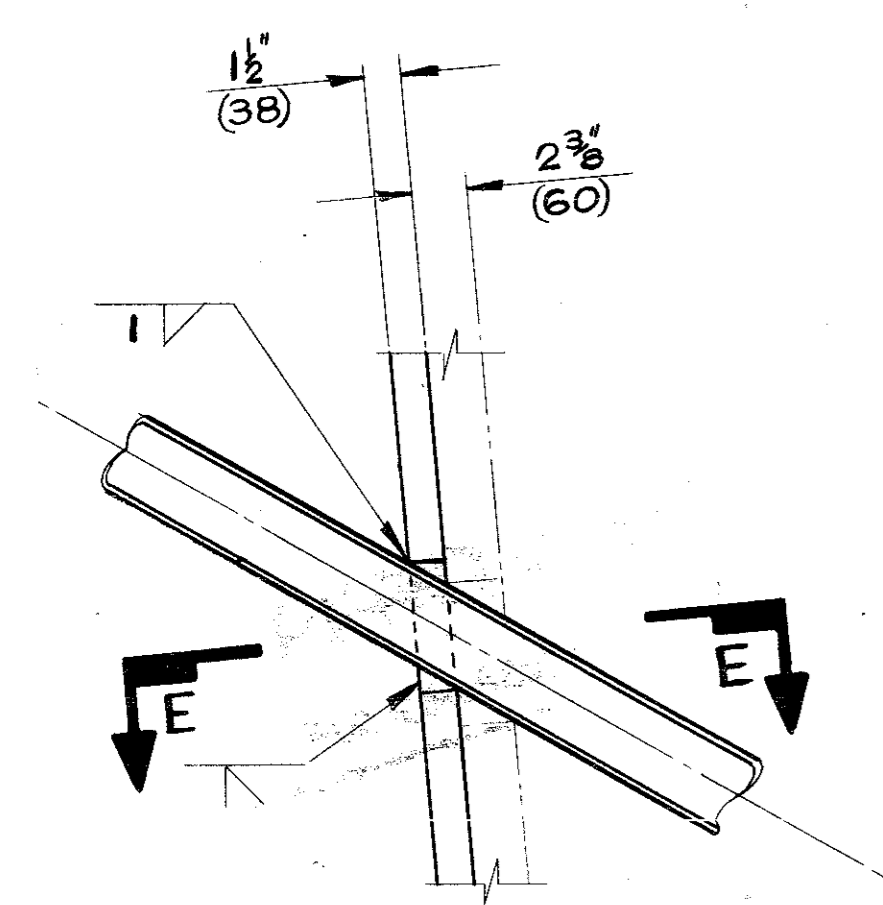
LEG A1
TYP. ALL CORNER LEGS.
SCALE 1/2 : 1'-0"



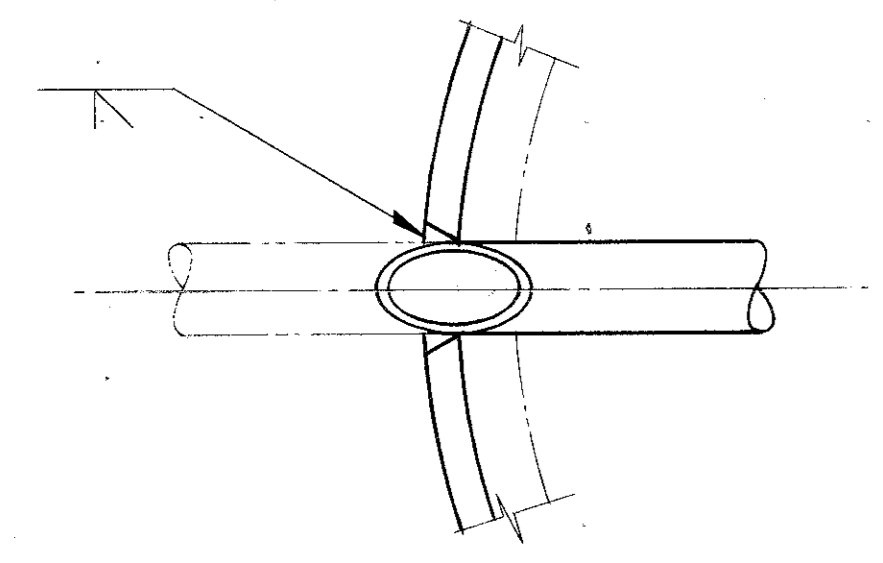
SECTION A-A
SCALE 1/2 : 1'-0"



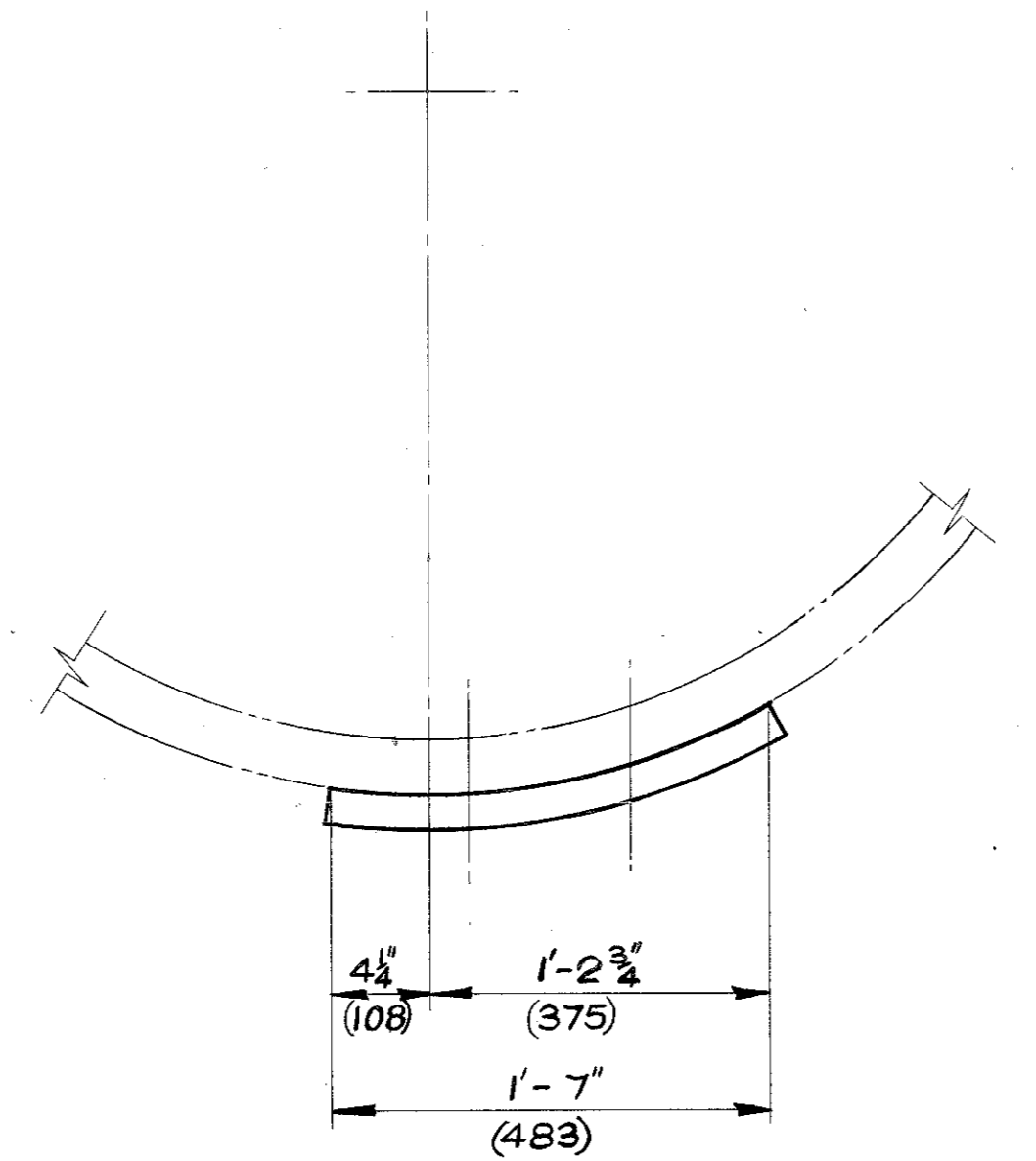
SECTION B-B
SCALE 1/2 : 1'-0"



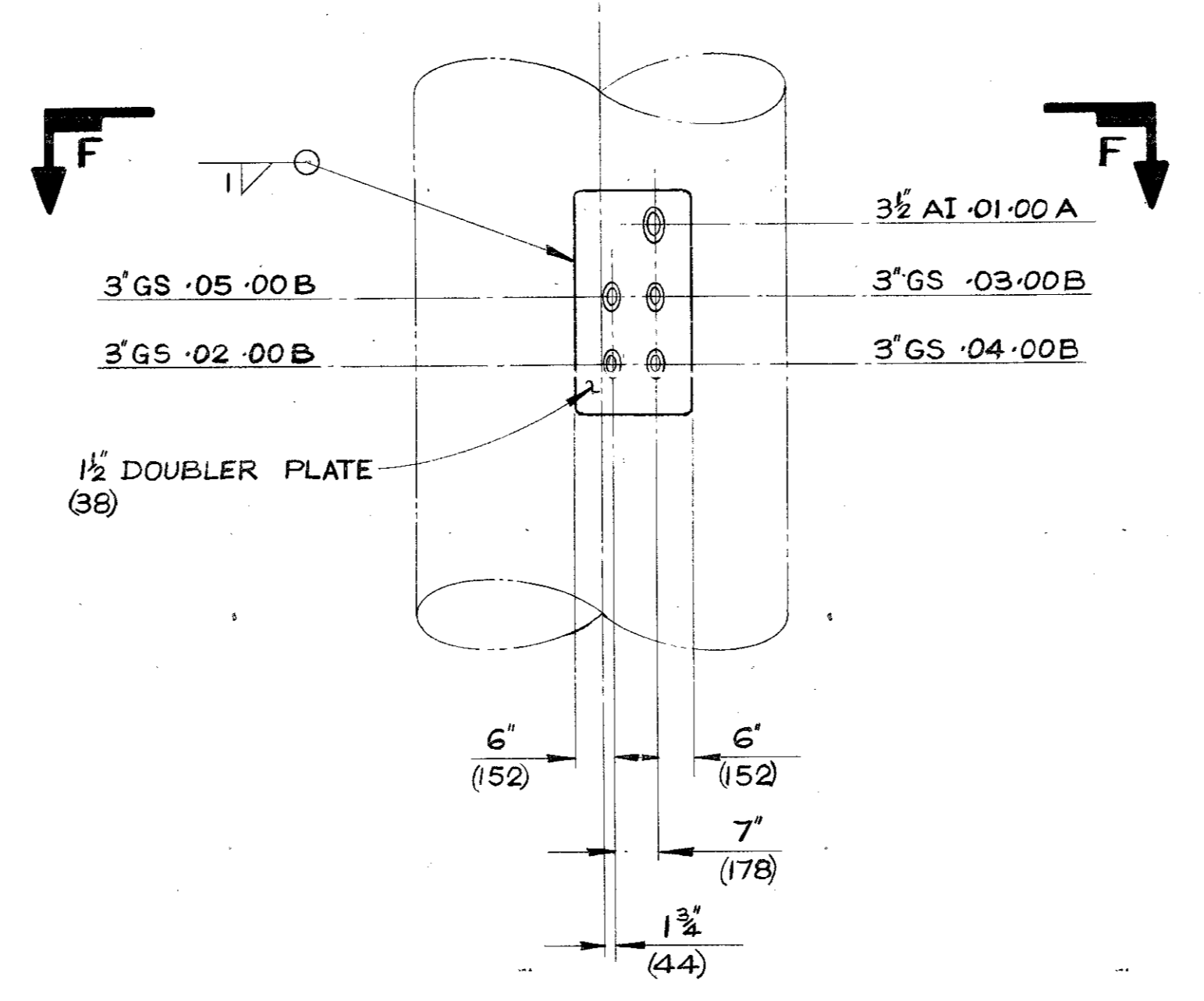
DETAIL I
SCALE 1 1/2 : 1'-0"



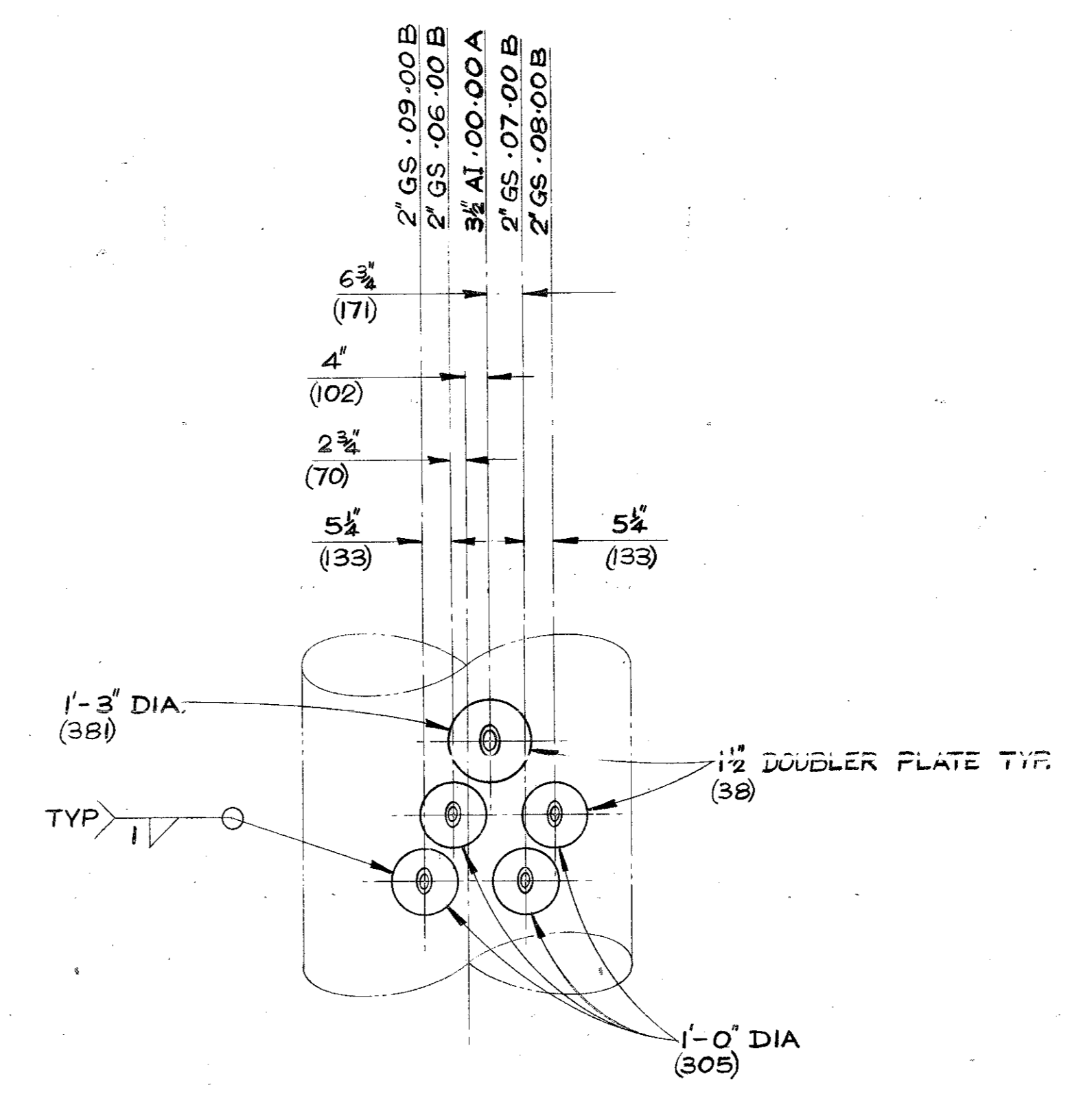
SECTION E-E
SCALE 1 1/2 : 1'-0"



SECTION F-F
SCALE 1 1/2 : 1'-0"



SECTION C-C
SCALE 1/2 : 1'-0"



SECTION D-D
SCALE 1/2 : 1'-0"

APPROVED
25 JUL 74

elf norge as
dwg no: FF 931/210.038
REV: 0 DATE: 10.10.74

<p>elf norge as dwg no: FF 931/210.038 REV: 0 DATE: 10.10.74</p>		<p>ELF-NORGE A/S NORWAY</p>	
<p>24 WELL SELF CONTAINED DRILLING PLATFORM No 1</p>		<p>NORTH SEA FRIGG FIELD WD 98 M</p>	
<p>McDERMOTT - HUDSON LONDON - ENGLAND</p>		<p>DRAWN BY: MGRADLEY AS SHOWN DATE: 9-JAN-74 DESIGNED BY: MGRADLEY AS SHOWN DATE: 9-JAN-74 CHECKED BY: MGRADLEY AS SHOWN DATE: 9-JAN-74 APPROVED BY: MGRADLEY AS SHOWN DATE: 9-JAN-74</p>	
<p>PROJECT: DRILLING PLATFORM No 1</p>		<p>DWG NO. ELN 2020 SHEET NO. 403</p>	
<p>DOUBLER PLATES TO FLOODING & GROUTING LINES AT EL (+) 15'-0" (4572)</p>		<p>APPROVED BY: MGRADLEY AS SHOWN DATE: 9-JAN-74</p>	

DESIGN	STRUCT	PIPING	ELEC	ME	BY	DATE	REVISIONS	DATE	APP	DESIGN	STRUCT	PIPING	ELEC	ME	BY	DATE	REVISIONS	DATE	APP	