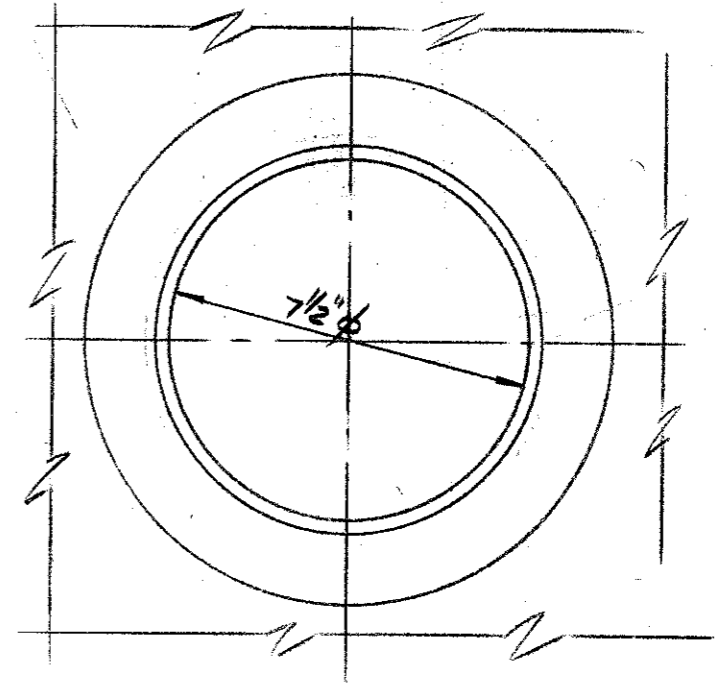
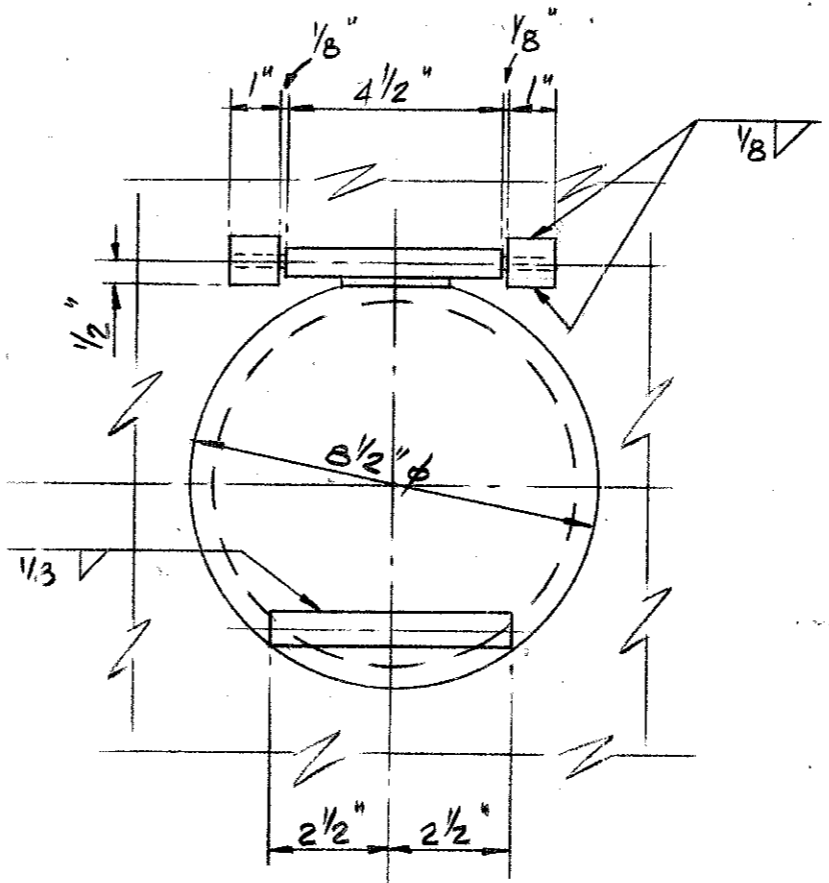
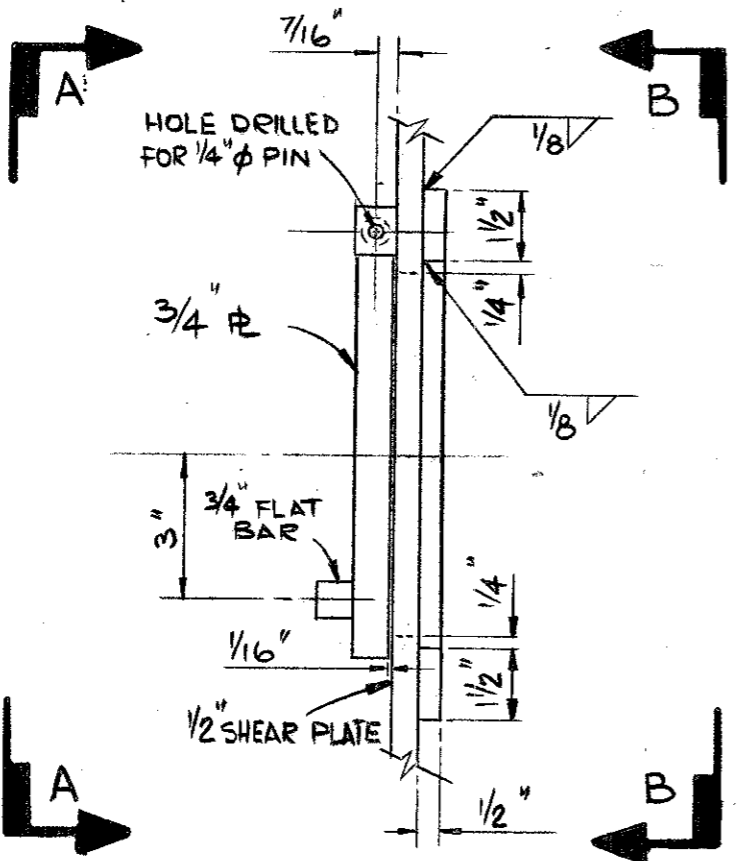


FF. 931.210.100

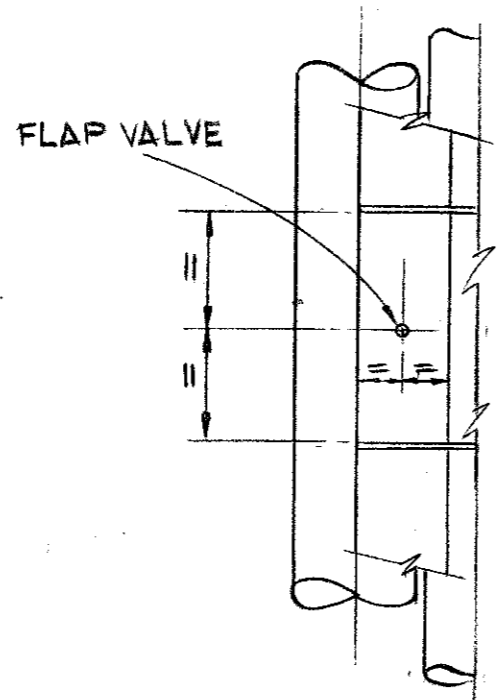
SHEET NO. SK-S-101

DWG. NO. ELN 02020

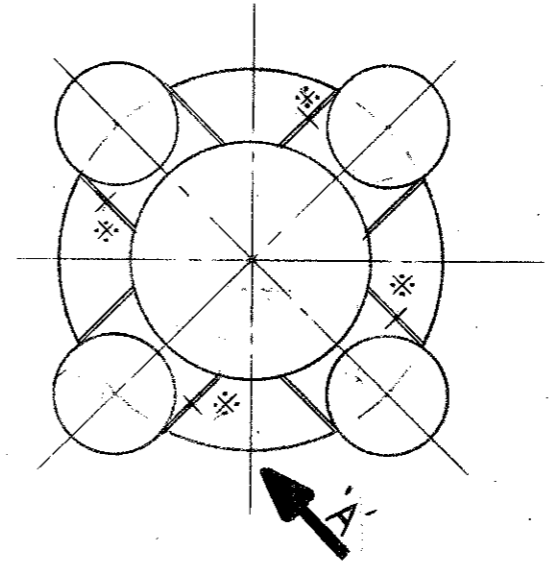


SECTION A-A  
(FROM INSIDE BOTTLE LEG)

SECTION B-B  
(FROM OUTSIDE BOTTLE LEG)



PART VIEW ON ARROW A



PLAN SECTION THRU LEG

elf norge as  
 dwg no: FF. 931.210.100  
 rev. : 0 date: 10.10.74  
 item:

APPROVED  
 25 JUL 1974  
 FOR INSTRUCTION

NO.	BY	DATE	REVISION	DATE	CHK.	APP.

elf norge as  
 dwg no:  
 date:

**McDERMOTT — HUDSON**  
 LONDON — ENGLAND

DATE 1-OCT-73	DRAWN BY <i>A. J. ...</i>	APPROVED: <i>Robert G...</i>
SCALE 3"=1'-0" & 1/8"=1'-0"	CHECKED BY	APPROVED:

**DRILL PLATFORM No. 1**

FLAP VALVE FOR BOTTLE LEGS TO REPLACE 2"Ø CHECK VALVES.	DWG. NO. ELN 02020 SHEET NO. SK-S-101
---	--

