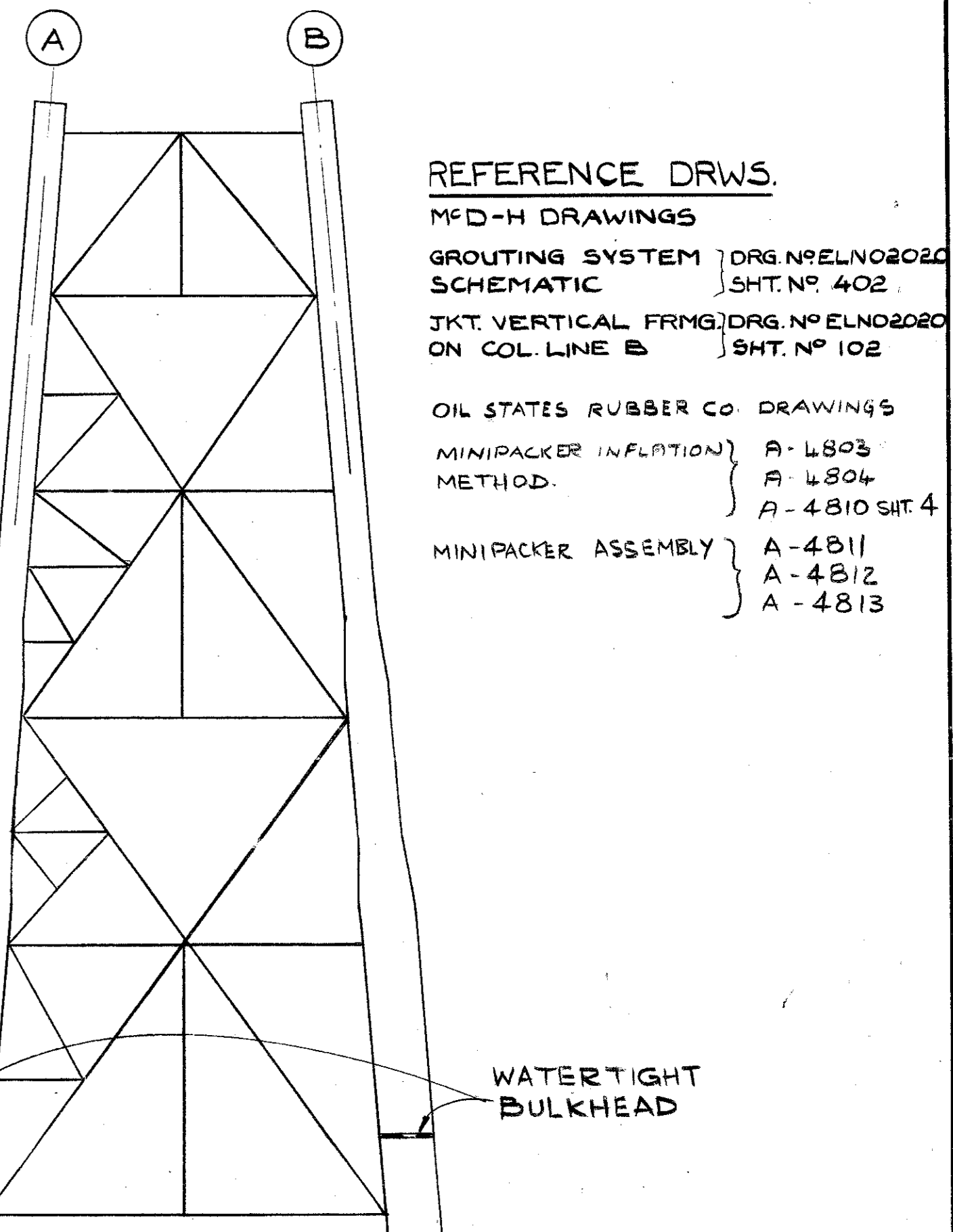
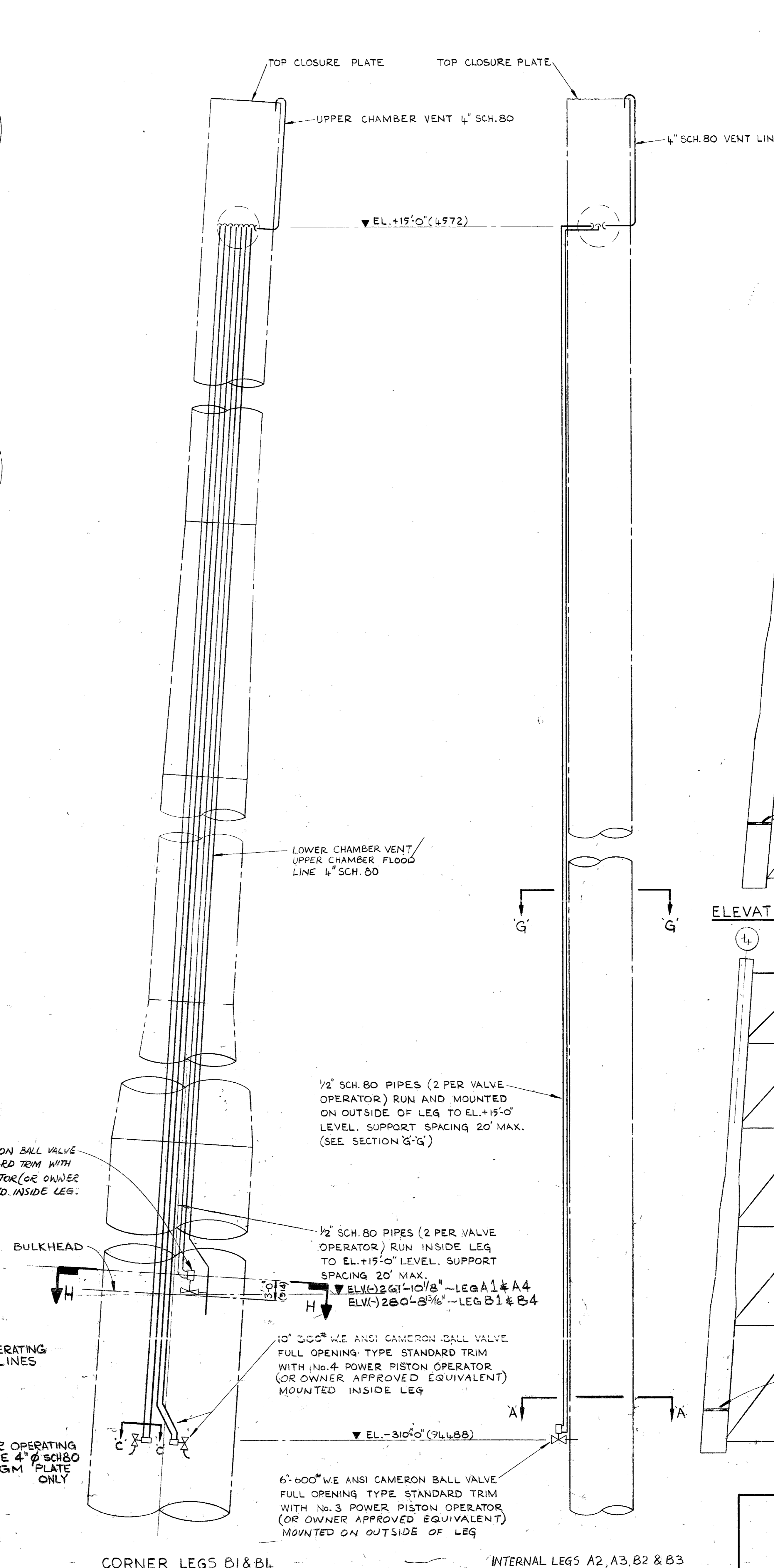
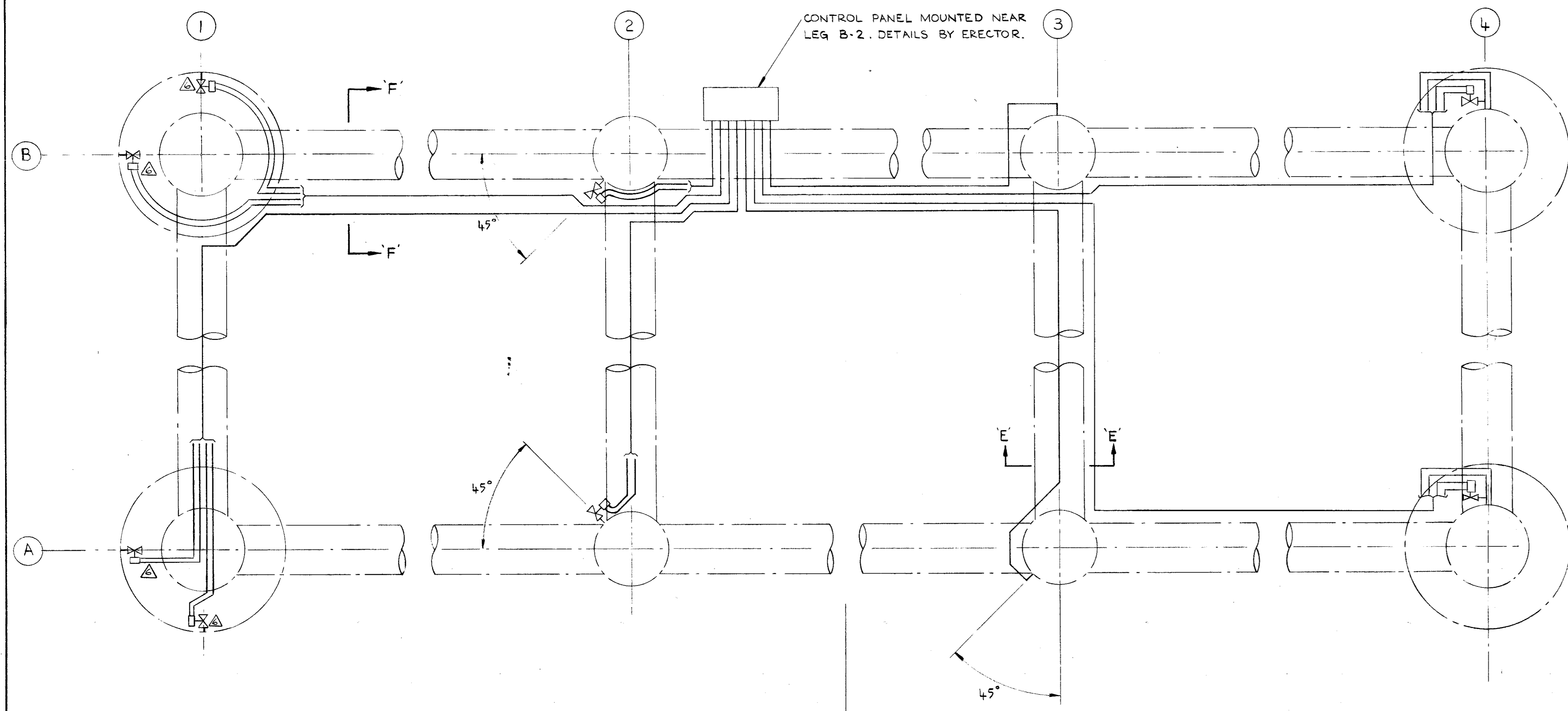
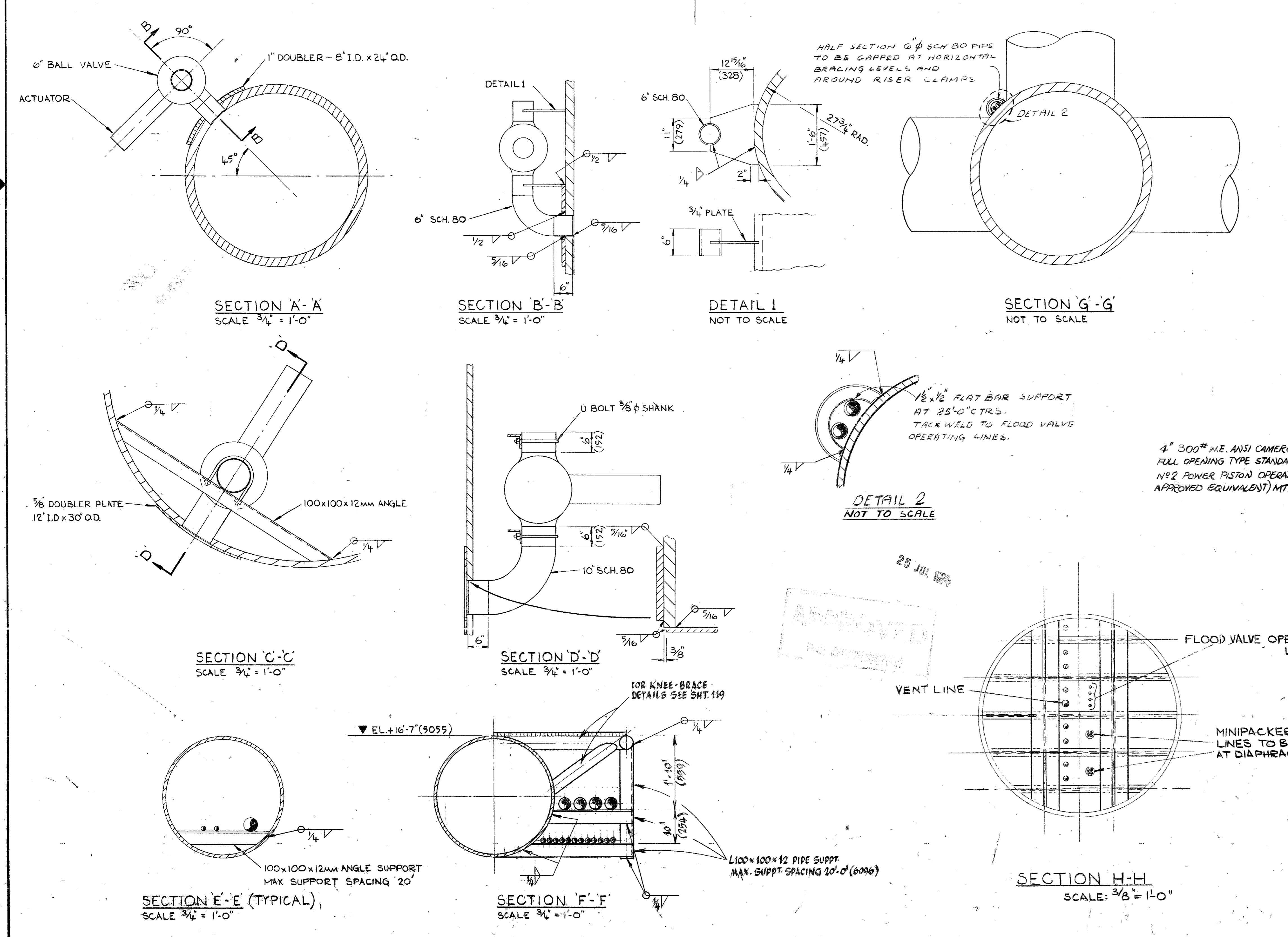


- NOTES**
1. ALL DOUBLERS - HIGH STRENGTH STEEL
ALL PIPE - API 5L GRADE B EXCEPT AT SHELL PENETRATIONS AT SHELL PENETRATIONS A SECTION (LENGTH EQUAL TO SHELL THICKNESS (t)) ON EITHER SIDE OF LOW TEMPERATURE SERVICE PIPE ASTM A-333 OR OWNER APPROVED EQUIVALENT SHALL BE PROVIDED
 2. ALL PIPE 4" AND LARGER TO BE BUTT WELDED ALL PIPE SMALLER THAN 4" TO BE MADE UP WITH SOCKET WELD FITTINGS
 3. FABRICATOR TO ROUTE PIPING IN YARD.
 4. ALL CONTROL AND VENT LINES TO BE PRESSURE TESTED TO 300 PSI AFTER COMPLETE, PRESSURE TO BE HELD FOR 1 HOUR WITHOUT DROP
 5. PRIOR TO HOOK UP TO VALVE OPERATORS ALL LINES TO BE BLOWN OUT THOROUGHLY

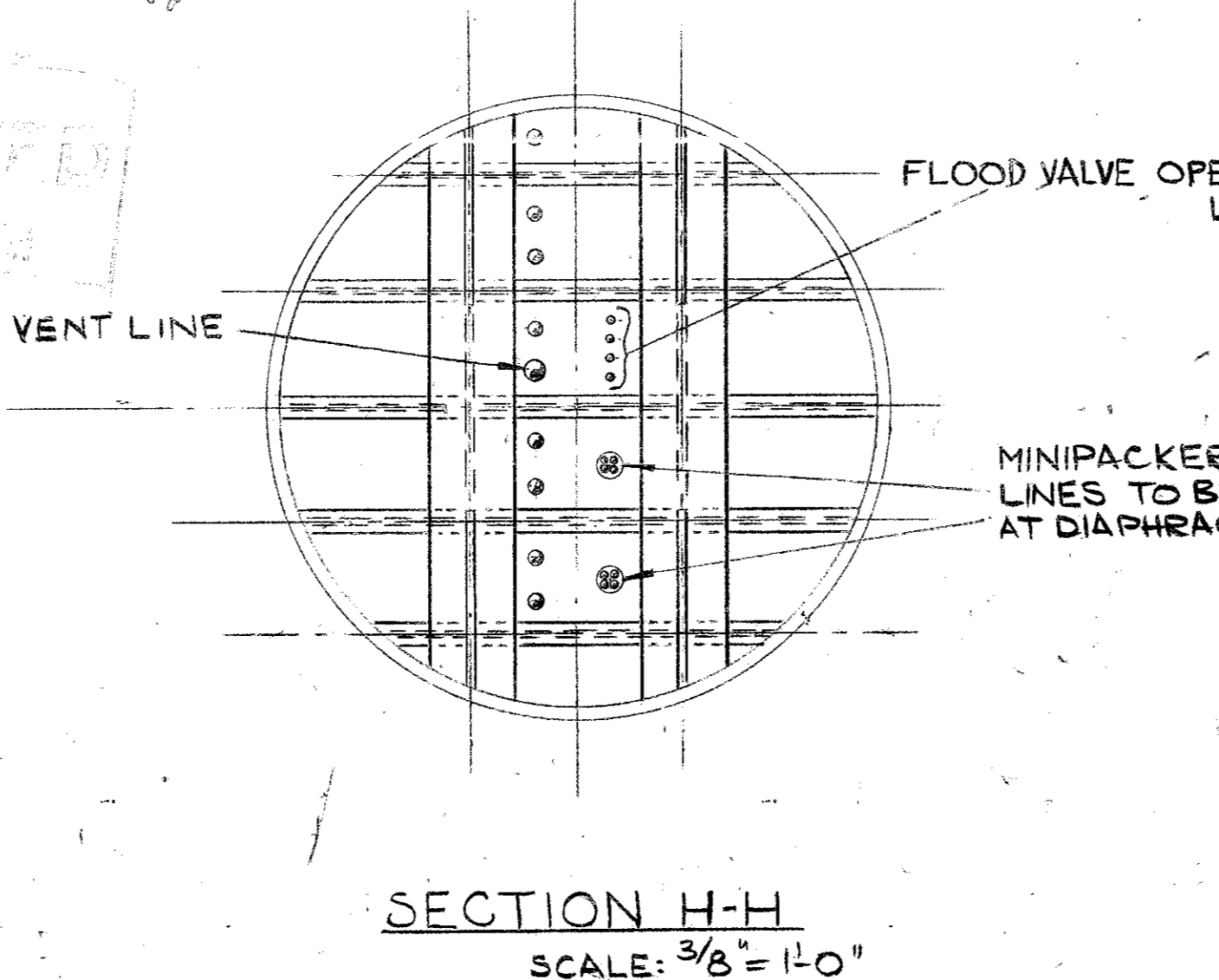


REFERENCE DRWS.
MFD-H DRAWINGS
GROUTING SYSTEM DRG NRELNO2020 SHT. NO. 402
JKT VERTICAL FRMG. DRG NRELNO2020 ON COL. LINE B SHT. NO. 102
OIL STATES RUBBER CO. DRAWINGS
MINIPACKER INFILTRATION } A - L803
METHOD } A - L804
A - 4810 SHT. 4
MINIPACKER ASSEMBLY } A - 4811
A - 4812
A - 4813

PIPING AND VALVES BELOW EL. (+281'-0") SHOWN THIS END VENT PIPING AND VALVES ABOVE EL. (+281'-0") ARE AS MIRROR IMAGE OF THOSE SHOWN AT NORTH END.
VENT PIPING AND VALVES ABOVE EL. (+281'-0") SHOWN THIS END PIPING AND VALVES BELOW EL. (+281'-0") ARE AS MIRROR IMAGE OF THOSE SHOWN AT SOUTH END.



25 JUL 1973
APPROVED
MCDERMOTT - HUDSON



CORNER LEGS B1 & B2
CORNER LEGS A1 & A4 SIMILAR U.N.
INTERNAL LEGS A2, A3, B2 & B3

elf norge as
dwg no: FF 931.200.001
REV: 0 DATE: 10.10.74
ITEM:
WATERTIGHT BULKHEAD

ELF-NORGE A/S NORWAY
24 WELL SELF CONTAINED
DRILLING PLATFORM No 1
NORTH SEA FRIGG FIELD WD 98 M
MCDERMOTT - HUDSON
LONDON - ENGLAND
ENGINEERS APPROVAL
PROJECT: DRILLING PLATFORM No 1
SCALE: NONE
DATE: 10-3-1973
DWG. NO: ELN02020
SHEET NO: 401
DRAWN BY: F. HARMER
DESIGNED BY: R. STAGG
CHECKED BY: [Signature]
FAB. STDS. REQ'D. THIS SHT.

DESIGN	STRUCT	PIPING	ELEC	MK	BY	DATE	REVISIONS	DATE	APP.	DESIGN	STRUCT	PIPING	ELEC	MK	BY	DATE	REVISIONS	DATE	APP.
							6 T.G. 20-07-73										1 BALL VALVES AT EL. (+310'-0") RE-ORIENTATED	11/17/73	
							5 T.G. 20-9-73										2 BULKHEAD EL. LOWERED, PIPING TO COL. A, REMOVED	11/17/73	
							4 CRP 25-8-73										1 10" 300# W.E. ANSI CAMERON BALL VALVE WAS 10" 300# POWER PISTON OPERATOR, CHANGED	11/17/73	