

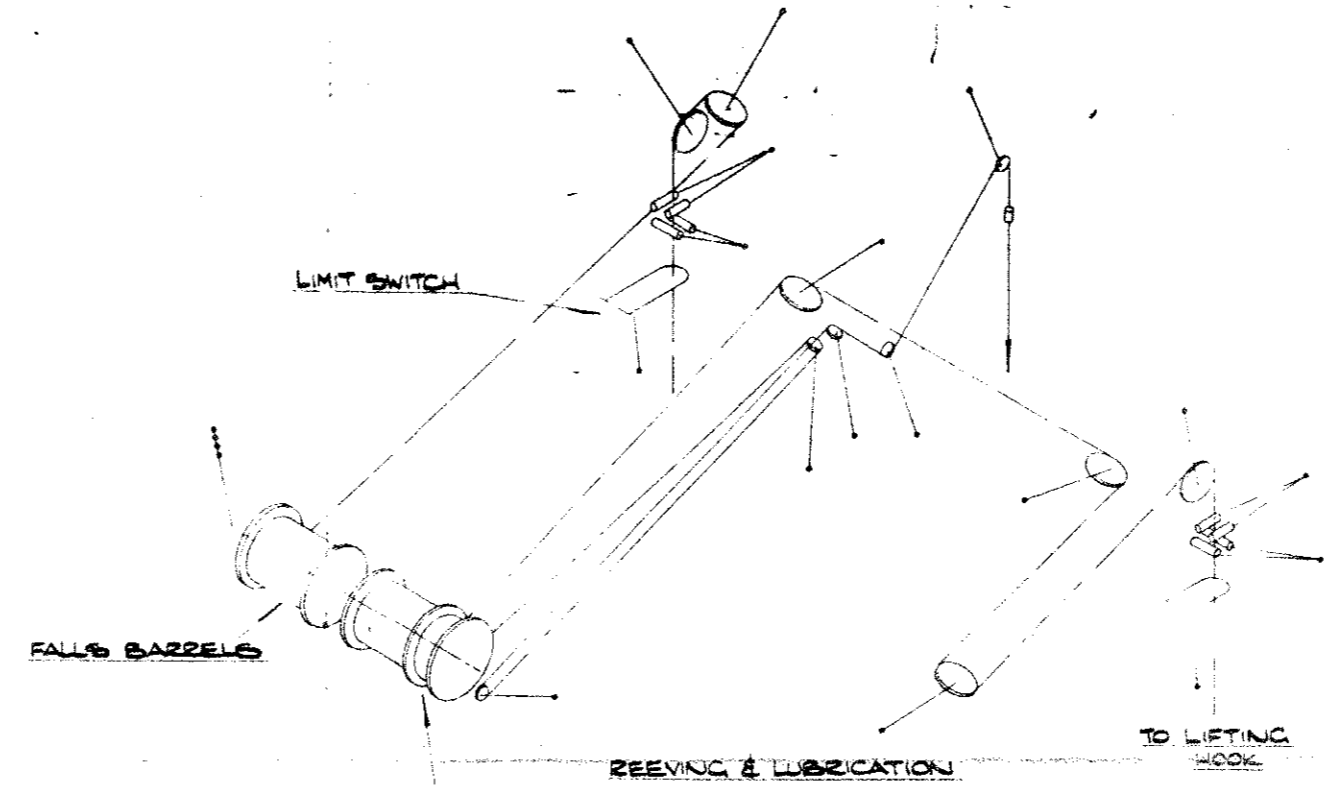
LUBRICATION

GREASE NIPPLES TO BE GREASED ONCE EVERY SIX WEEKS
 SCREWS OF SLIPHOOKS AND TURNBUCKLES TO BE KEPT WELL GREASED
 WINCH CLEARANCE TO BE FILLED TO THE CORRECT LEVEL WITH NON-FREEZING OIL
 GREASE POINTS INDICATED THUS

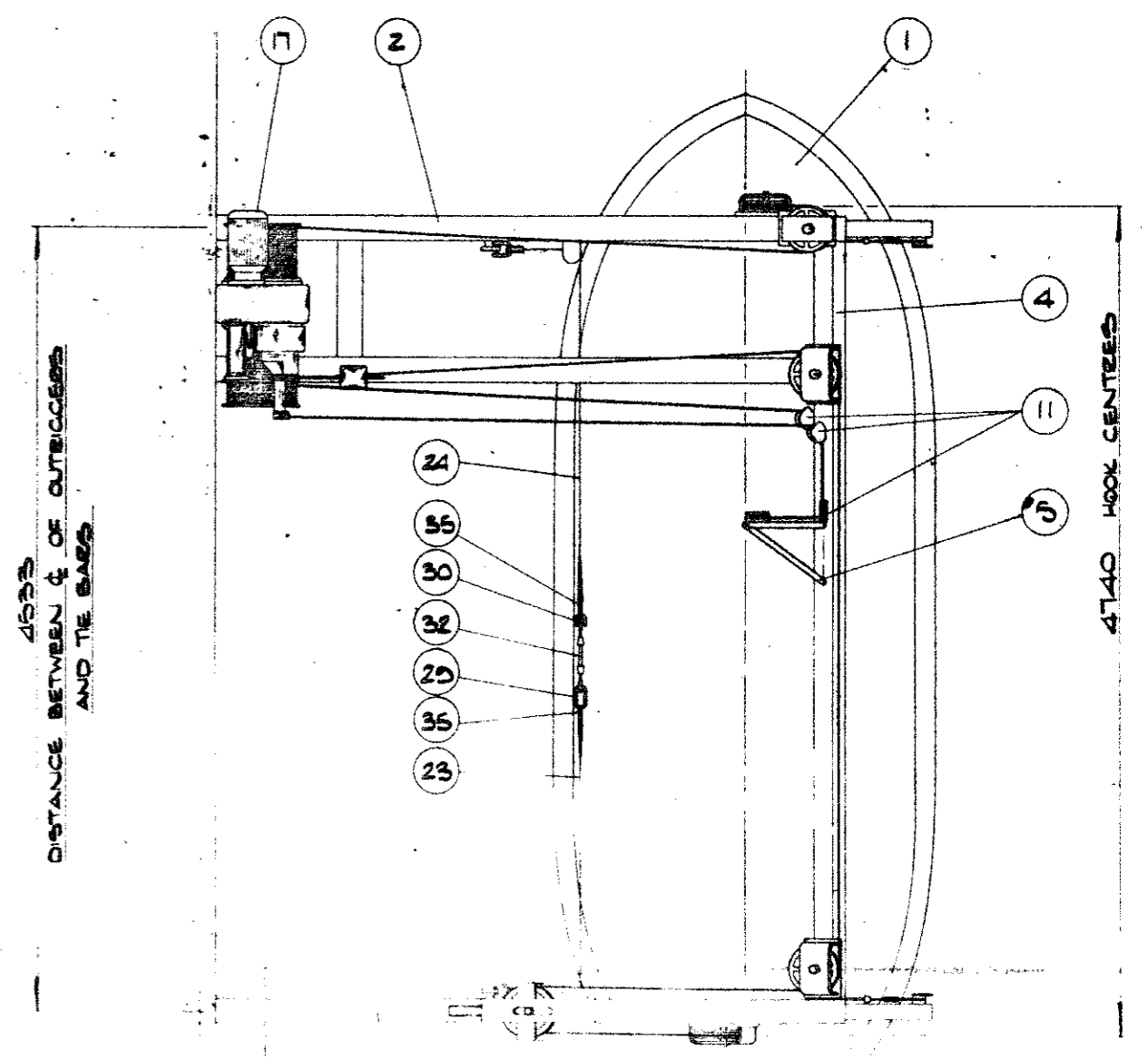
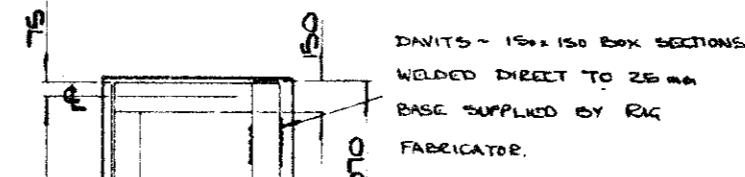
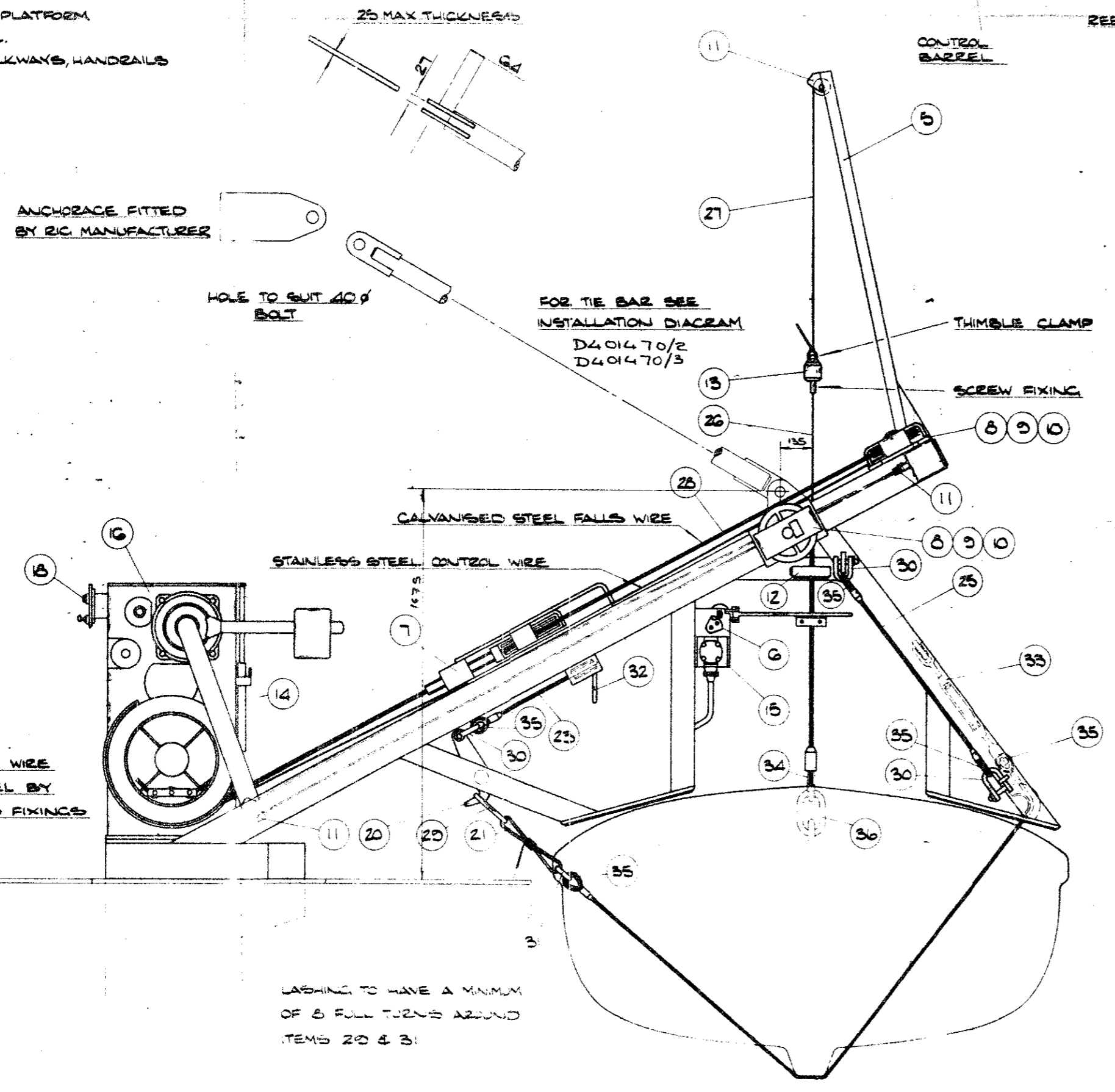
GREASE POINT	Nº OF PER UNIT
FALLS SHEAVE	0
CONTROL SHEAVE	6
GUIDE ROLLER	NONE
LIMIT SWITCH ARM	2
RELEASE LEVER	2
WINCH	4

NOTE

DAVITS TO BE WELDED DIRECT TO RIG/PLATFORM FOUNDATIONS OFFSHORE BY ERECTOR.
 FOUNDATIONS, ACCESS PLATFORMS, WALKWAYS, HANDRAILS



ITEM Nº	PART REF	DESCRIPTION	DIMENSION	S.W.L. LOAD	BREAKING LOAD	REMARKS
1						
2	D40184B	OUTRIGGER (WINCH BASE)				
3	D40184B	OUTRIGGER				
4	D40184E	CROSS-BEAM				
5	5703442	CONTROL ARM				
6	D401605	LIMIT SWITCH HOUSING				
7	D400285	ADJUSTABLE S/HOUSING				
8	574543	SHEAVE				
9	M35323	SHEAVE PIN				
10	M34142	LOCKING PLATE				
11	570305A	CONTROL S/HOUSING				
12	5703743	GUIDE ROLLERS				
13	M35123	CONTROL WEIGHT & CLAMP				
14	M35124	CRANKHANDLE FIXINGS				
15		LIMIT SWITCH				
16		WINCH				
17		ELECTRIC MOTOR				
18		PUSH BUTTON				
19		STARTER				
20	M34200	RELEASE LEVER				
21		LASHING	7MM Ø MANILLA	05	300	
22	M34200	CRUPE BLING	14MM Ø Gx36-PC ON	1050	1000	
23	M35100	CRUPE WIRE	4MM	1050	1000	
24	M35201	CRUPE WIRE	4MM	1050	1000	
25	M35201	PENDANT	4MM	1050	1000	
26		CONTROL WIRE	4MM PLASTIC COVERED	475	885	
27		CONTROL WIRE	4MM G x 19 SS	475	885	
28		FALLS WIRE	14MM Ø Gx36-PC ON	2250	2300	
29		LONG LINC	Ø x 1/4 x 8/8 Ø	2250	1341	
30	L 503	SHACKLE SMALL Ø	1/2 Ø PIN	1000		
31	L 503	TRIANGLE	3" x 3" x 3" x 5/8"	1000	11370	
32	L 501	SLIPHOOK	3/4" WHIT SCREW THRD	1000	9125	
33	L 547	TURNBUCKLE	1/2" WHIT SCREW THRD	2201	15205	
34	L 540	THIMBLE FALLS	1 1/2" Ø			
35	L 518	THIMBLE	1 1/2" Ø			
36	M34200A	SUSPENSION LINK	Ø x 2 1/2 x 1 1/2 Ø	3750	22500	
37						



P.O. 2111 - 45 - R01 - P.O.005 ITEM M2

FINAL CERTIFIED DRAWING

ON ACCOUNT OF

TRANSPORTATION TOTAL 1174 KM

SCHAT DAVITS LONDON

GENERAL ARRANGEMENT OF RESCUE BOAT DAVIT

DRG No F. 102207A