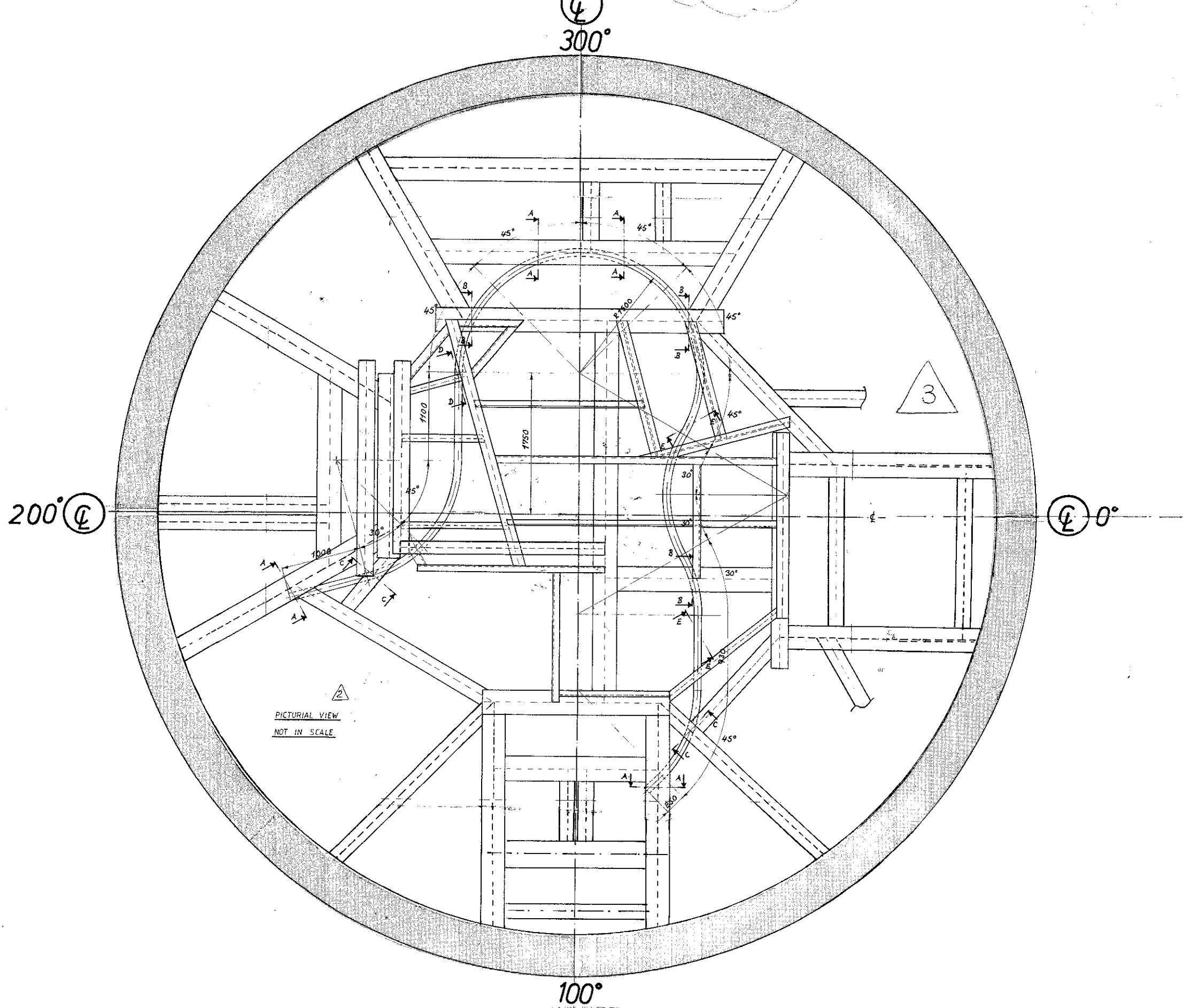
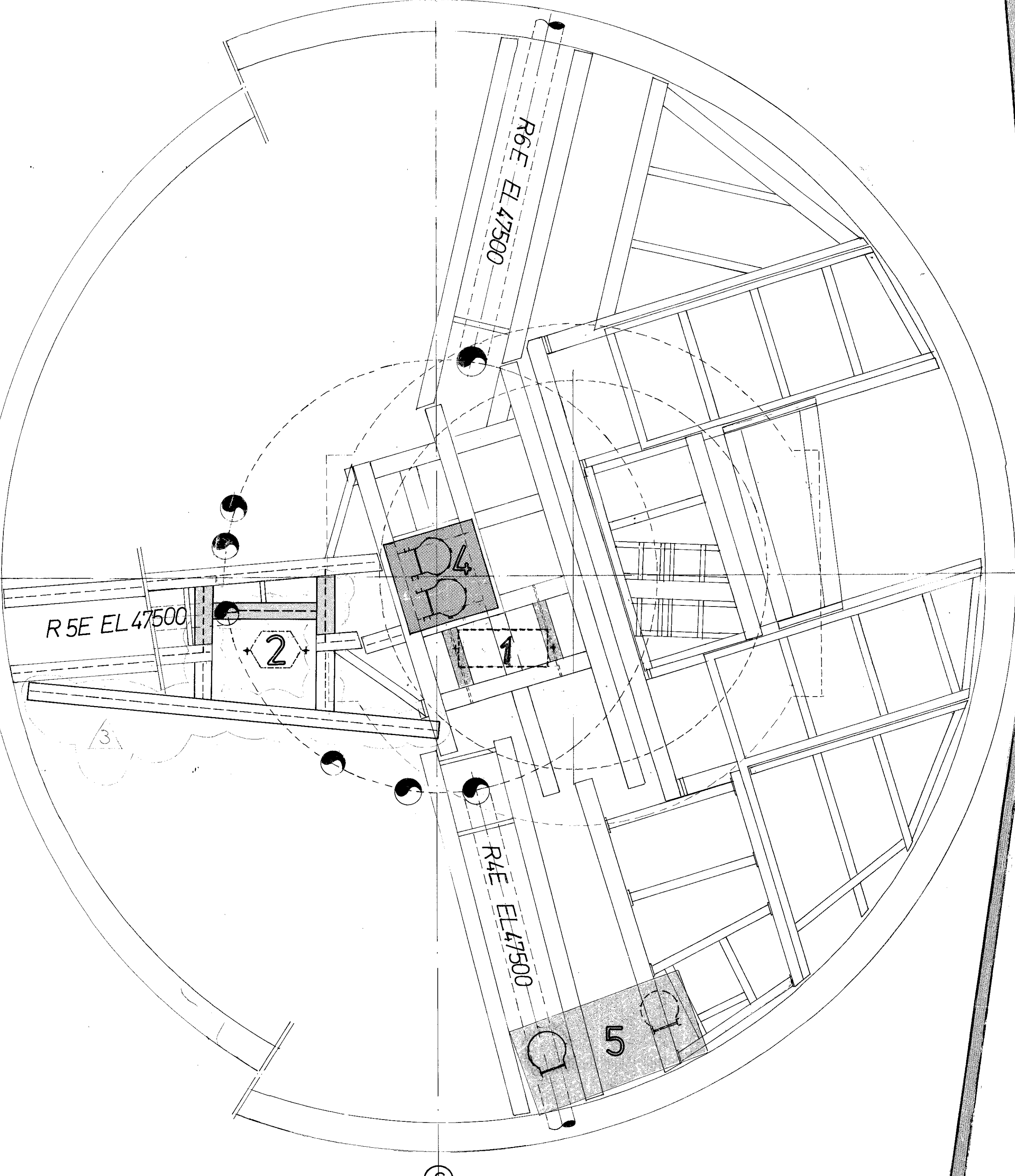
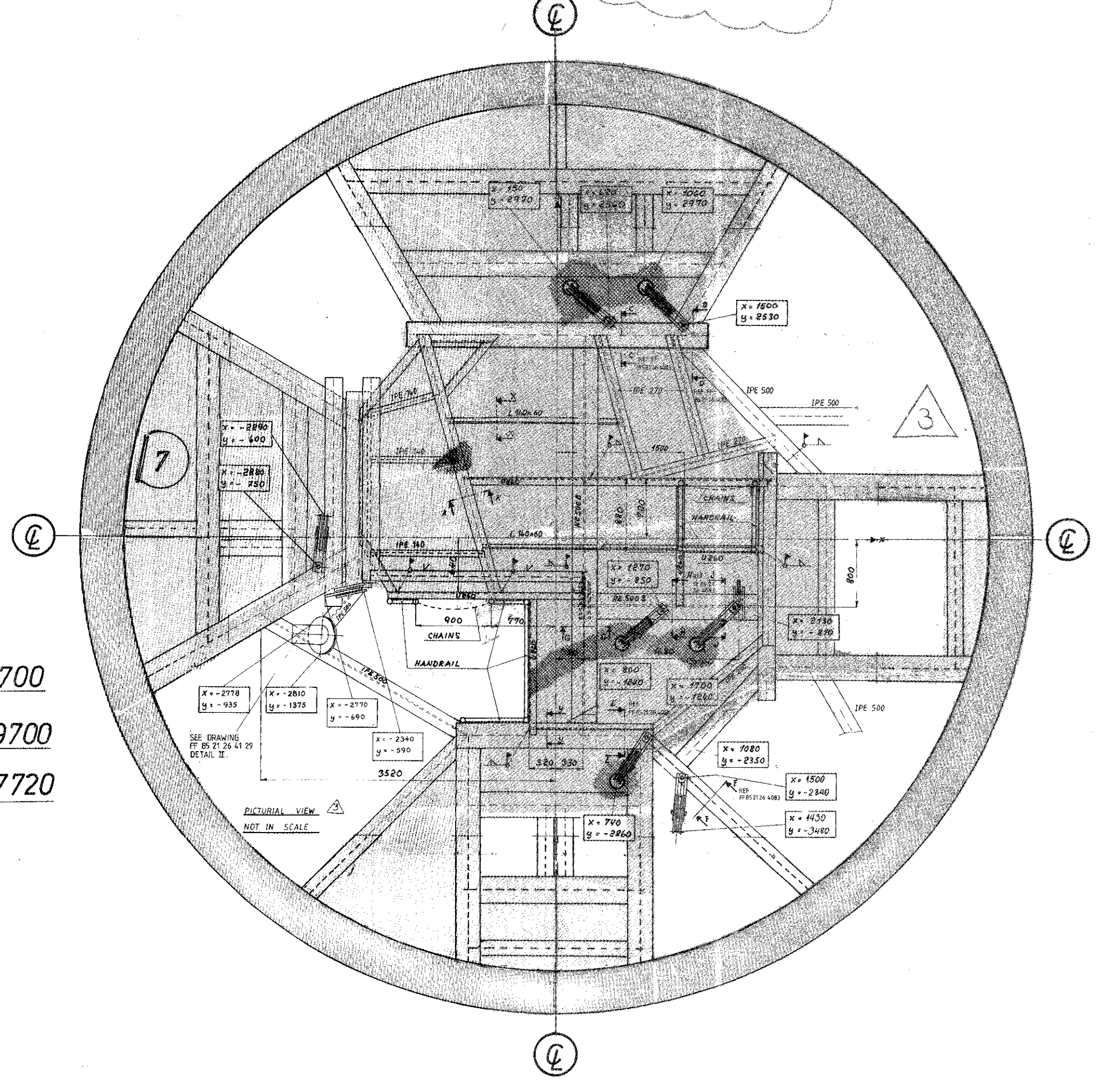


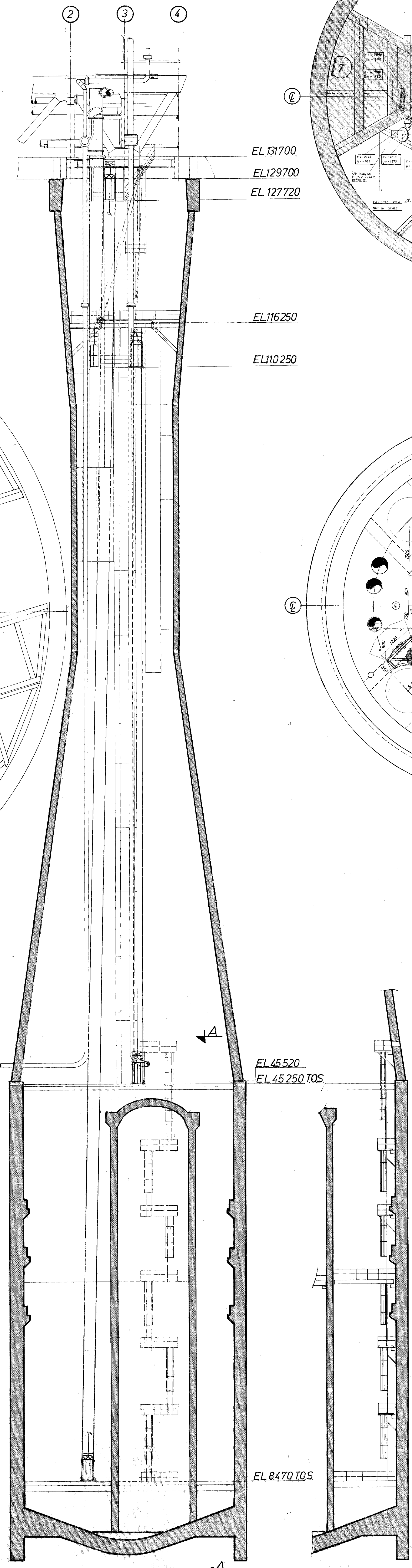
PLAN VIEW EL 115600



PLAN VIEW EL 116520 T.O.S. / 116250 T.O.S.

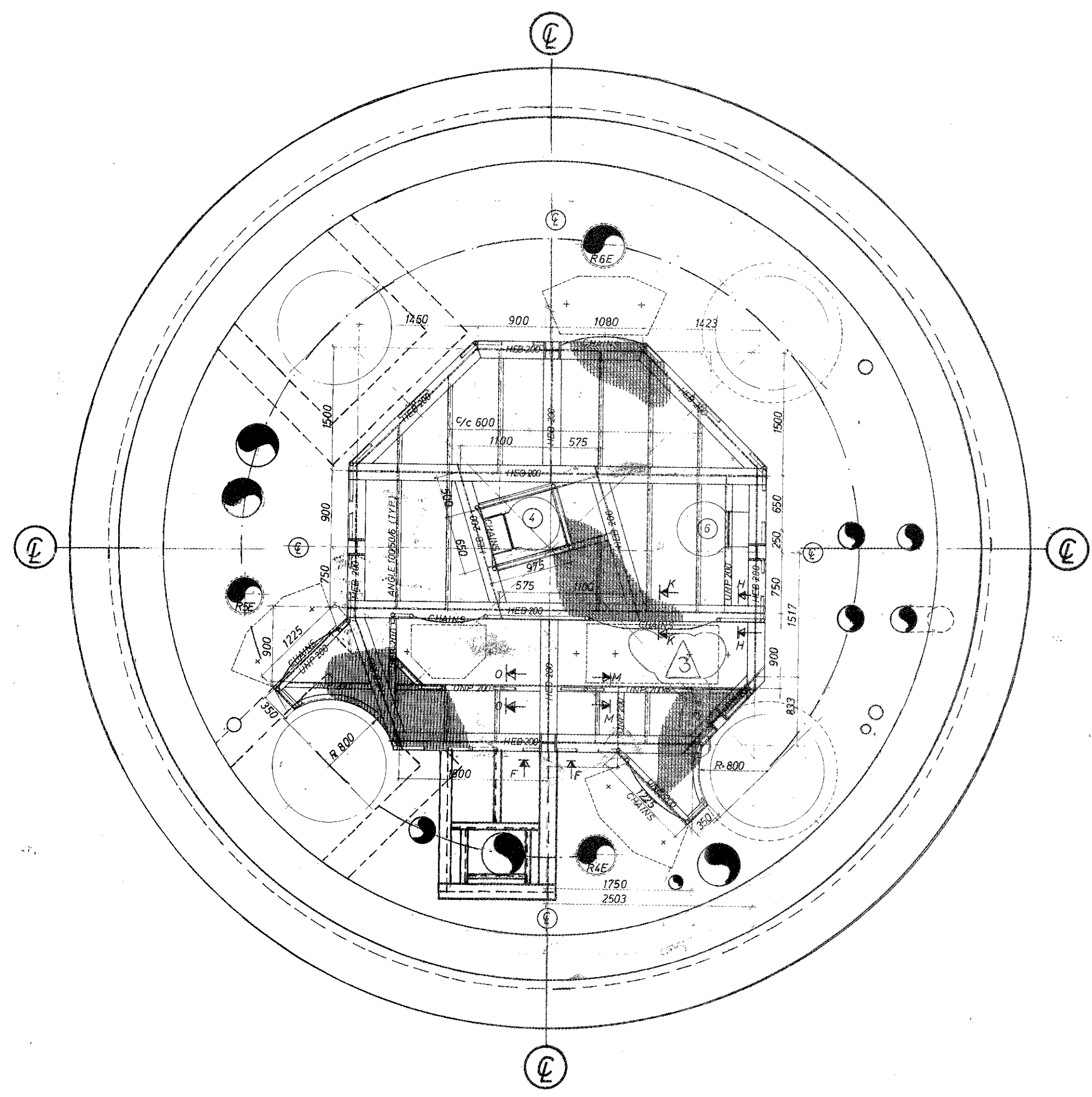


PLAN VIEW EL 45250 T.O.S.

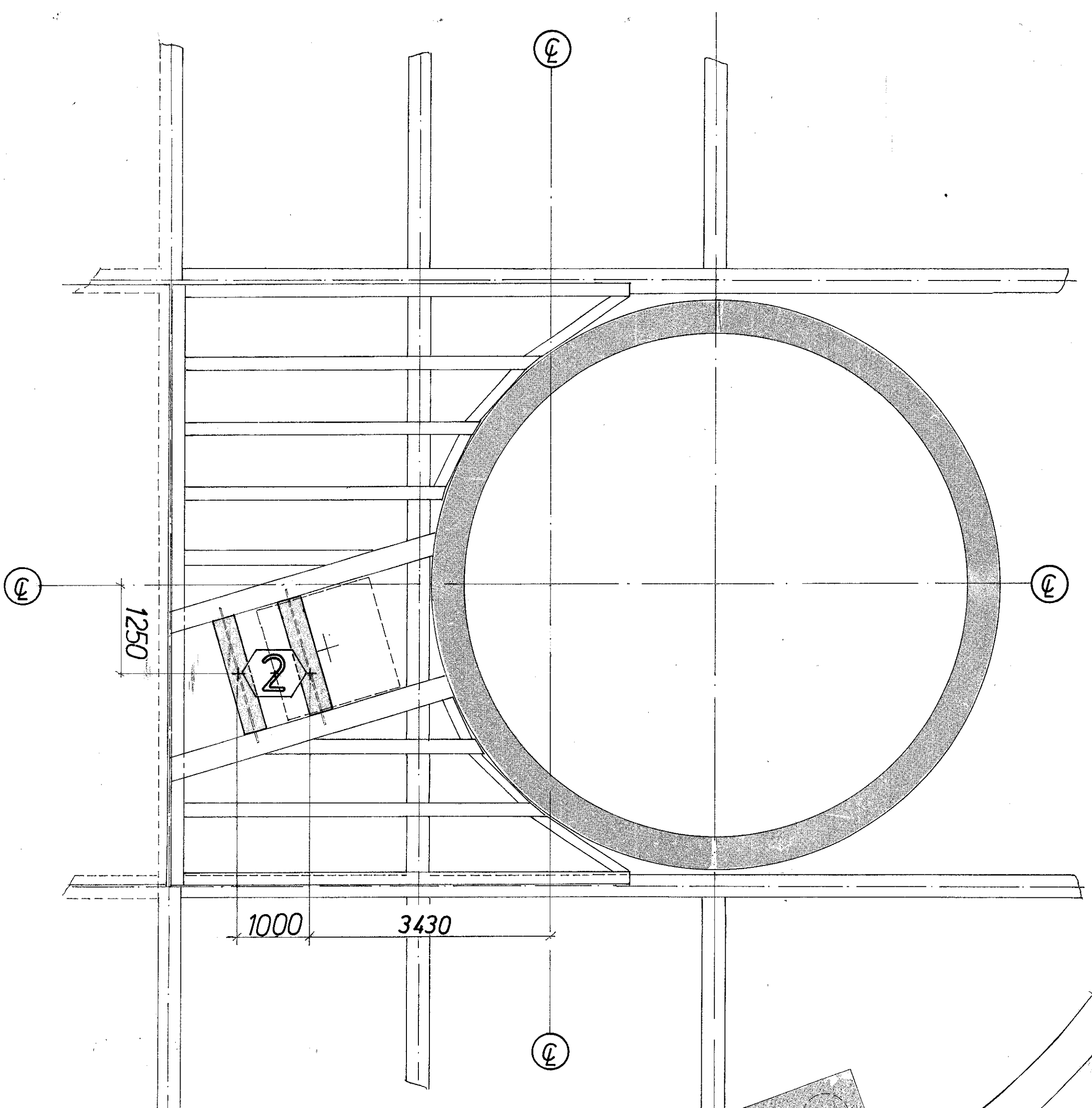


Scale 1:150

PLAN VIEW EL 110250 T.O.S.



Scale 1:50



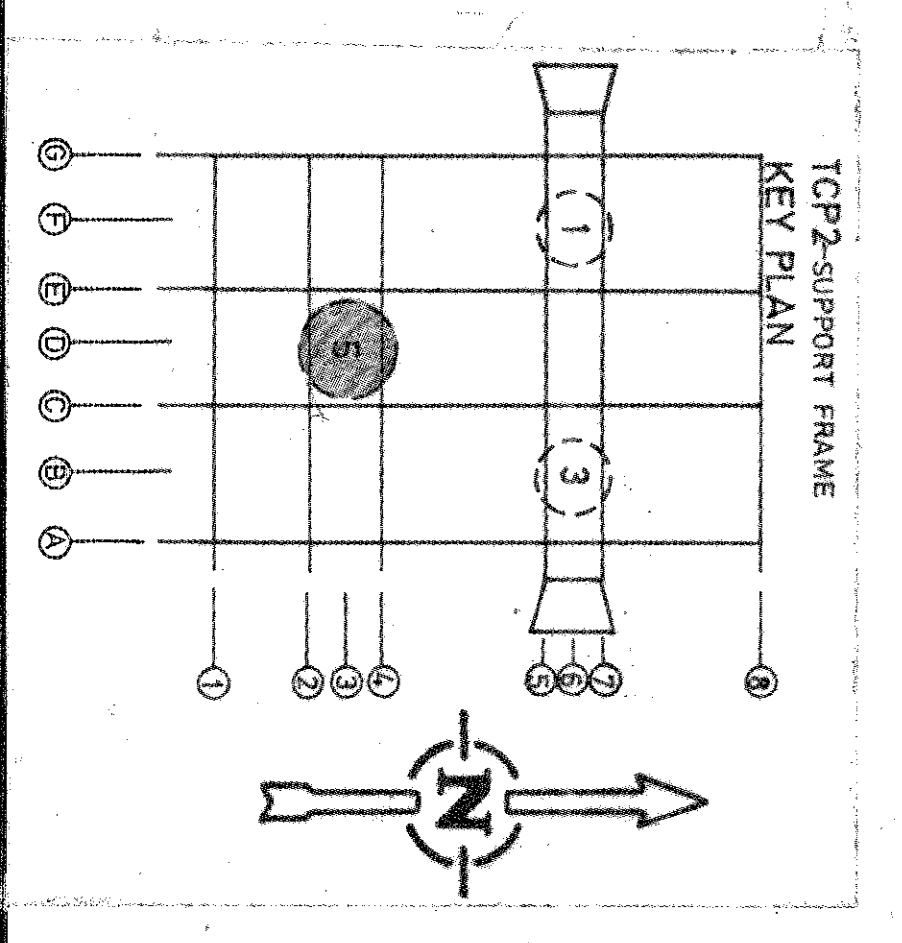
PLAN VIEW EL 8470 T.O.S.

Scale 1:50

GENERAL NOTES:

- 1: Main access from EL 110 250 to EL 45250
- 2: Emergency access from EL 127.720 to EL 84.70
- 3: Inspection access from EL 110 250 to EL 45.250
- 4: Ladder access from EL 110 250 to EL 45.250
- 5: Ladder access from EL 45.250 to EL 84.70
- 6: Ladder access from EL 116.250 to EL 110.250
- 7: Ladder access from EL 131.700 to EL 116.250
- 8: Stair access from EL 131.700 to EL 127.720

For other notes see dwg FF 85 21 26 4045  
 REFERENCE DRWGS.: FF 85 21 26 4093



elf aquitaine norge as  
**APPROVED FOR CONSTRUCTION**  
 NAME: D. SOLVBERG  
 SIGNATURE: DS

rev.	date	DESCRIPTION	by	app.
4	6.12.88	EL 110 250 T.O.S. UPDATED	S.S.B	
3	05.08.86	UPDATED	R.D.	
2	20.12.83	AS BUILT	CP	
1	15/6-82	ISSUE FOR CONSTRUCTION	D.S. D.S.	
0	27/2-81	first issue	D.S.	

	elf aquitaine norge as p.o.box 188 - 4001 Stavanger	
	Installation	System
	TCP-2	STRUCTURAL
	GENERAL ARRANGEMENT	
Job no.	MR 85078	
Scale	1:150	
Drwg. no.	FF 85 21 26 4046	
Rev.	4	Sheet