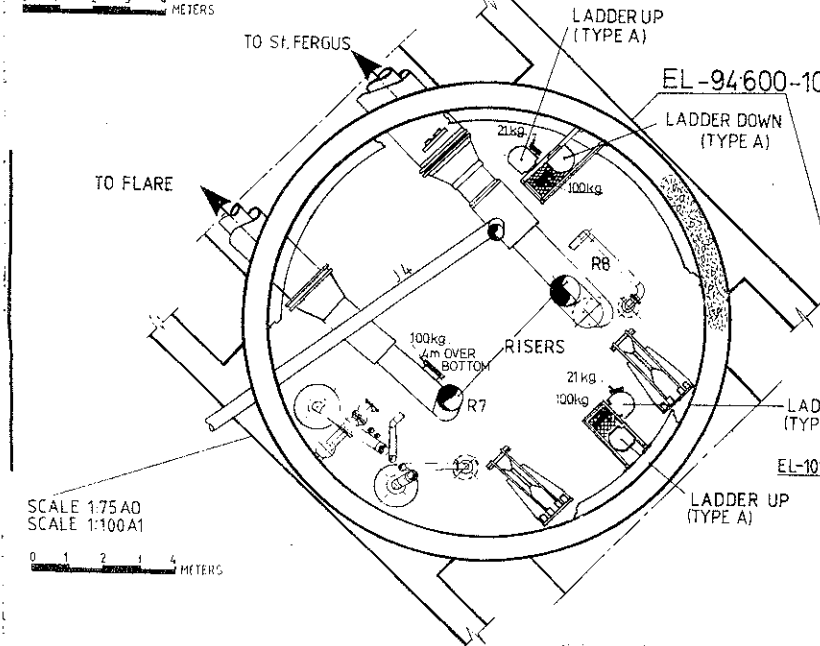
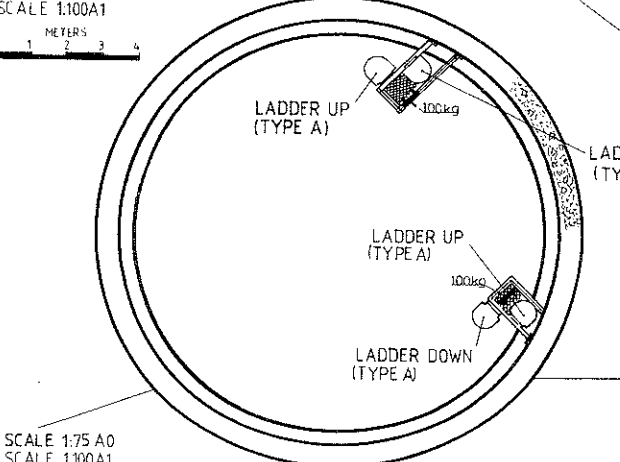
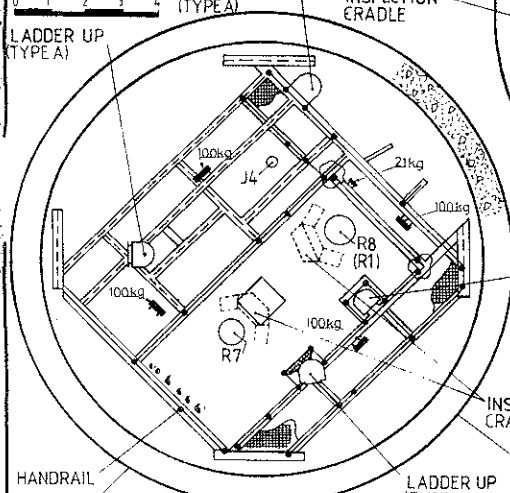
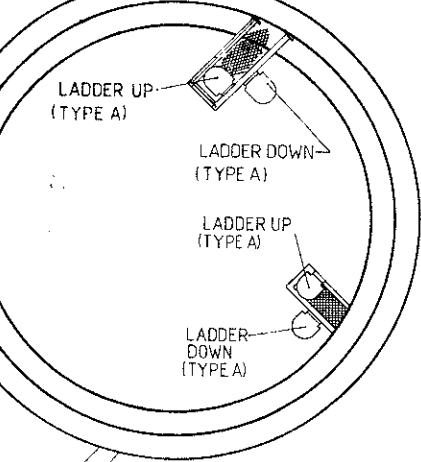
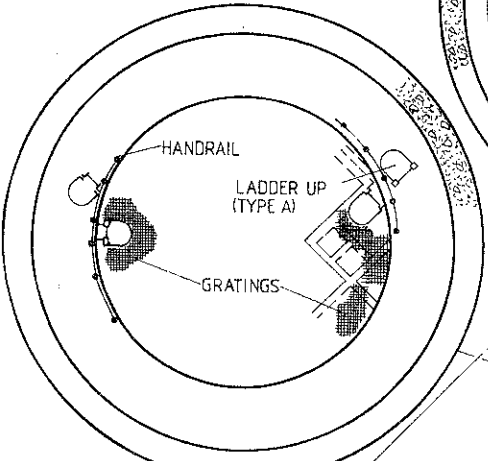
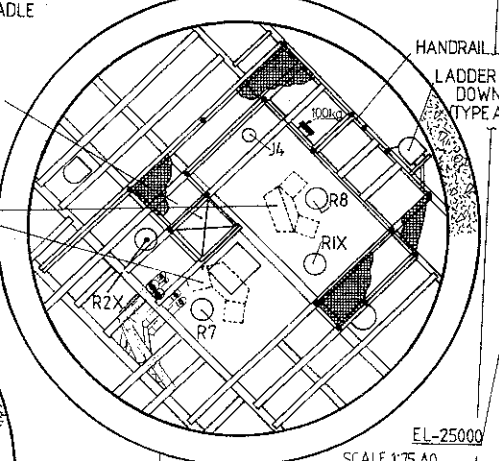
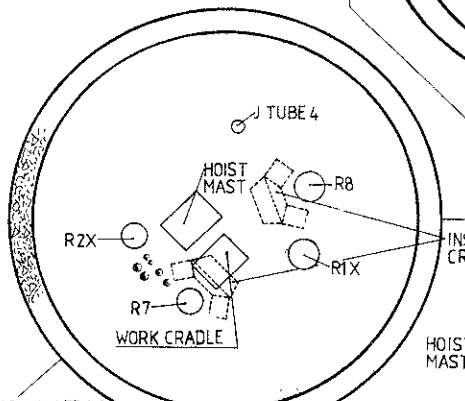
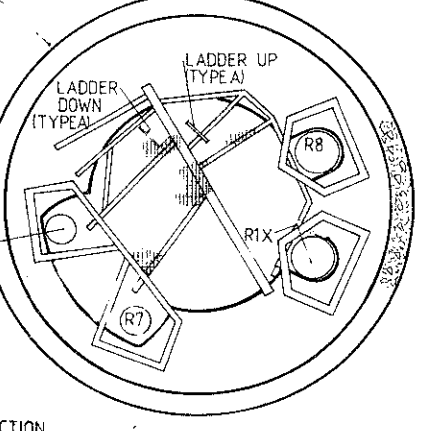
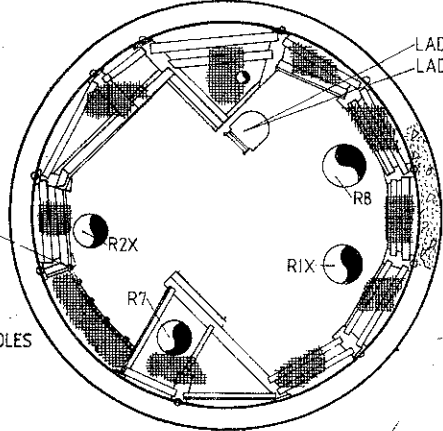
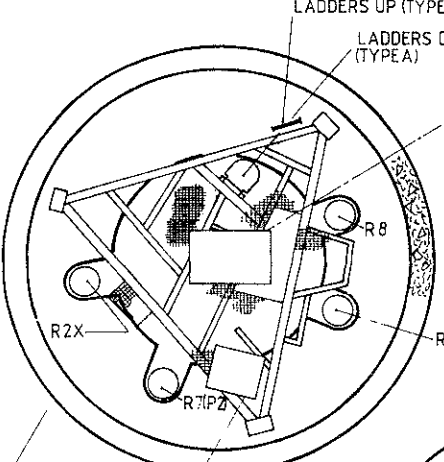
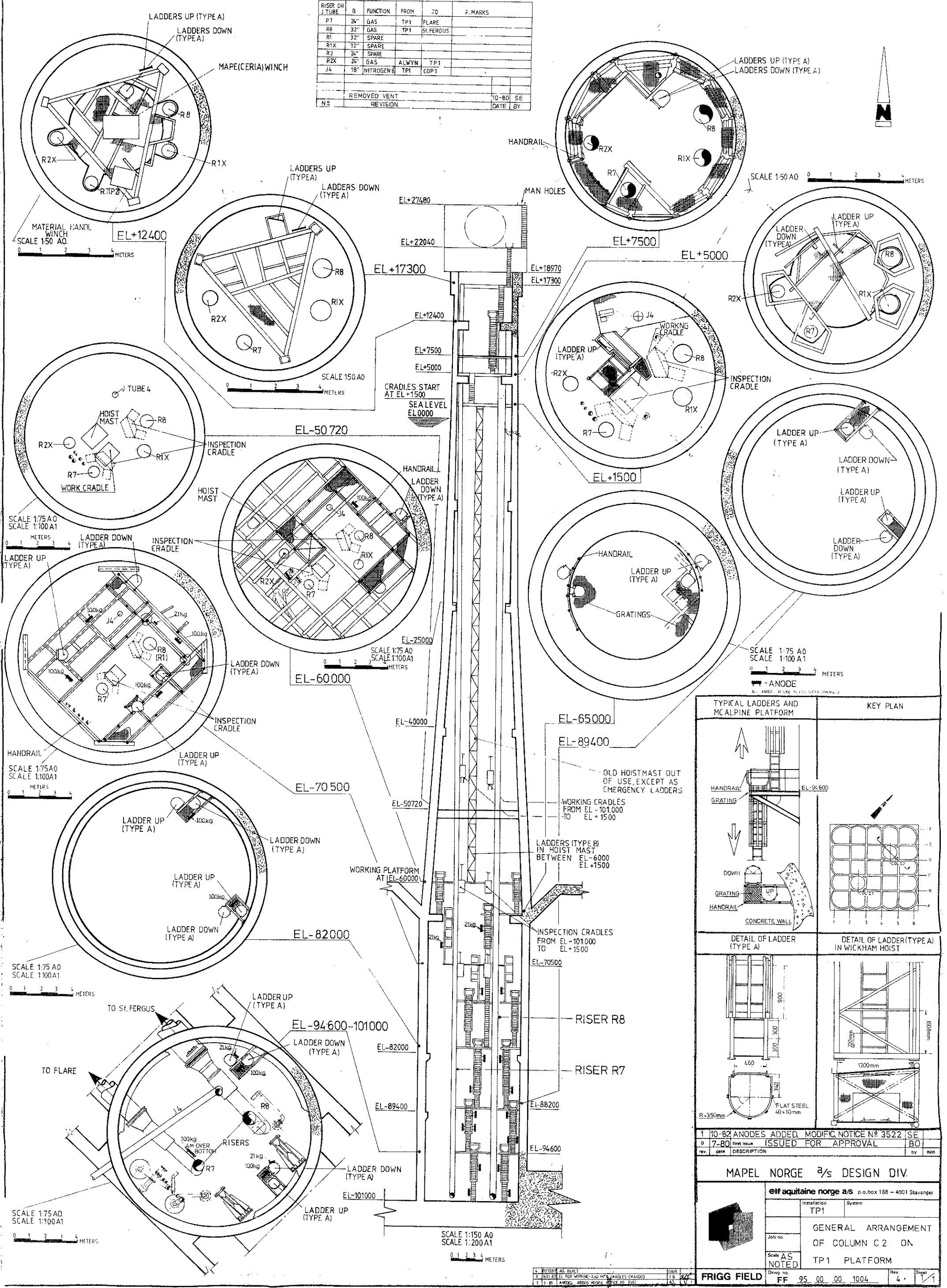


RISER DR	Ø	FUNCTION	FROM	TO	MARKS
P7	24"	GAS	TP1	FLARE	
R8	32"	GAS	TP1	ST. FERGUS	
R1	32"	SPARE			
R1X	32"	SPARE			
R2	24"	SPARE			
R2X	24"	GAS	ALWYN	TP1	
J4	18"	NITROGEN	TP1	CDP1	
REMOVED VENT					10-80 SE
REVISION					DATE BY



TYPICAL LADDERS AND MCLPINE PLATFORM		KEY PLAN	
<p>1 10-82 ANODES ADDED. MODIF. NOTICE N° 3522 SE</p> <p>0 7-80 first issue ISSUED FOR APPROVAL BO</p> <p>rev. date DESCRIPTION by spc</p>			
<p>MAPEL NORGE a/s DESIGN DIV.</p> <p>elf aquitaine norge a/s p.o. box 168 - 4001 Stavanger</p>			
		<p>Installation System</p> <p>TP1</p>	
<p>Job no. GENERAL ARRANGEMENT OF COLUMN C2 ON TP1 PLATFORM</p>			
<p>Scale AS NOTED</p>			
<p>FRIGG FIELD</p>		<p>Drwg. no. FF 95 00 00 1004</p>	
<p>4 071282 AS BUILT</p> <p>0 1001 83 EL FOR WORKING AND HPS CRADLES CHANGED</p> <p>2 3 85 ANODES ADDED HOIST RISE TO 3M</p>		<p>DRG. I.B. 2/7</p> <p>AS</p>	