

SCALE 1:50 A0
0 1 2 3 4 METERS

SCALE 1:75 A0
SCALE 1:100 A1
0 1 2 3 4 METERS

SCALE 1:75 A0
SCALE 1:100 A1
0 1 2 3 4 METERS

SCALE 1:75 A0
SCALE 1:100 A1
0 1 2 3 4 METERS

SCALE 1:50 A0
0 1 2 3 4

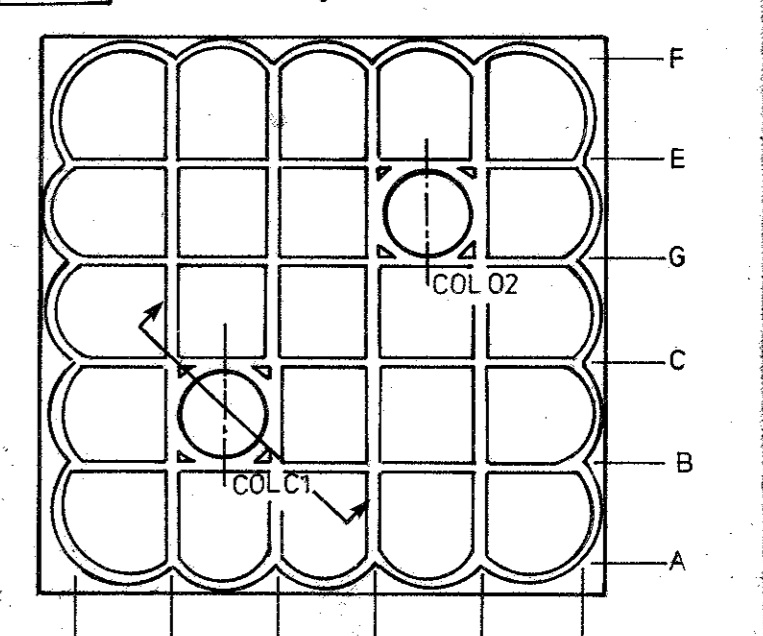
SCALE 1:75 A0
SCALE 1:100 A1
0 1 2 3 4 METERS

SCALE 1:75 A0
SCALE 1:100 A1
0 1 2 3 4 METERS

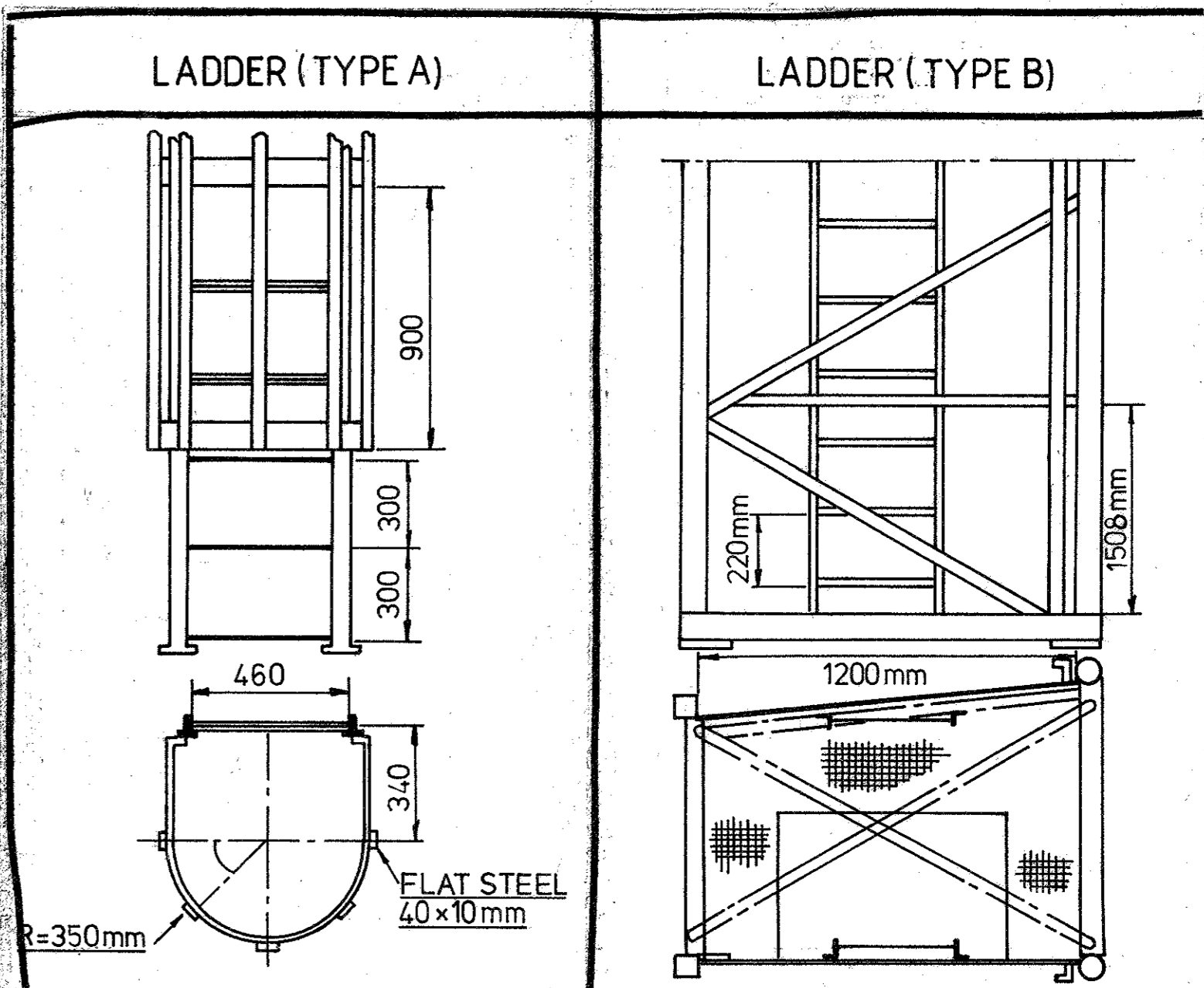
SCALE 1:50 A0
SCALE 1:200 A1
0 1 2 3 4 METERS

RISER OR J TUBE	Ø	FUNCTION	FROM	TO	REMARKS
R 5	26"	GAS	CDP1	TP1	
R 6	26"	GAS	CDP1	TP1	
R 3	26"	SPARE			EXT.
R 4	26"	SPARE			EXT.
J 1	18"	ELECTRICITY	TP1	FLARE	2 POWER CABLES
J 2	10 3/4"	EMPTY			FUTURE/SPARE
J 3	10 3/4"	FUEL GAS AIR INST	TP1	FLARE	2"x2"
J 5	10 3/4"	CONDENSATE 4"	CDP1	TP1	
2		REMOVED VENT			10-82 SE
Nº		REVISION			DATE BY

KEY PLAN



ANODE
NOTE - ALL ANODES 30.5 kg UNLESS NOTED OTHERWISE



10-82	ANODES ADDED. MODIF. NOTICE Nº 3522	SE
7-80	first issue ISSUED FOR APPROVAL	BO
rev.	date DESCRIPTION	by app.

MAPÉL NORGE a/s DESIGN DIV.

elf aquitaine norge a/s p.o. box 168 - 4001 Stavanger

Installation System
TP1

Job no.
GENERAL ARRANGEMENT OF COLUMN C1 ON TP1 PLATFORM

Scale AS NOTED

FRIGG FIELD Drwg. no. FF 95.00.00.10.03 Rev. 5 Sheet 1/1

5	21.06.56	AS BUILT ACC. TO MH 12513 (NR 95330)	G.H.
4	12.11.87	UPDATED AS BUILT	PHB
3	16.01.97	ELEV. FOR WORKING CRADLE CHANGED	T.B.
2	19.03.85	UPDATED TO MOD. NOTICE 3552	A.S.

NOTE:
1) ANODES ARE INSTALLED ON INTERCON PIPE
2) ANODES ARE INSTALLED ON 7" PIPE