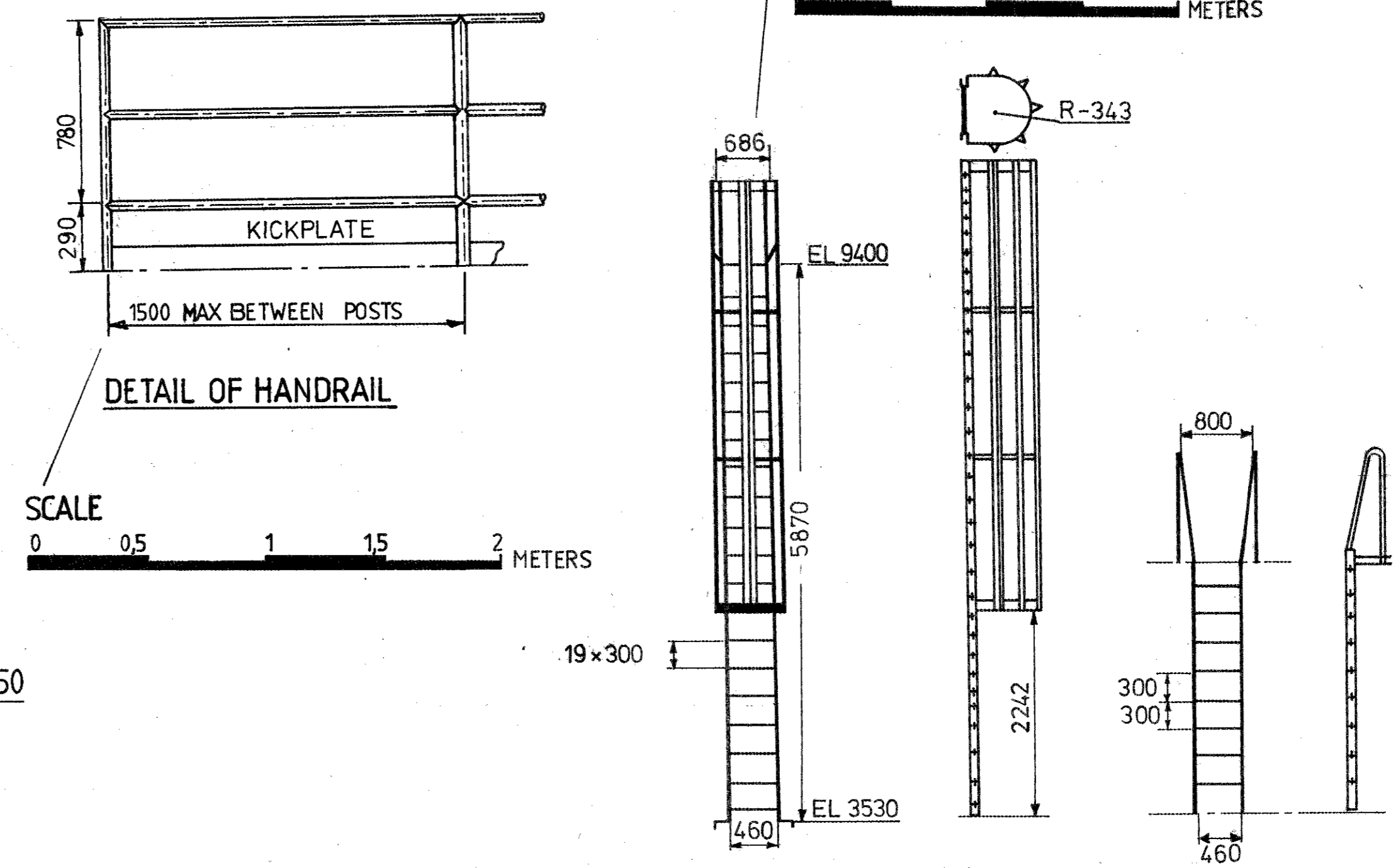
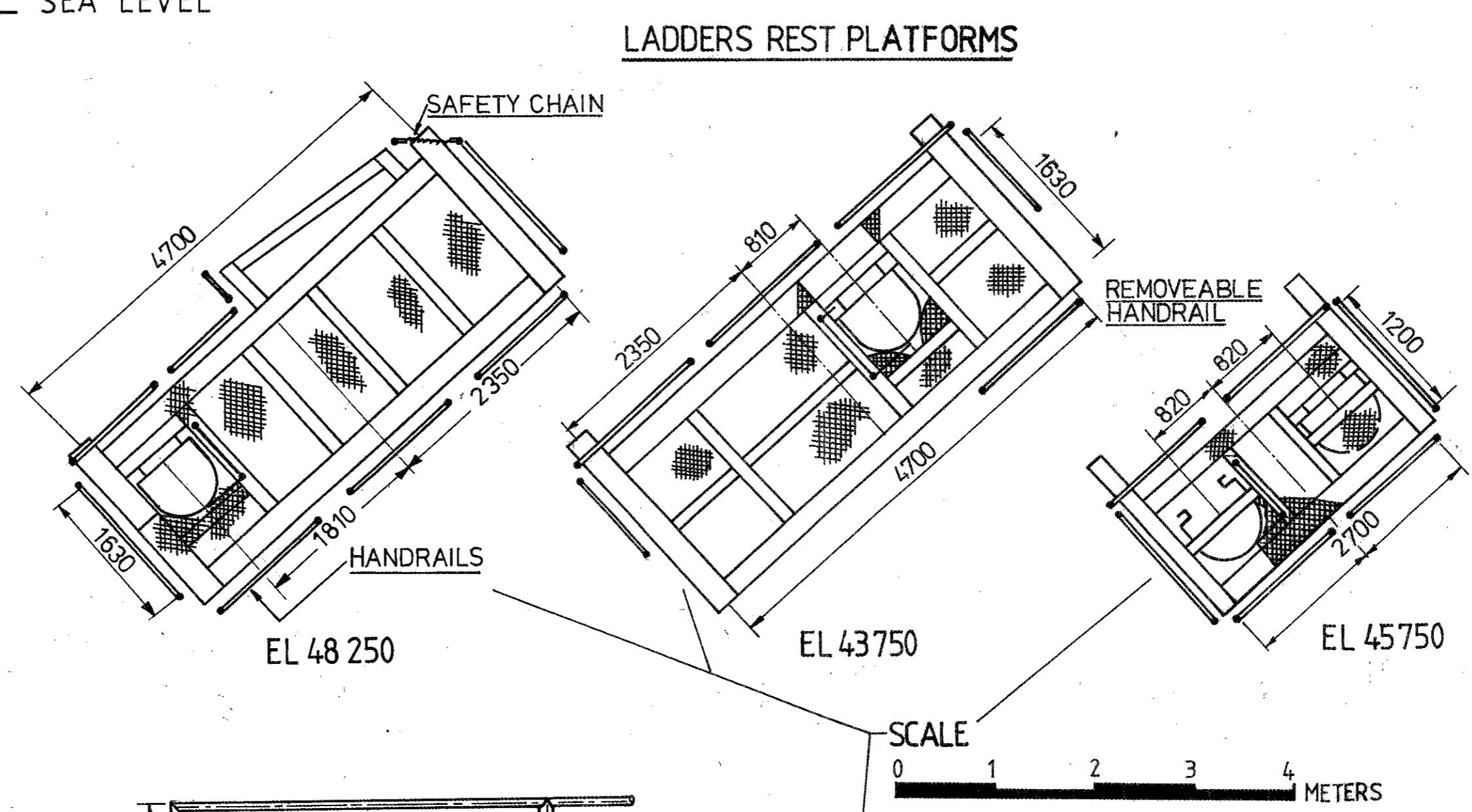
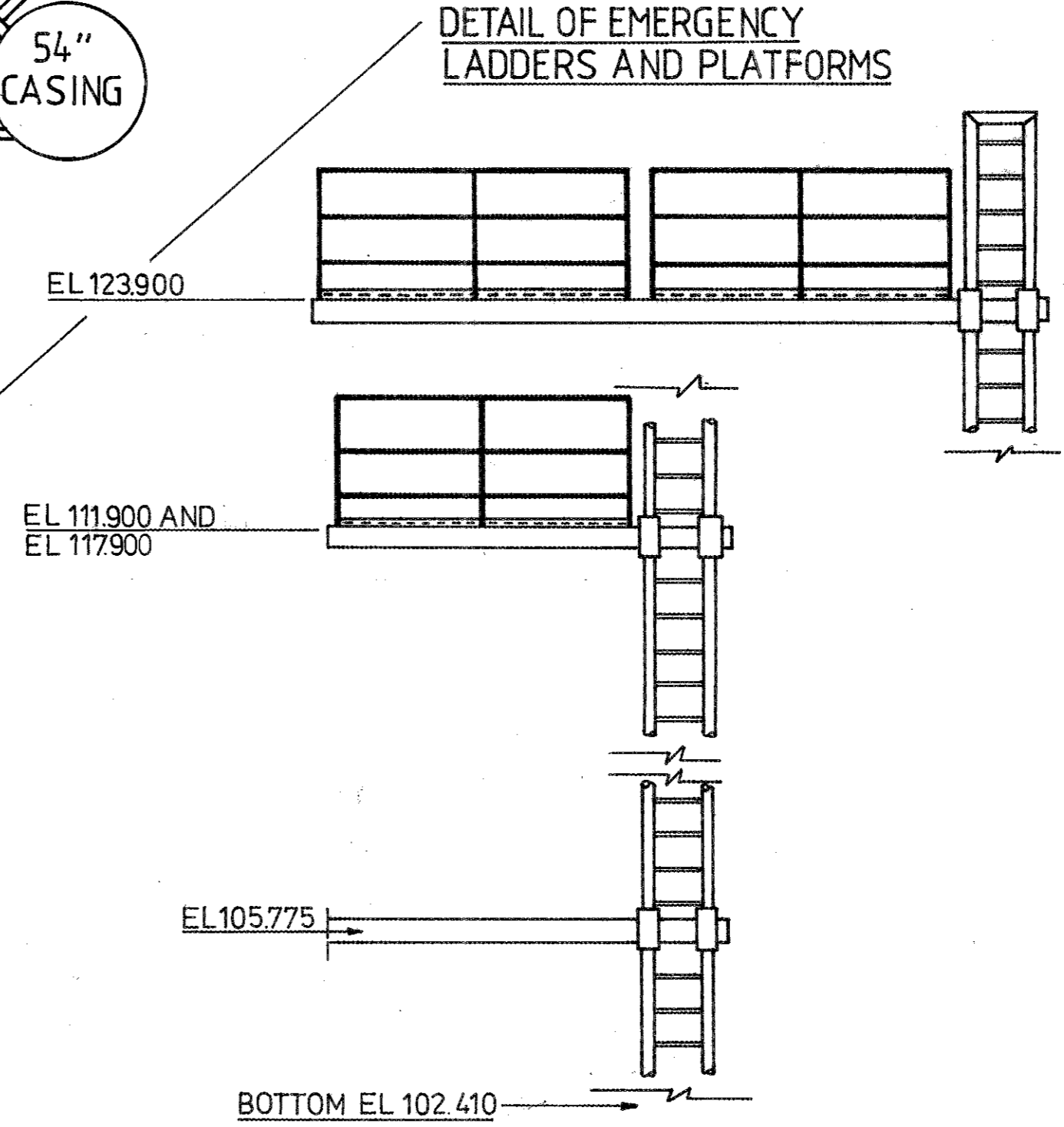
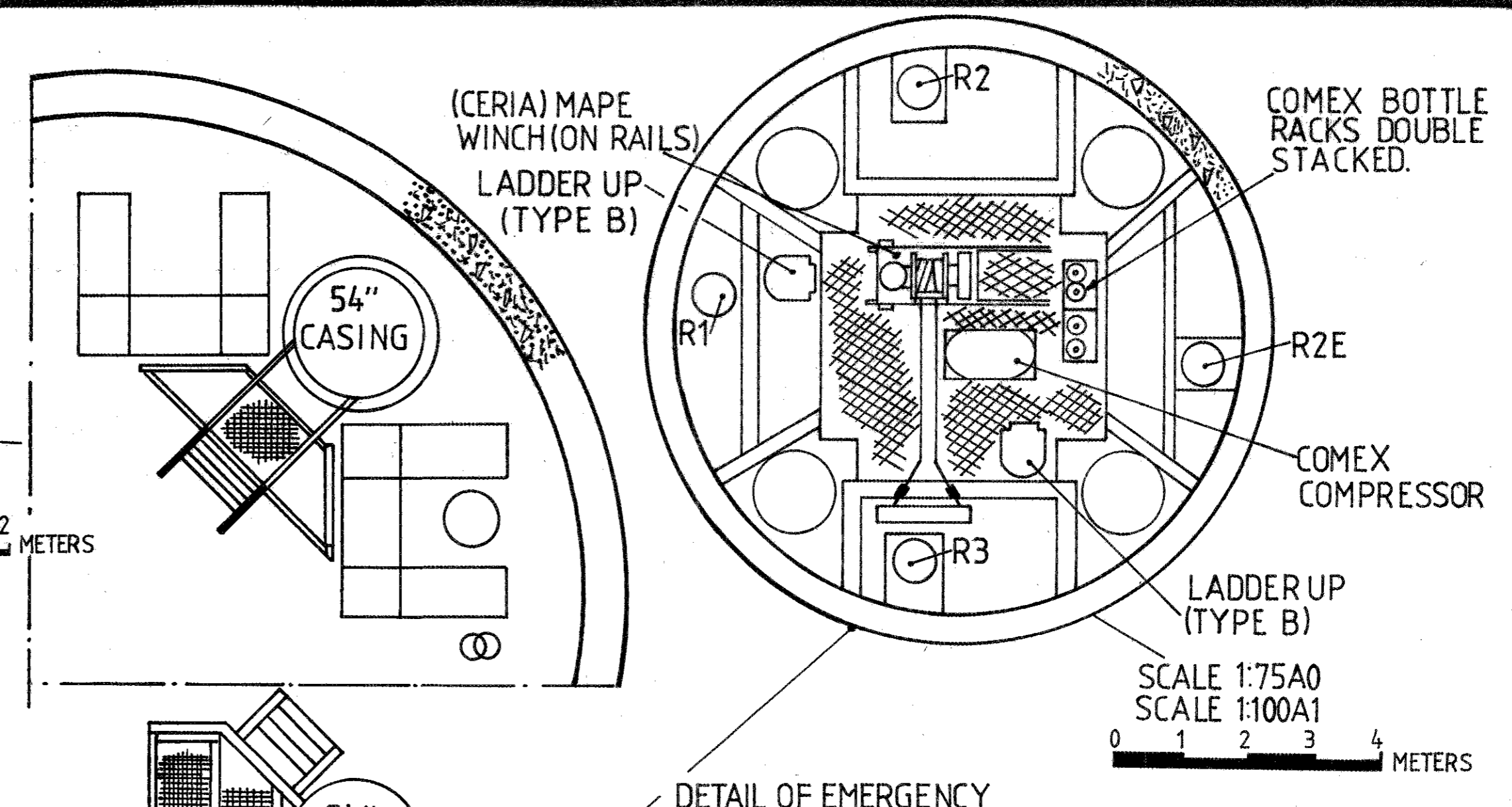
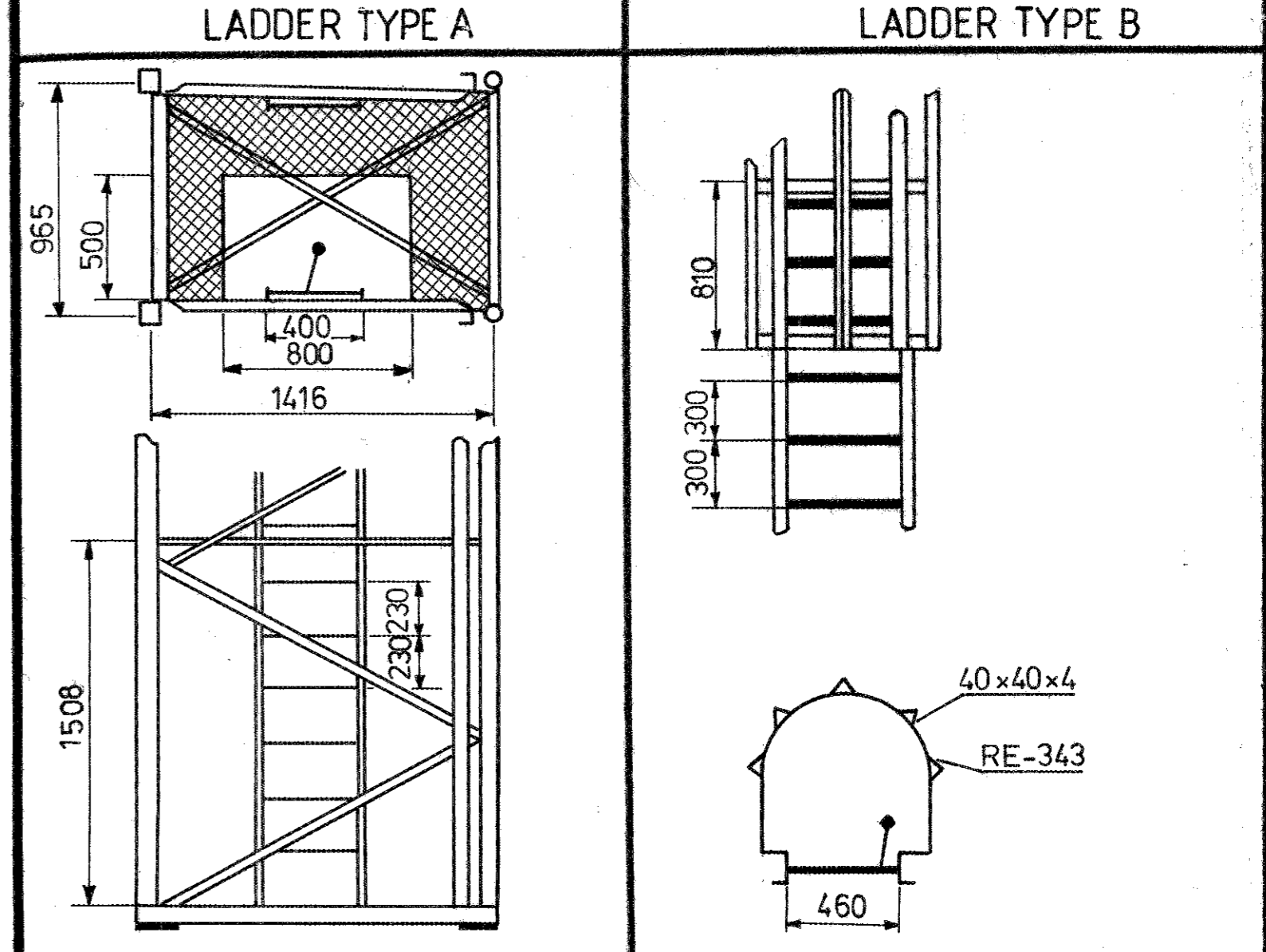
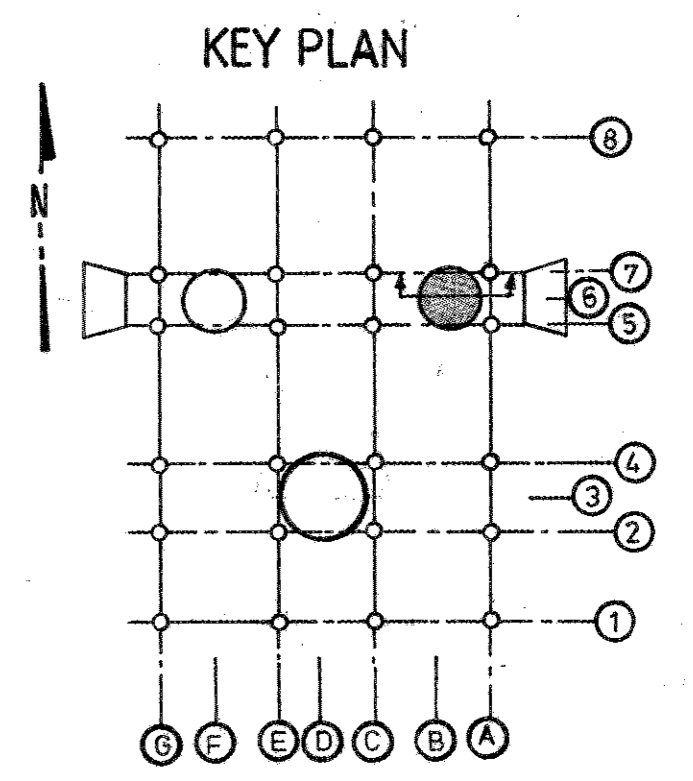


TIMBER DECKING  
SIZE OF TIMBER IS 12"x6"  
WHICH IS ACCORDING TO  
NORWEGIAN SAFETY REGULATIONS.

EL +105000  
DIVER PLATFORM  
FIXED IN 54" CASING  
SCALE 1:20A0  
SCALE 1:25A1



RISER OR J TUBE	Ø	FUNCTION	FROM	TO	REMARKS
R 1	32"	GAS	TCP 2	SK. FERGUS	
R 2	26"	GAS	DP 2	TCP 2	
R 3	26"	GAS	DP 2	TCP 2	
J 1	10 3/4"	CONDENSATE	DP 2	TCP 2	
J 2	18"	KILL LINE	TCP 2	DP 2	NO LONGER USED
J 3	12 3/4"	POWER CABLES	TCP 2	DP 2	



17-80 first issue ISSUED FOR APPROVAL BO

MAPEL NORGE a/s DESIGN DIV.

elf aquitaine norge a/s p.o. box 168 - 4001 Stavanger

Installation System TCP 2

Job no. GENERAL ARRANGEMENT OF COLUMN C3 ON TCP2 PLATFORM

Scale AS NOTED

FRIGG FIELD Drwg. no. FF 85 00 24 1002 Rev. 0 Sheet 1/1