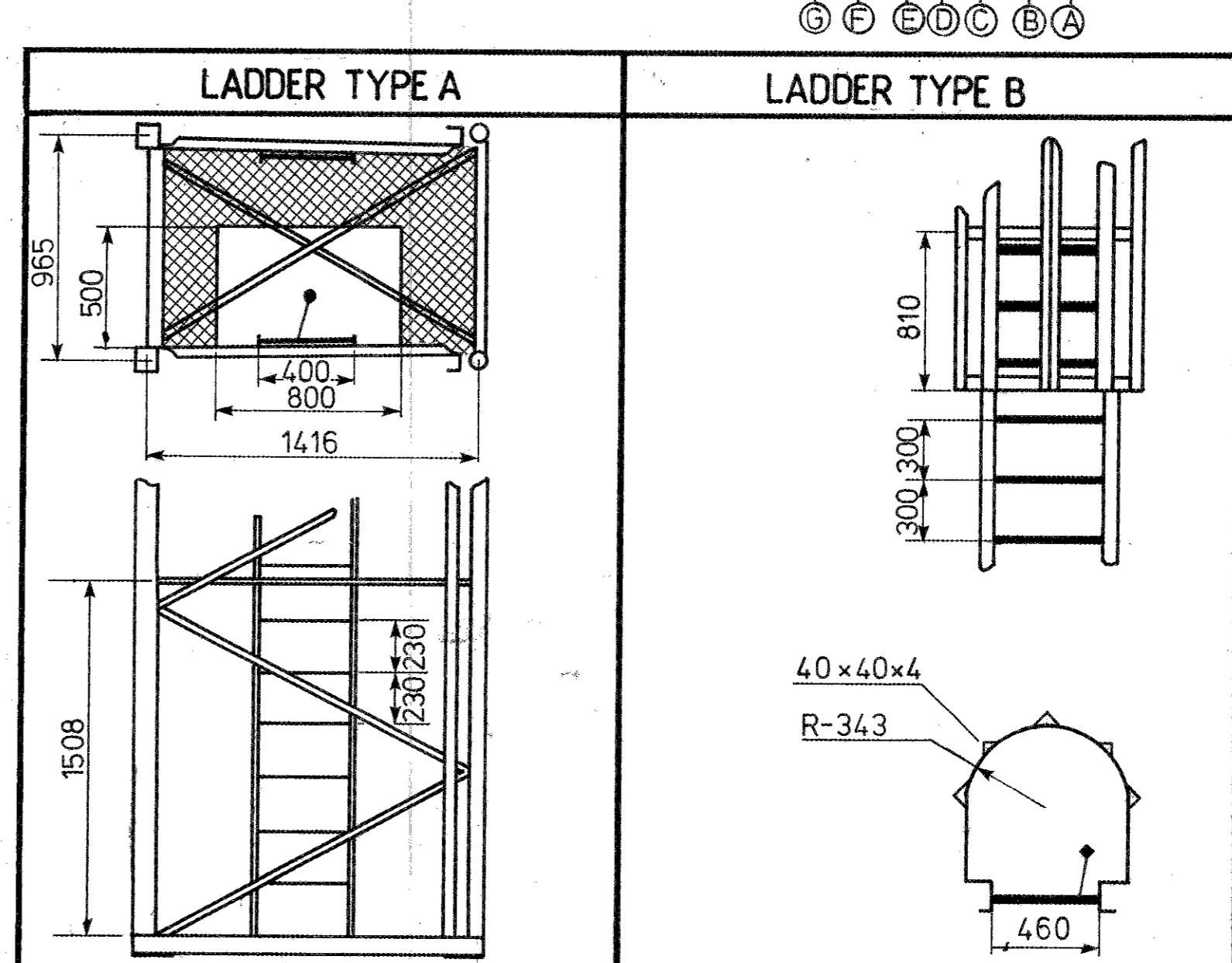
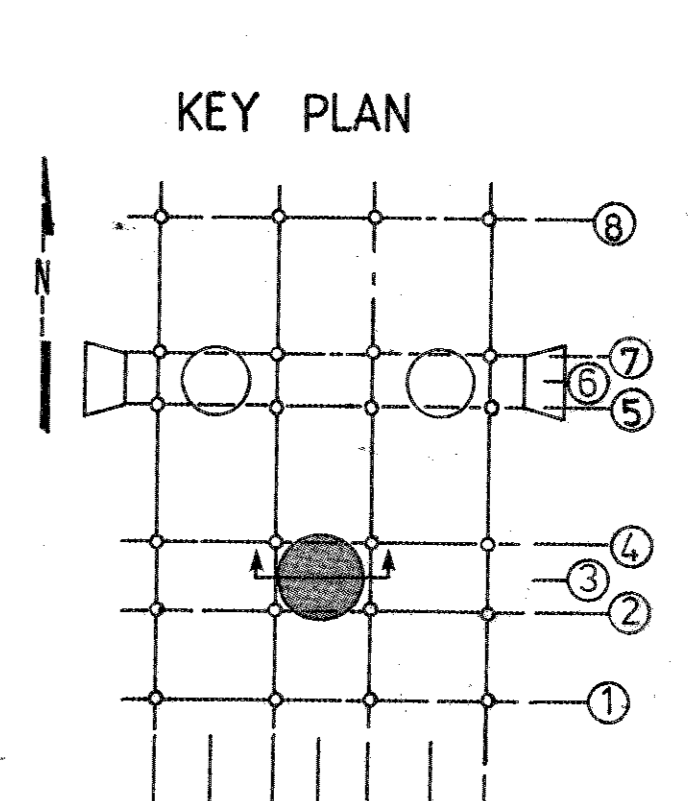
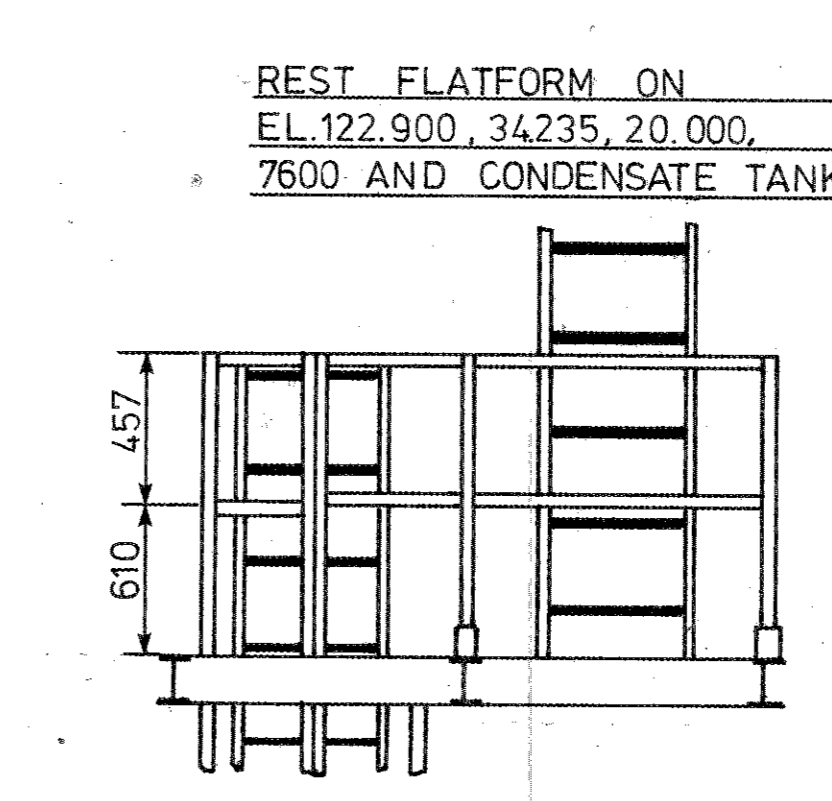
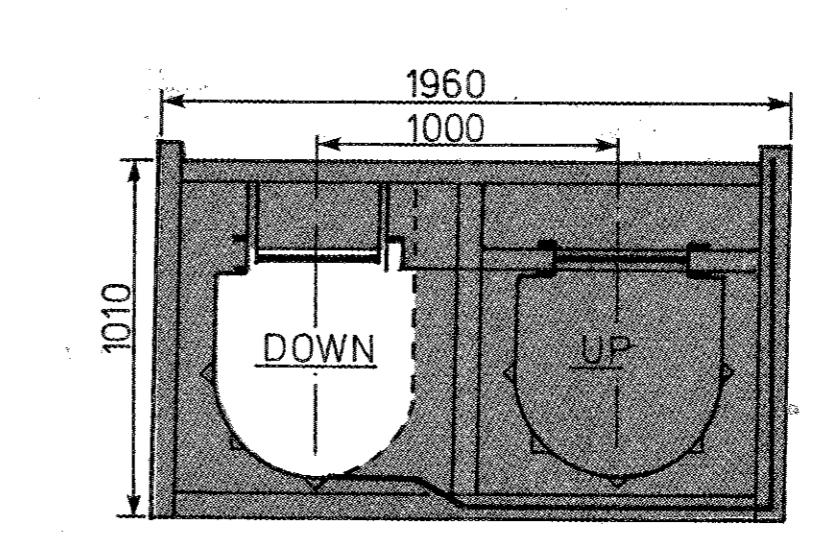
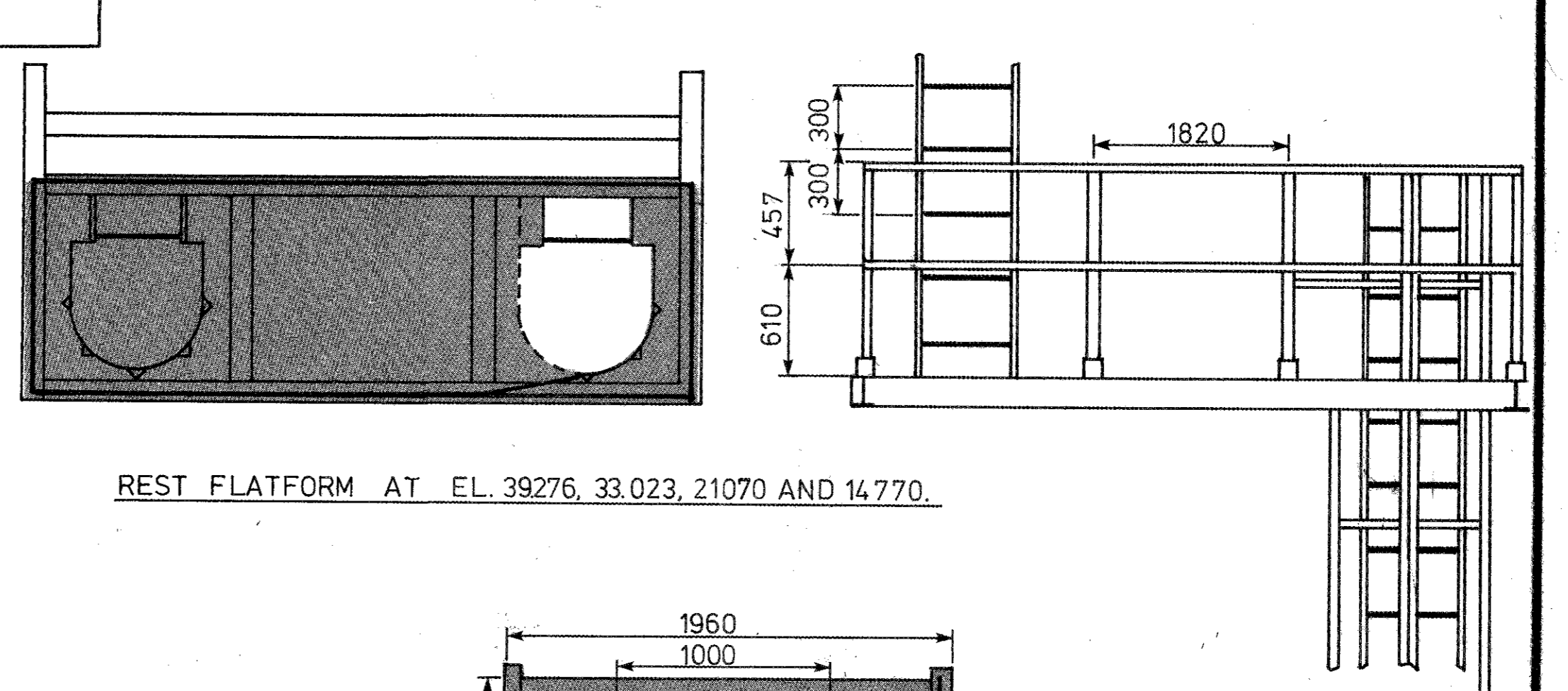
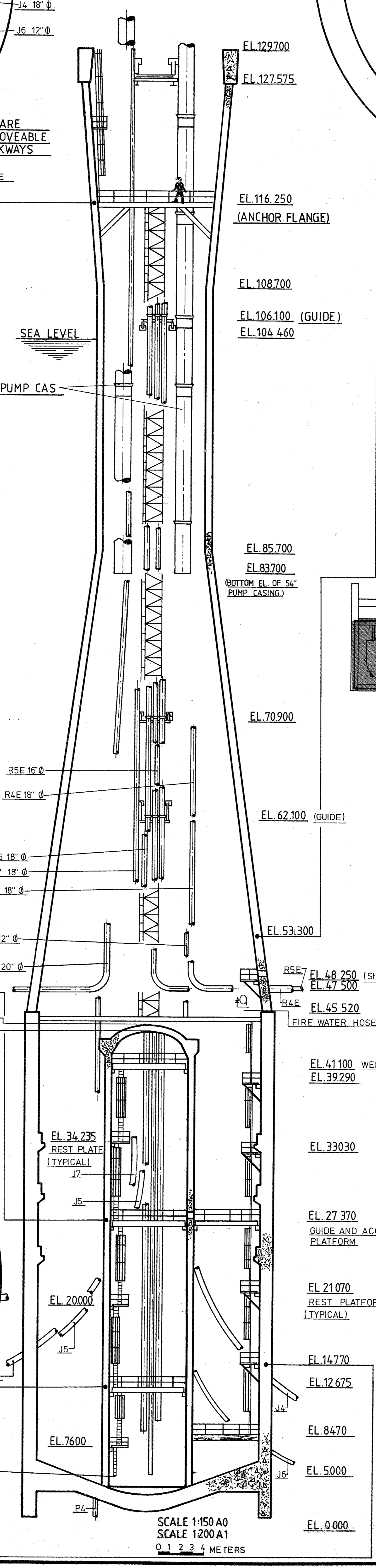
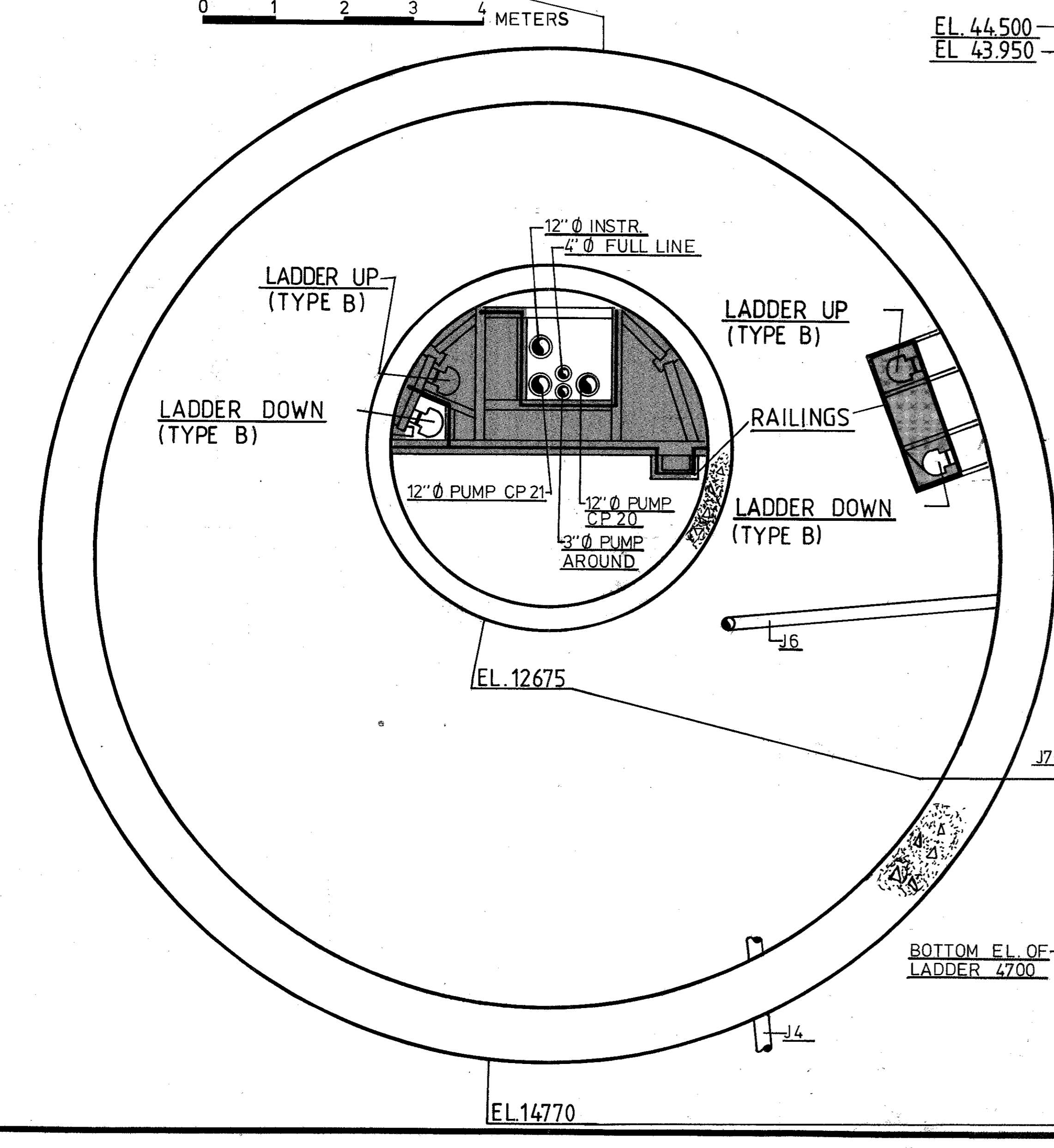
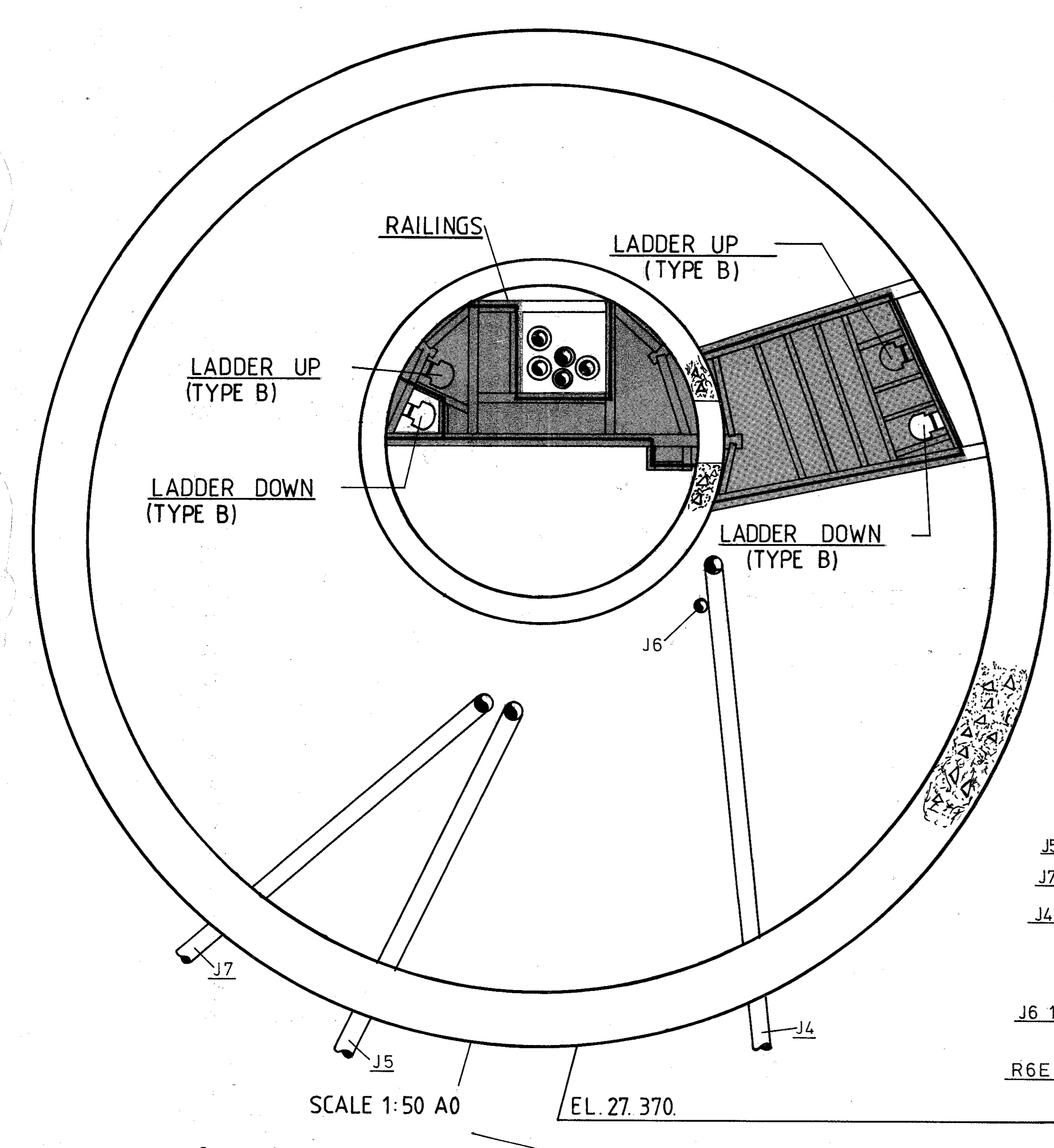


NOTE:
LADDER IN HOISTMAST
BETWEEN EL. 116.250 - 45.520.
HOIST OUT OF ORDER.

Ø	FUNCTION	FROM	TO	REMARKS
R4 18"	GAS	HEIMDAL	TCP2	FUTURE
R5 16"	GAS	N.E.F.	TCP2	FUTURE
R6 20"	GAS	ODIN	TCP2	FUTURE
J4 18"	EMPTY			FUTURE / SPARE
J5 18"	EMPTY			FUTURE / SPARE
J6 12 3/4"	EMPTY			FUTURE / SPARE
J7 18"	EMPTY			FUTURE / SPARE



0 7-80 first issue ISSUED FOR APPROVAL		BO
rev.	date	DESCRIPTION
MAPEL NORGE a/s DESIGN DIV.		
	eif aquitaine norge a/s p.o. box 168 - 4001 Stavanger	
	Installation	System
Job no.	GENERAL ARRANGEMENT OF COLUMN C5 ON TCP2 PLATFORM	
Scale AS NOTED	Drwg. no.	FF 85 00 26 10 03
FRIGG FIELD	Rev.	0
	Sheet	1/1