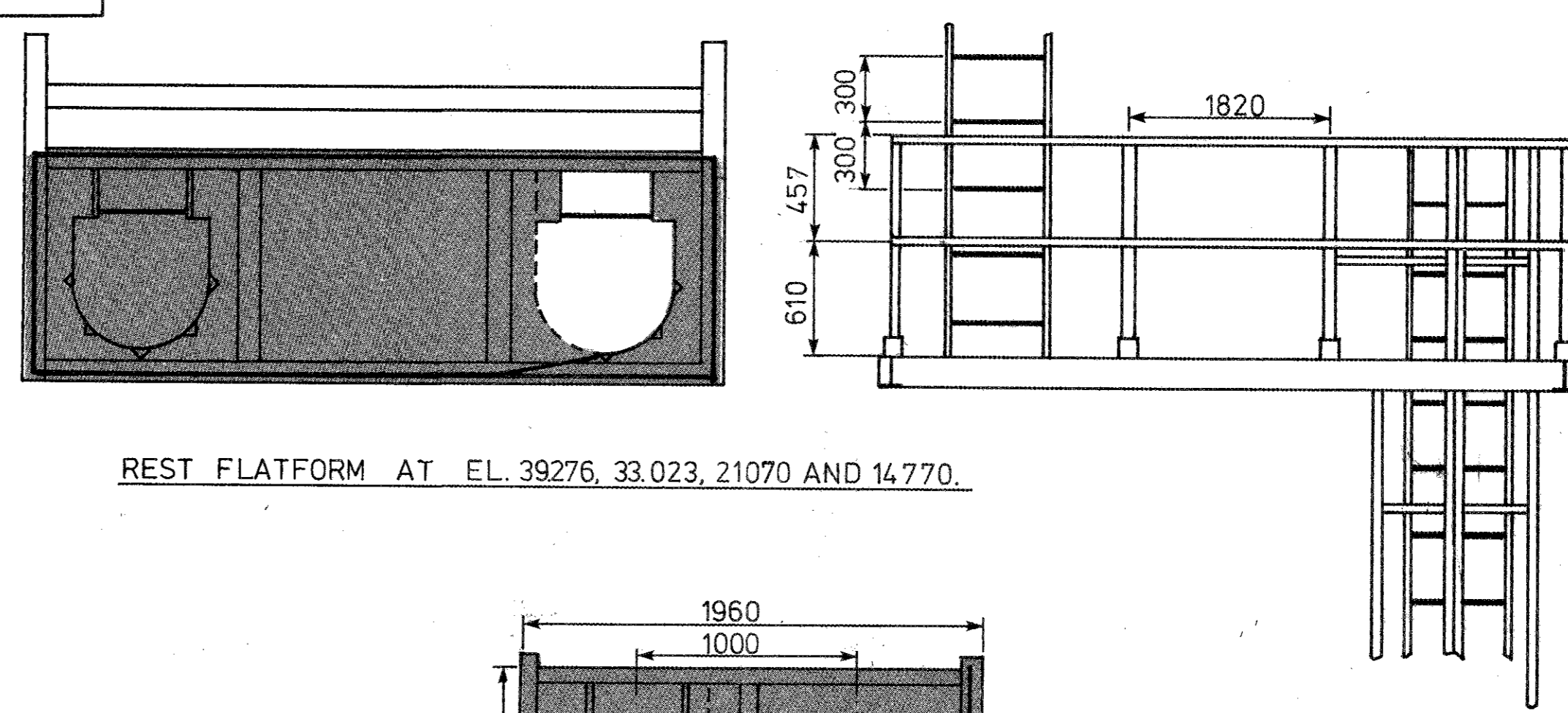
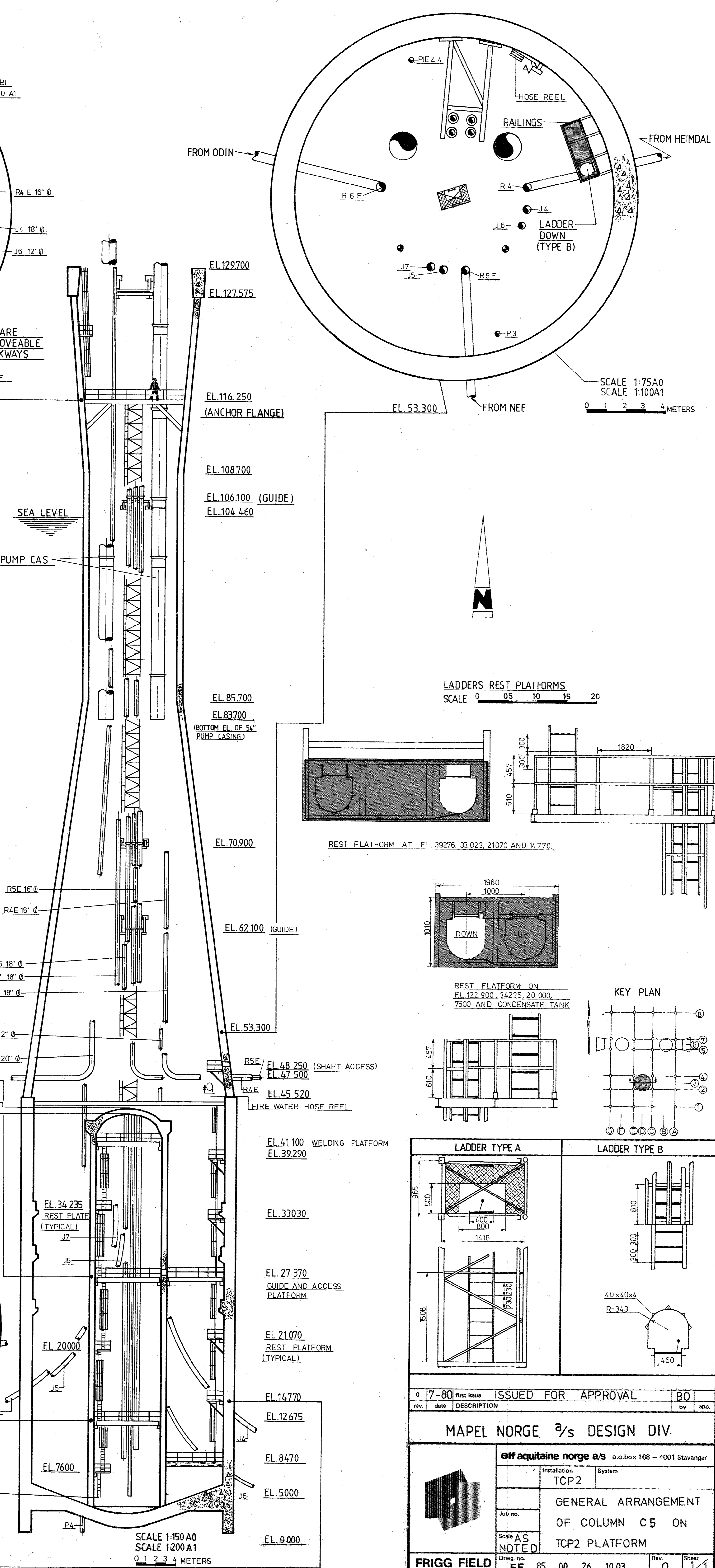
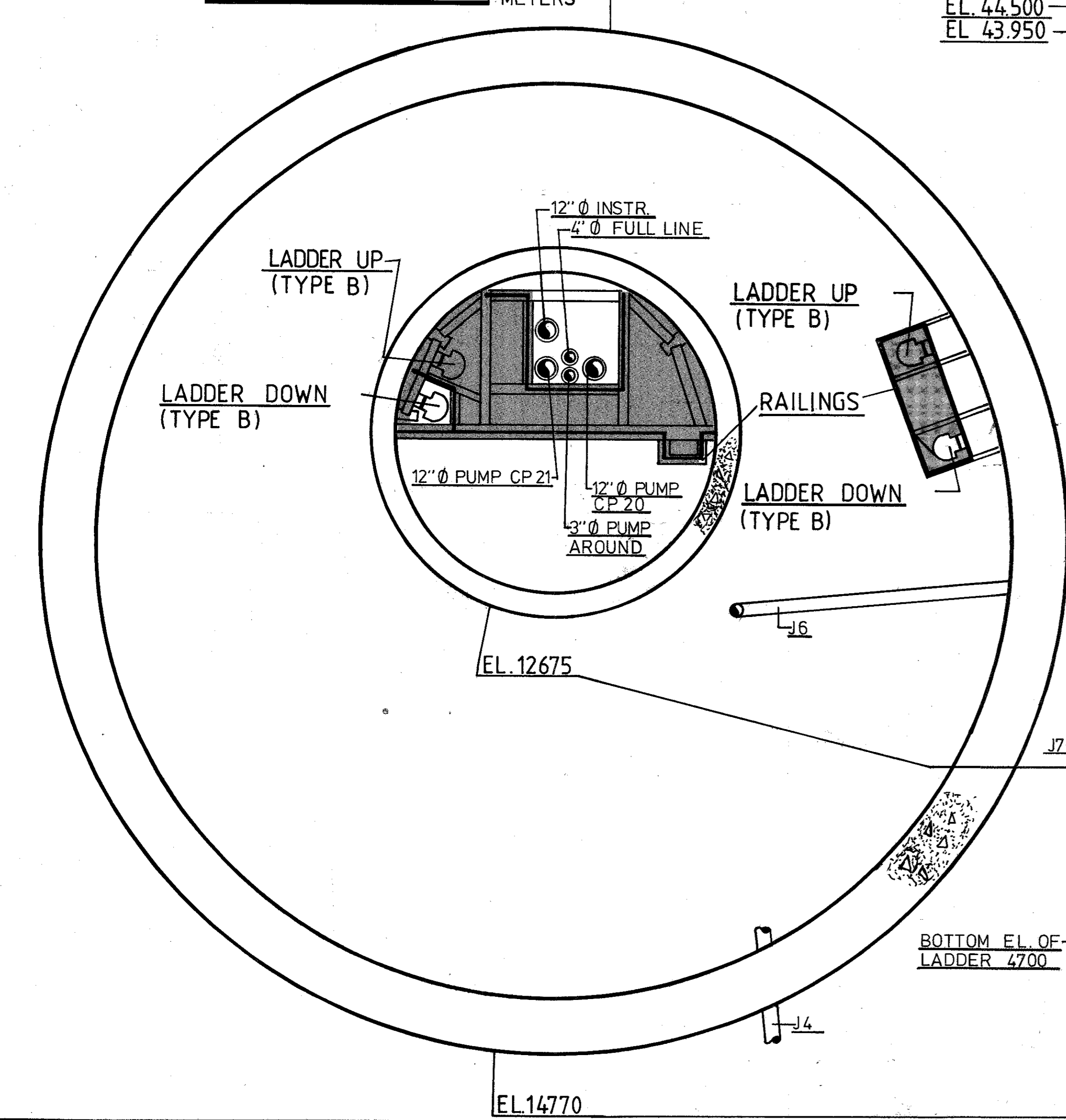
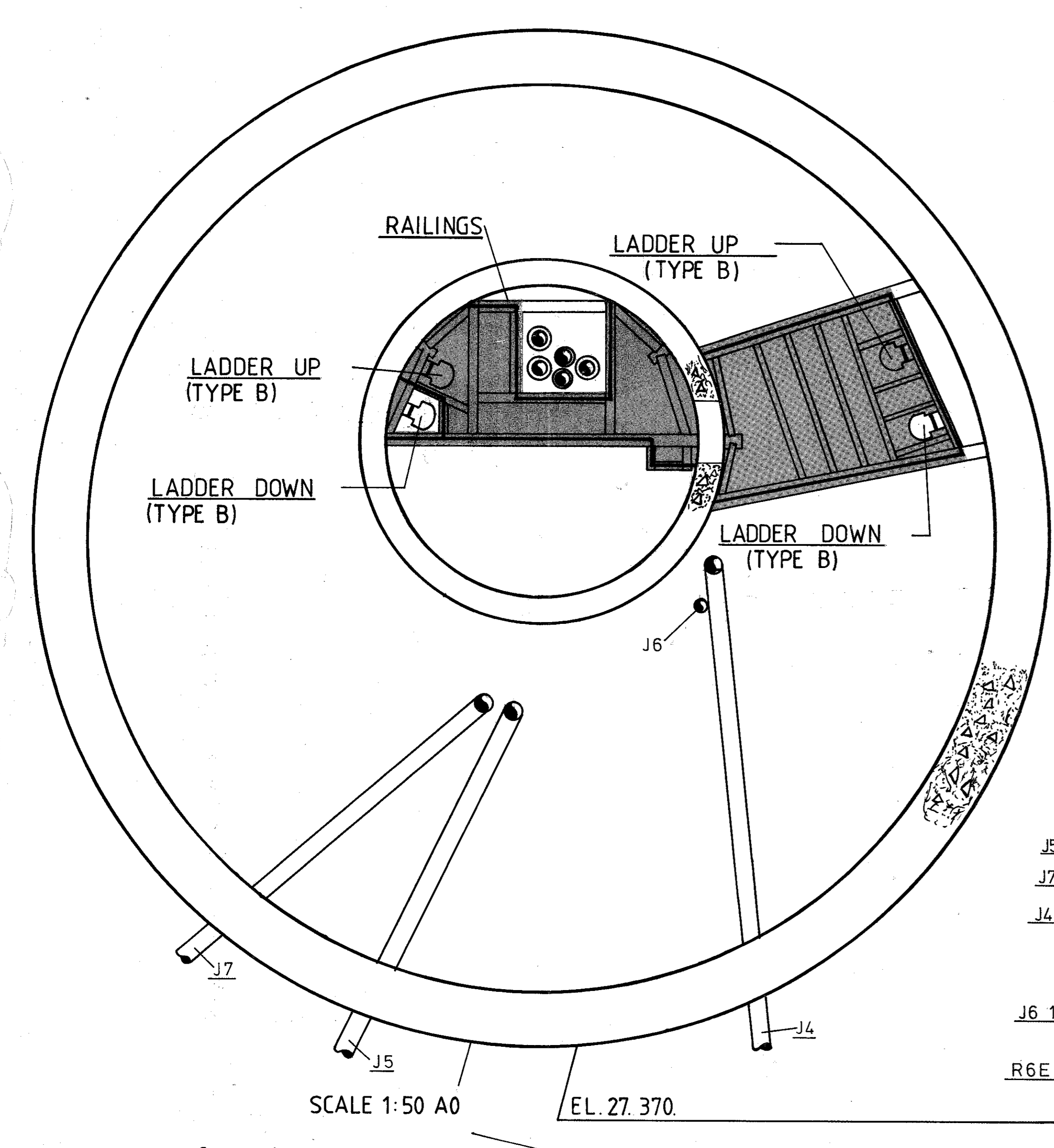
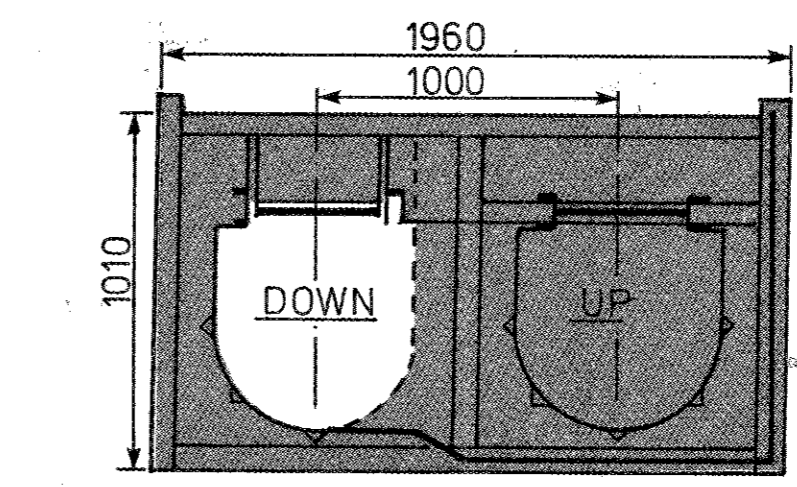


NOTE:
LADDER IN HOISTMAST
BETWEEN EL. 116.250 - 45.520.
HOIST OUT OF ORDER.

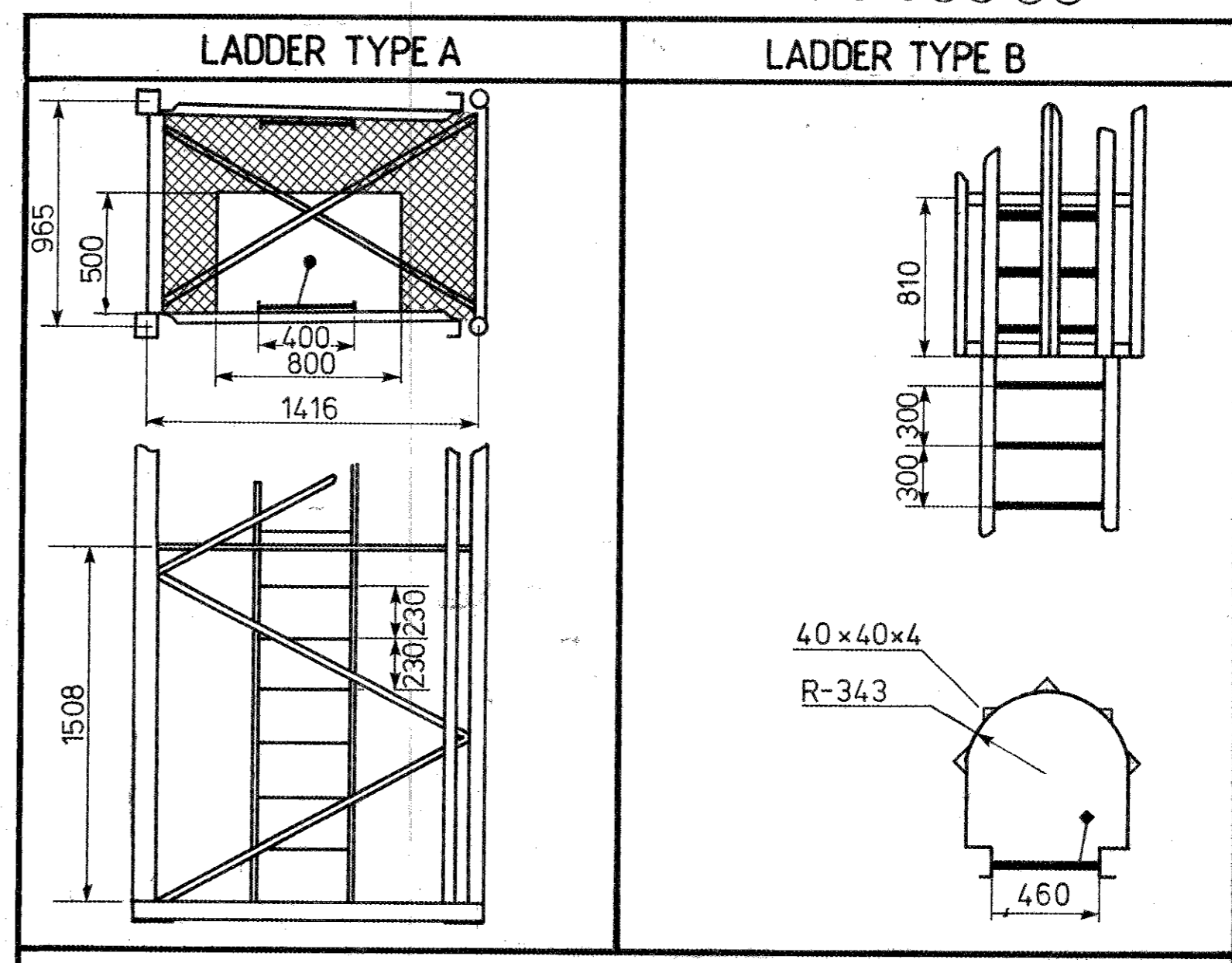
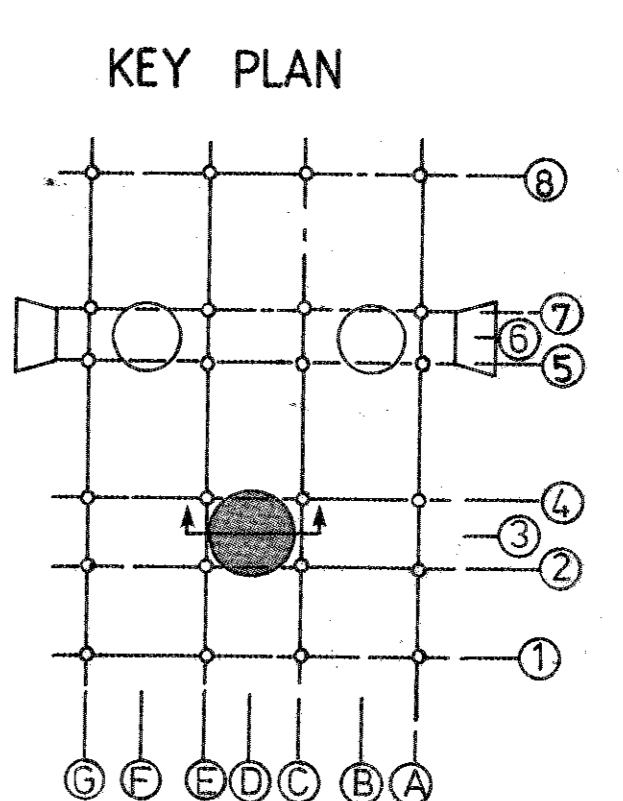
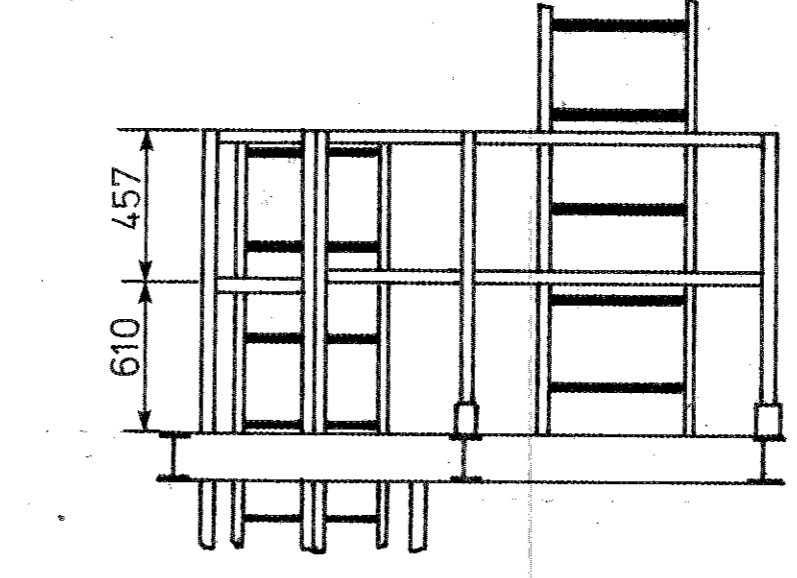
Ø	FUNCTION	FROM	TO	REMARKS
R4 18"	GAS	HEIMDAL	TCP2	FUTURE
R5 16"	GAS	N.E.F.	TCP2	FUTURE
R6 20"	GAS	ODIN	TCP2	FUTURE
J4 18"	EMPTY			FUTURE / SPARE
J5 18"	EMPTY			FUTURE / SPARE
J6 12 3/4"	EMPTY			FUTURE / SPARE
J7 18"	EMPTY			FUTURE / SPARE



REST PLATFORM AT EL. 39276, 33.023, 21070 AND 14770.



REST PLATFORM ON EL. 122.900, 34235, 20.000, 7600 AND CONDENSATE TANK



0 7-80 first issue ISSUED FOR APPROVAL		BO
rev.	date	DESCRIPTION
MAPEL NORGE a/s DESIGN DIV.		
elf aquitaine norge a/s		p.o. box 168 - 4001 Stavanger
Installation	TCP2	System
GENERAL ARRANGEMENT OF COLUMN C5 ON TCP2 PLATFORM		
Scale	AS NOTED	
Drwg. no.	FF 85 00 26 10 03	Rev. 0
FRIGG FIELD		Sheet 1/1