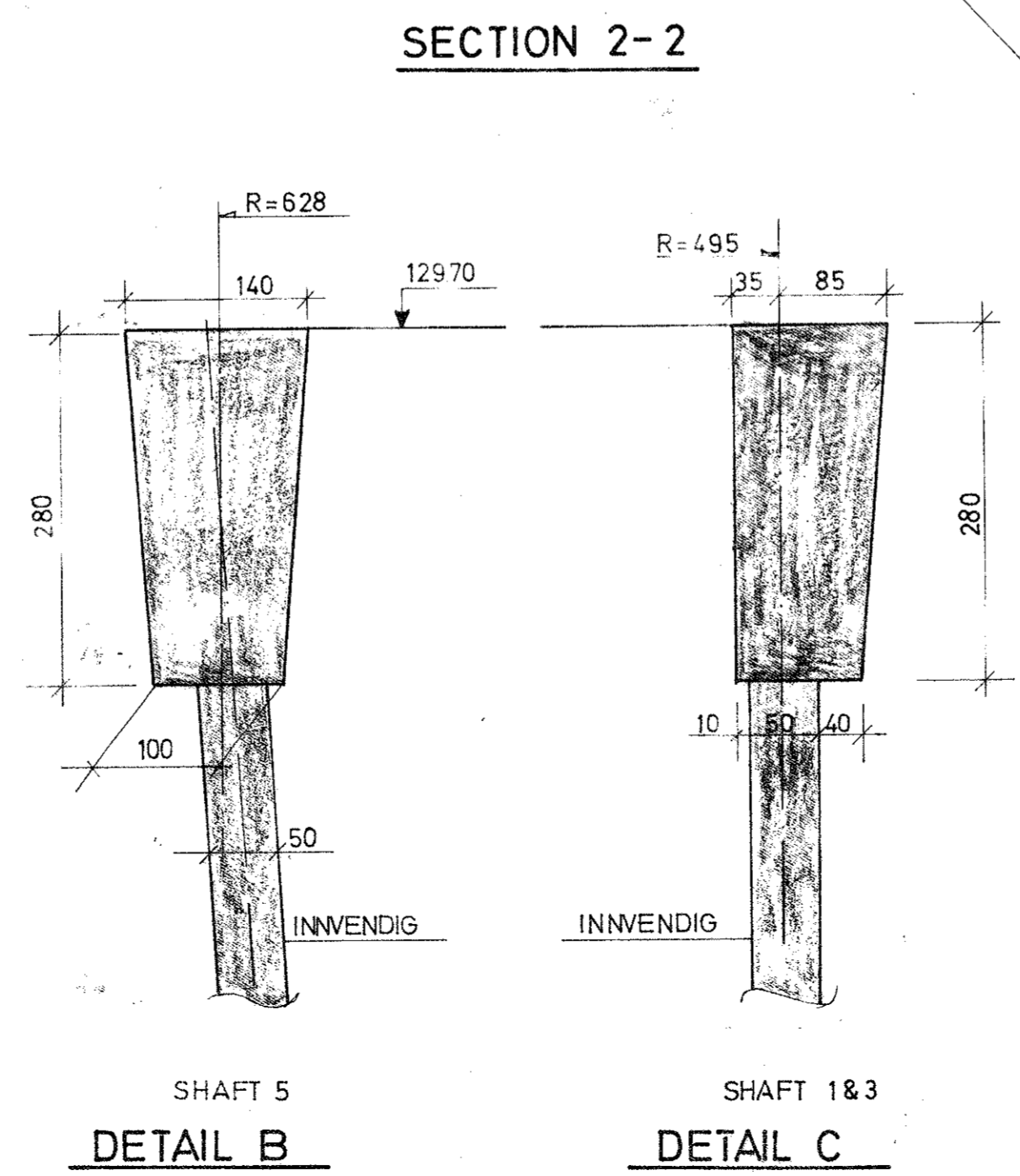


DETAIL LOWER DOMES SCALE: 1:200



Rev	Date	Revisions	By	Date approved	Comments
C	24.1.75	Condensate tank Star cell slab no.			
B	19.11.74	Upper domes shaft thickness concr skirt			
A	23.10.74	Lower domes ballast cyl. cell wall thckn. skirt compartn.			

		<b>ELF-NORGE A/S</b> <b>FRIGG - TCP 2</b>		<b>E-10</b>	
		<b>GENERAL VIEW</b>		Drawn: ELP 17.9.74 Checked: _____ Scale: 1:200 1:500	
Consultant: <b>A.S. HØYER ELLEFSEN</b> DESIGN AND DEVELOPMENT DEPARTMENT Sagvæn 28, OSLO - Telex (02) 37 26 26, Telex 19213 Bygdøy allé 1 OSLO 2 - NORWAY Tel: (02) 56 49 70 - Telex 18810		Clients ref. no. _____ Consultants ref. no. _____ Struct part no. _____ Serial code _____ Rev index _____		<b>UC33.0-1231 - 00 - 001 - K</b>	

Rev	Date	Revisions	By
K	08.3.77	EL of Dowels	
J	09.2.76	Corr. on section 3-3	
I	02.9.76	Corr. on section 3-3	
H	09.2.76	Thicknesses and elevations	
G	28.08.75	Top of shafts Cond. tank wall	
F	21.5.75	LAT. Sea level Ringbeam Upper domes	
E	04.04.75	Slab, concrete skirt. Thckn. shaft	
D	04.03.75	Condensate tank crane support, High towers	
C	04.03.75	Condensate tank modified shaft thckn.	