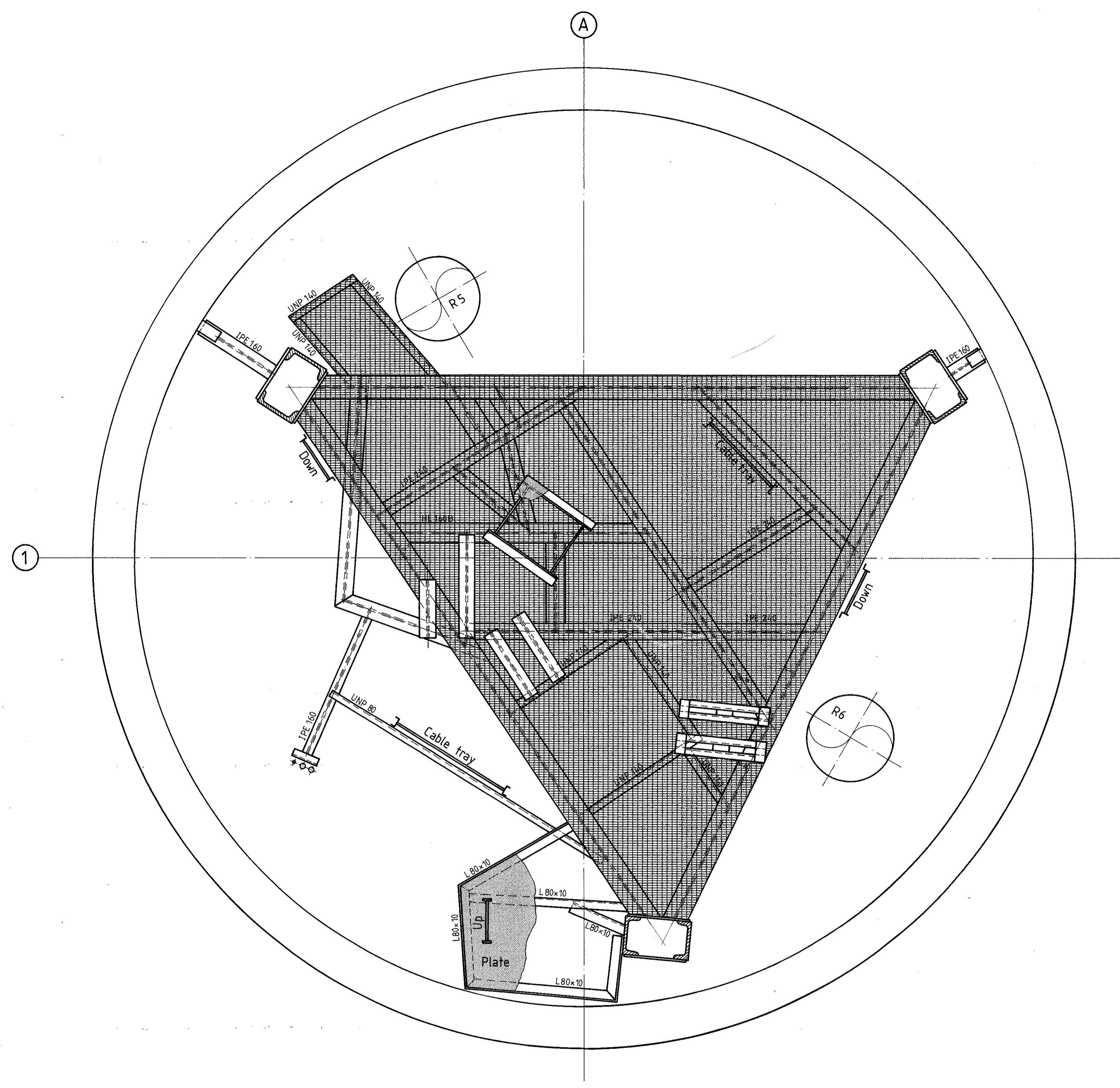
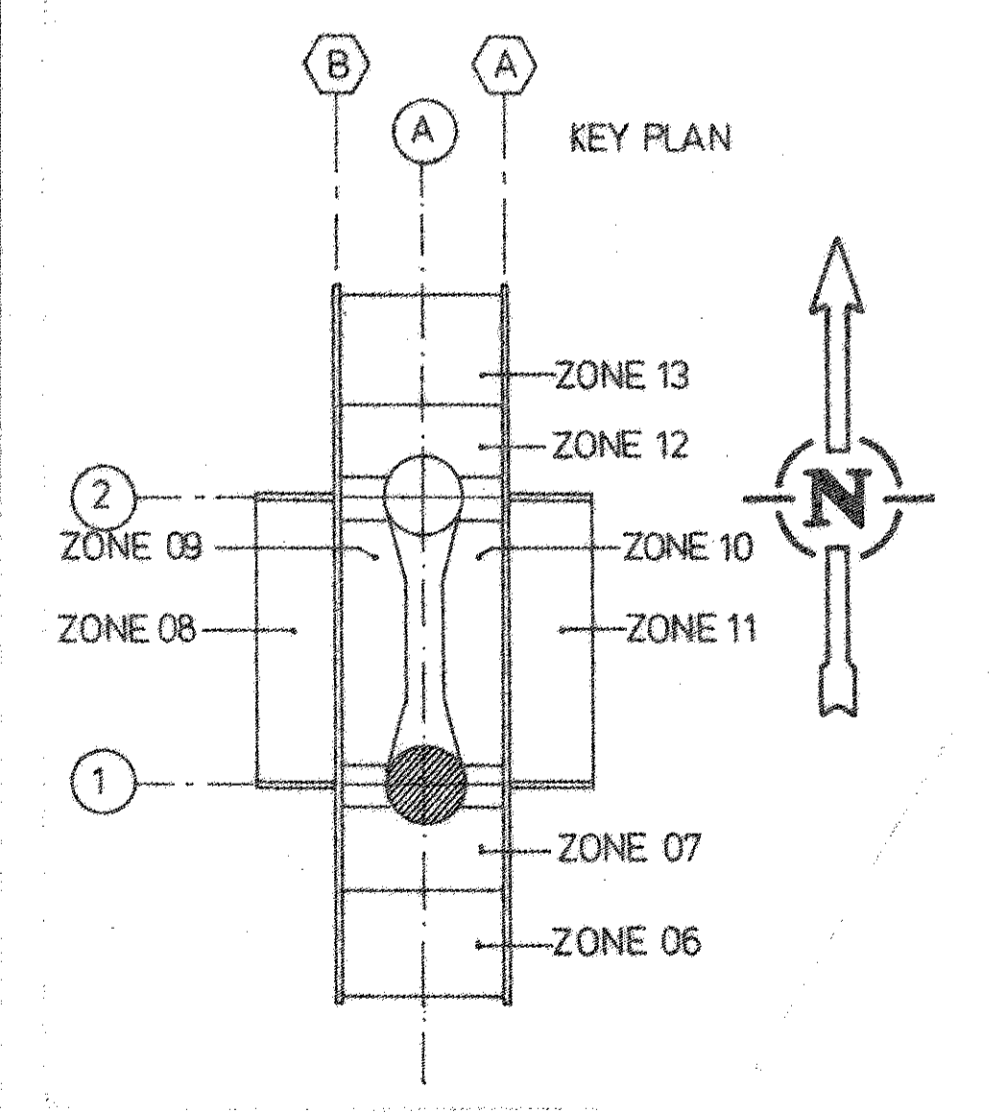


REFERENCE DRAWING:

FF 95 21 23 12 42.



Existing framing column 1 level +18 300



0	22.5.84	first issue	J.K.F.
rev.	date	DESCRIPTION	by app.

	elf aquitaine norge as p.o. box 188 - 4001 Stavanger		
	A1	TP1	STRUCTURE
	GRATING PLAN COLUMN 1 LEVEL +18 300		
	FF	95 21 23 12 65	Rev. 0

Site A1, Form: 002.310, 12-1985