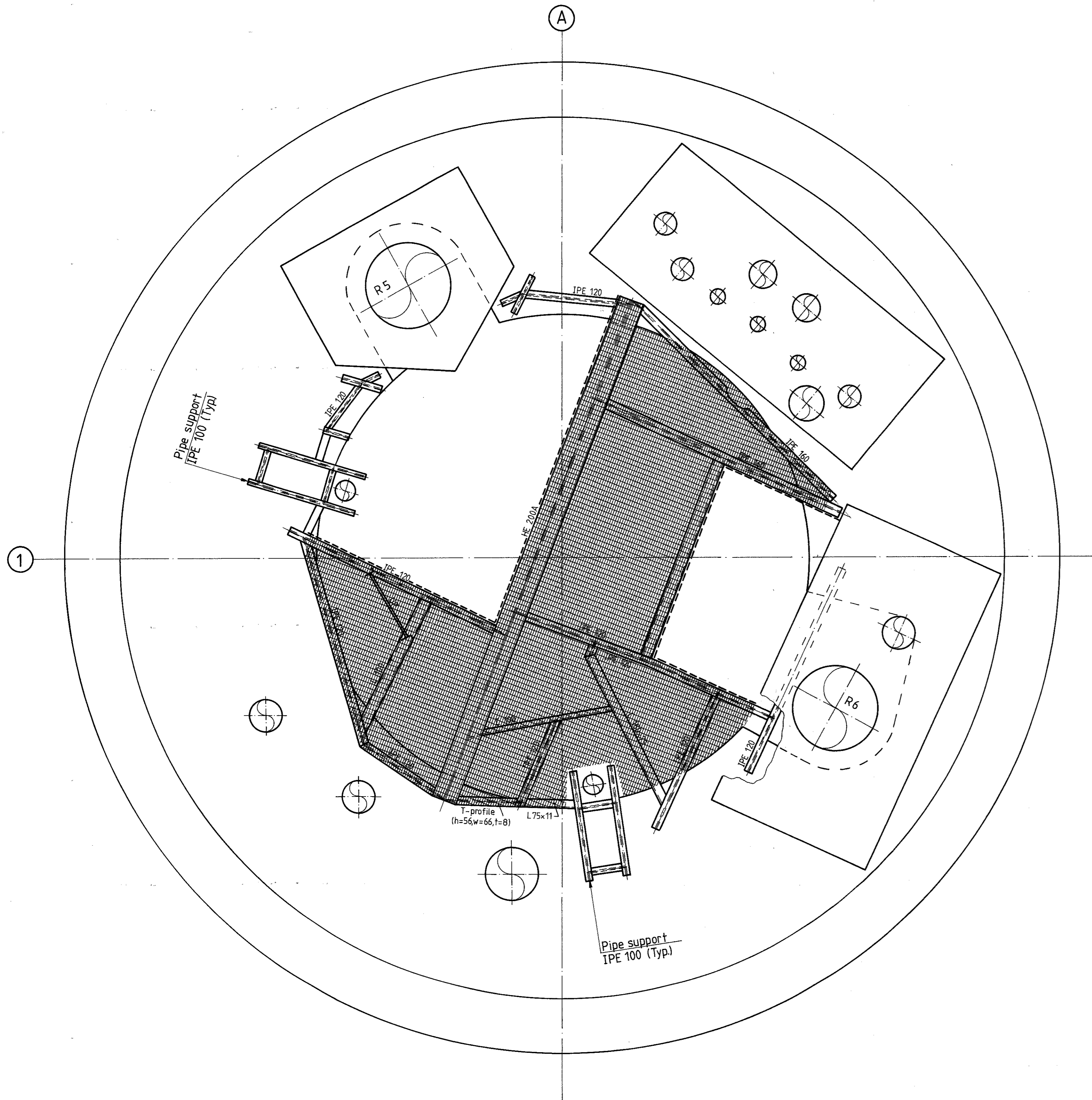
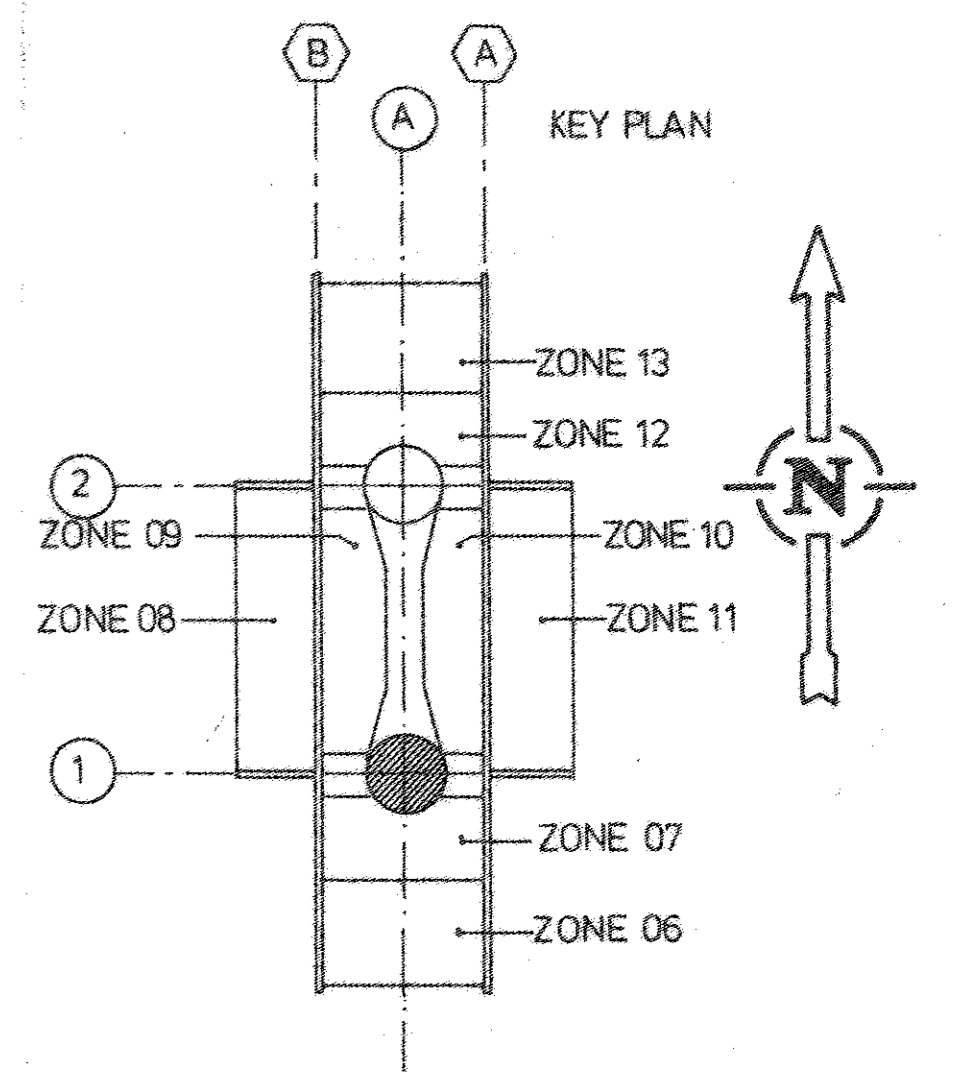


REFERENCE DRAWING:

FF 95 21 23 12 44.



Existing framing column 1 level +5000



0	22.584	first issue	J.K.S.
rev.	date	DESCRIPTION	by app.

	elf aquitaine norge as p.o. box 168 - 4001 Stavanger		
	A1	Installation TP1	System STRUCTURE
Job no.	GRATING PLAN COLUMN 1		
Scale	LEVEL + 5 000		
Scale	1 : 20		
Drwg. no.	FF	95 21 23 12 67	Rev. 0 Sheet /
FRIGG FIELD			

SIN 4.1 Form 100316 12-1990