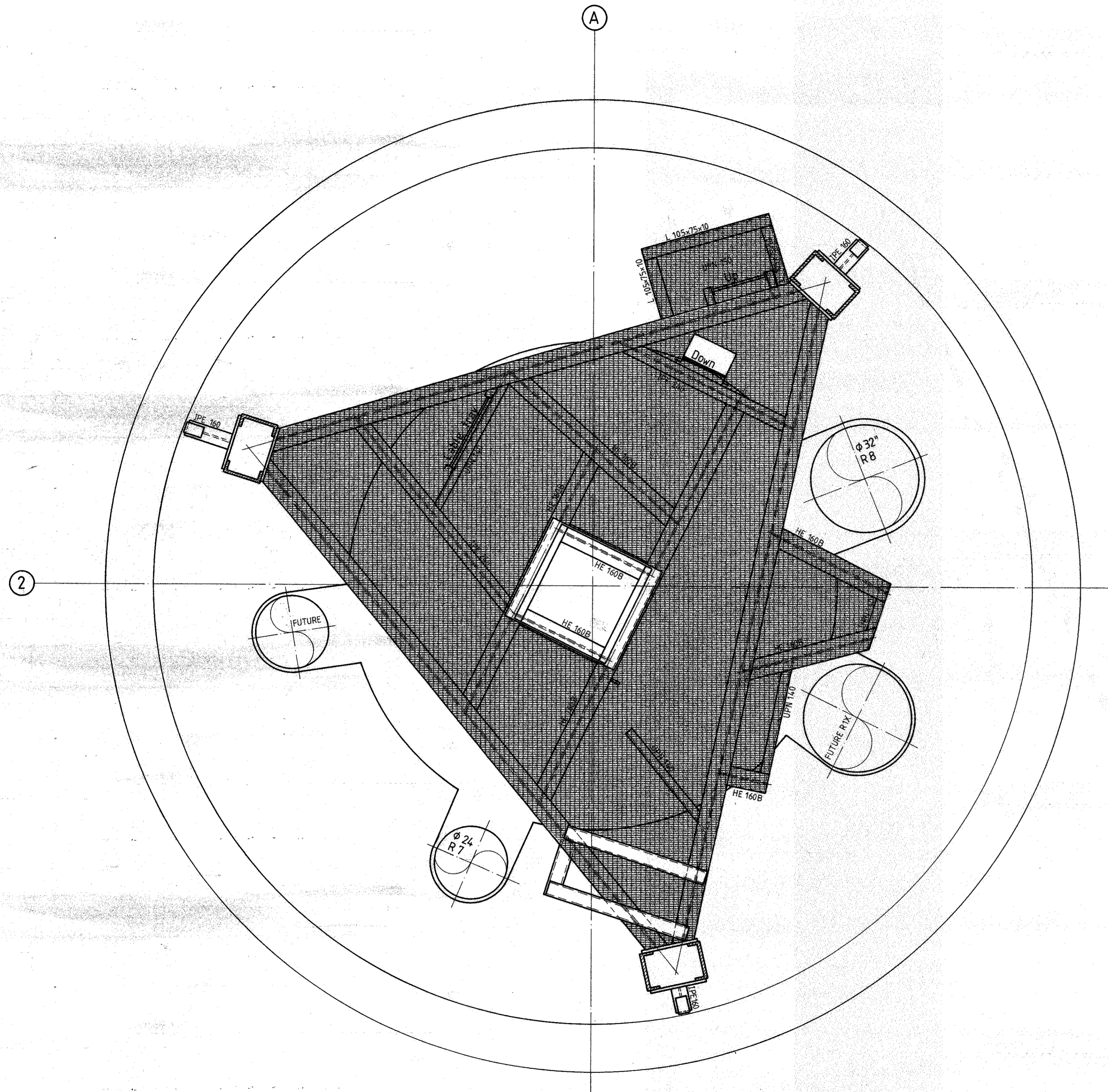
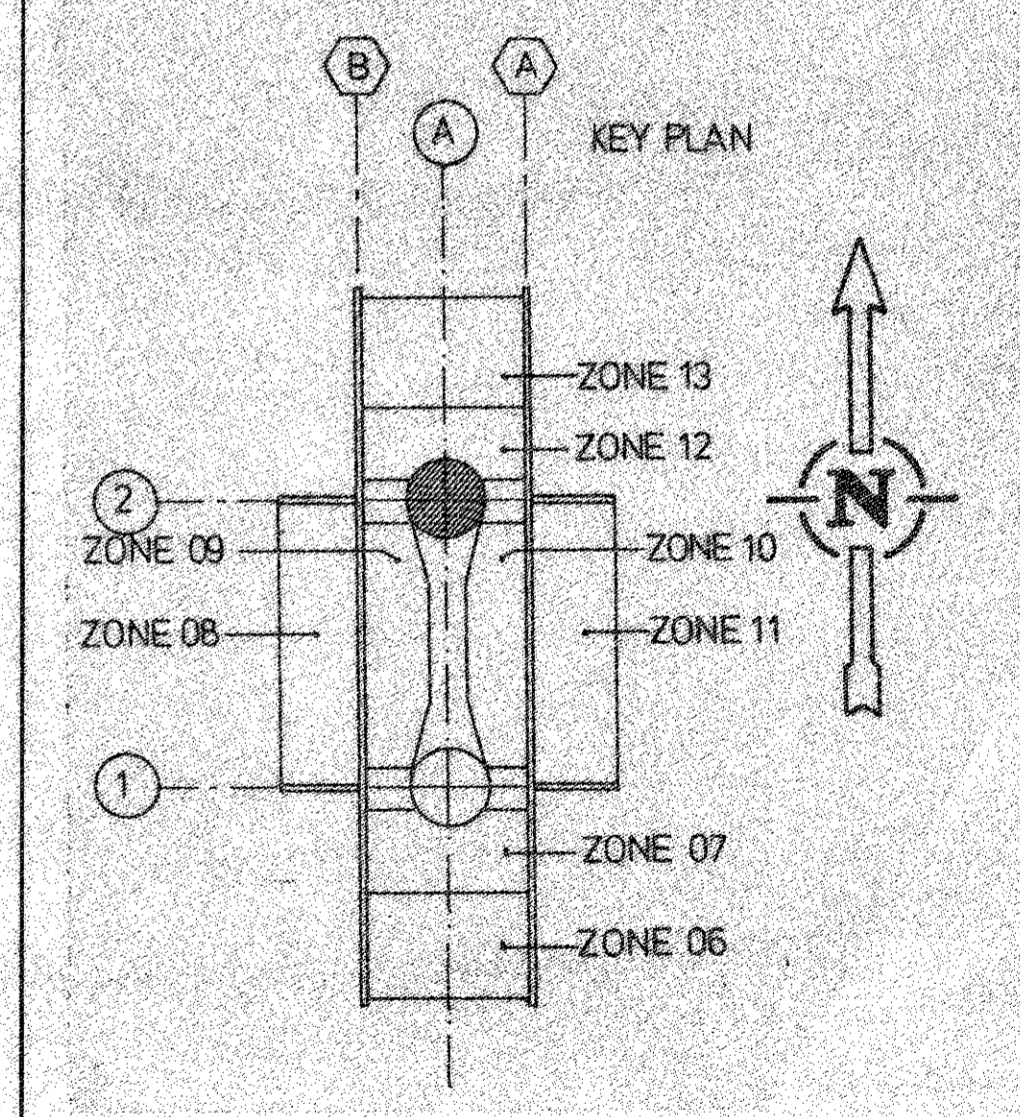


REFERENCE DRAWING:

FF 95 21 23 12 45.
FF-95-21-23-1271



Existing framing column 2 level +12 400



rev.	date	DESCRIPTION	by	app.
1	15/8-88	REF. DRG. ADDED	J.K.Y.	S.S.
0	22/5/84	first issue	J.K.Y.	

	elf aquitaine norge as p.o. box 168 - 4001 Stavanger	
	Installation:	System:
	A1	TP1
	STRUCTURE	
GRATING PLAN		
COLUMN 2		
LEVEL +12 400		
Job no.		
Scale:	1:20	
Drwg. no.	FF 95 21 23 12 68	Rev. 1
FRIGG FIELD	FF 95 21 23 12 68	Sheet 1/1