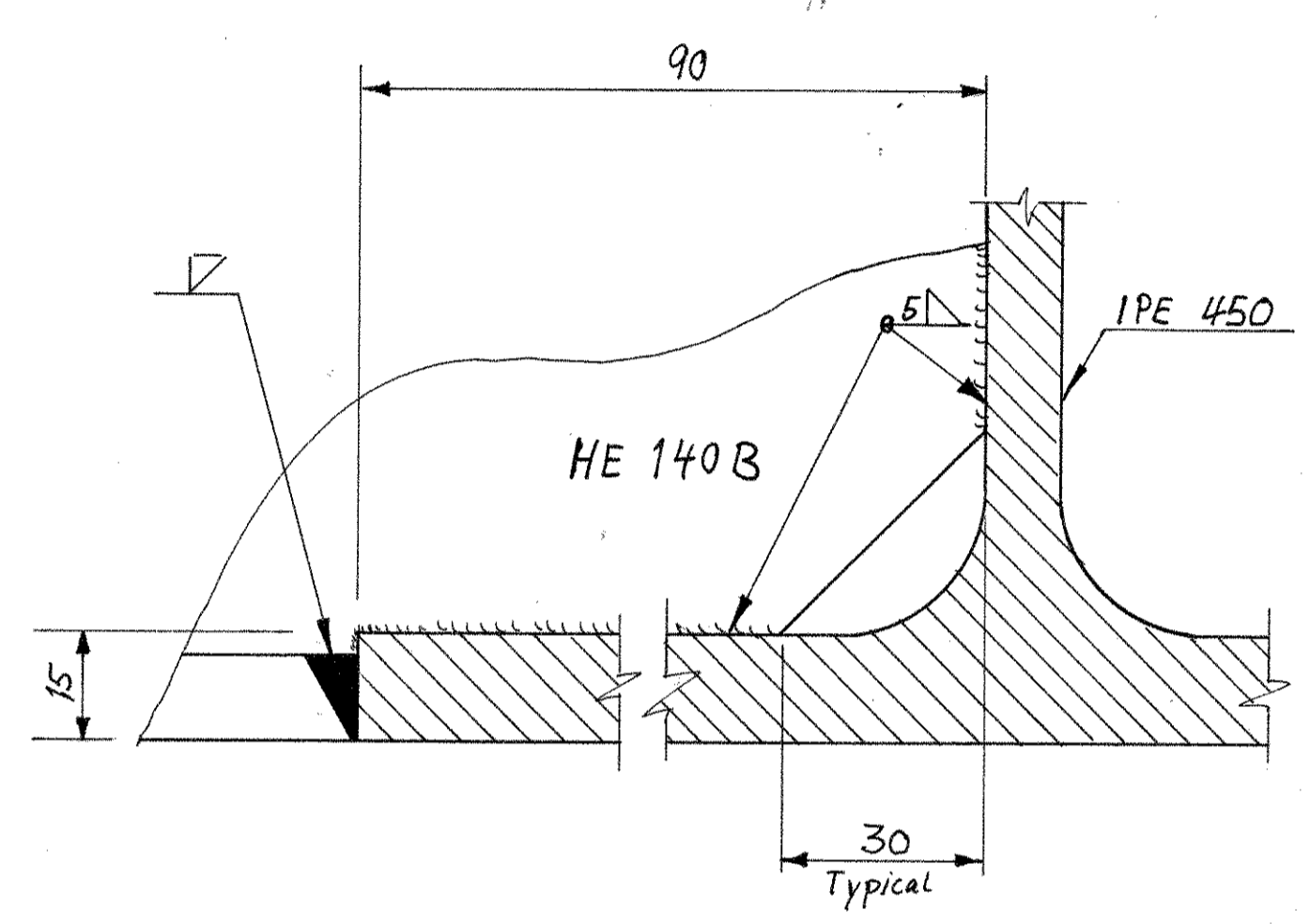


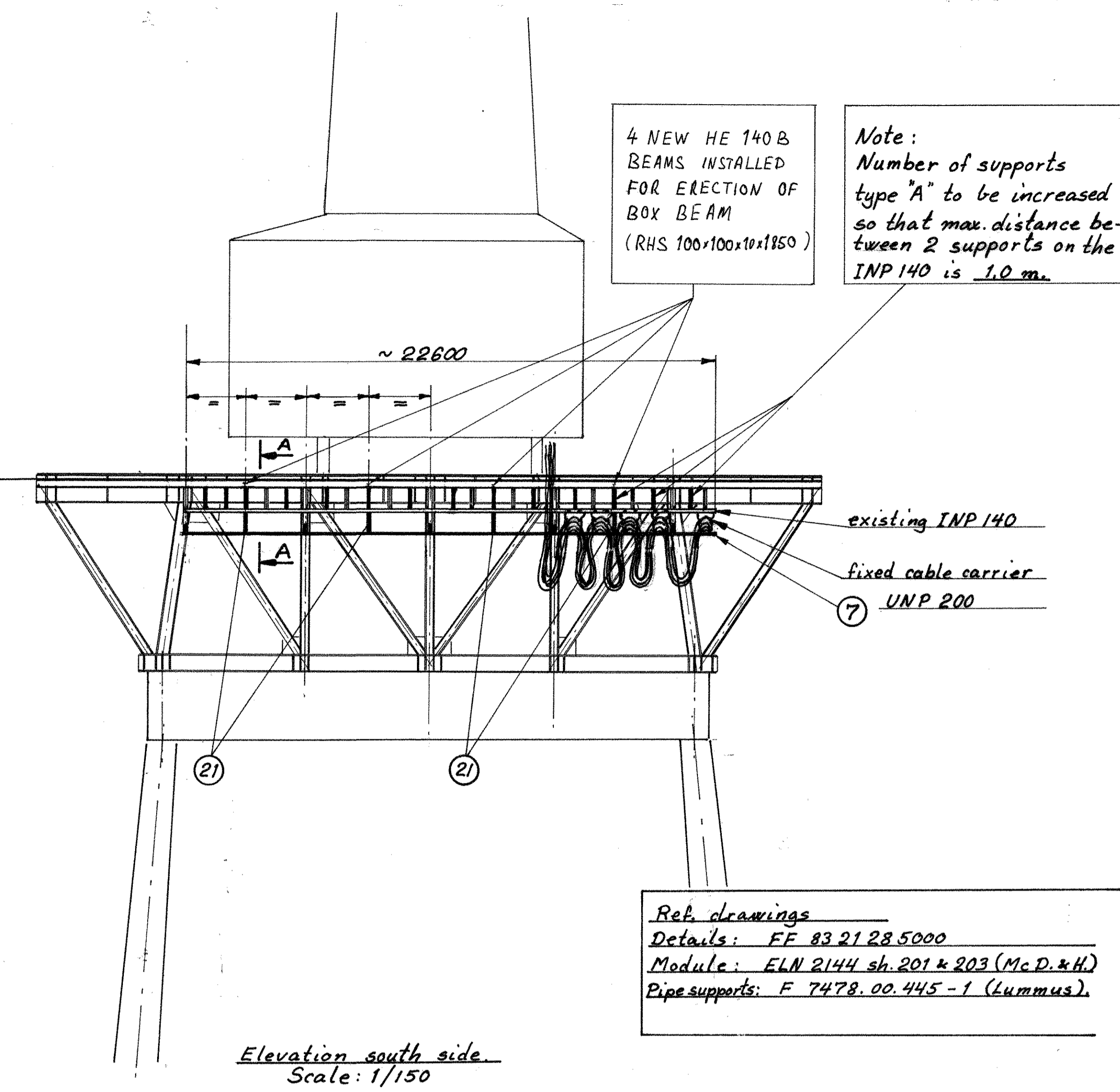
Cable carrier trolley, type Vahle W/N 140 R/490 modified  
No. off: 4

SECTION A-A  
Scale 1:10

Lower drilling deck el. 32600



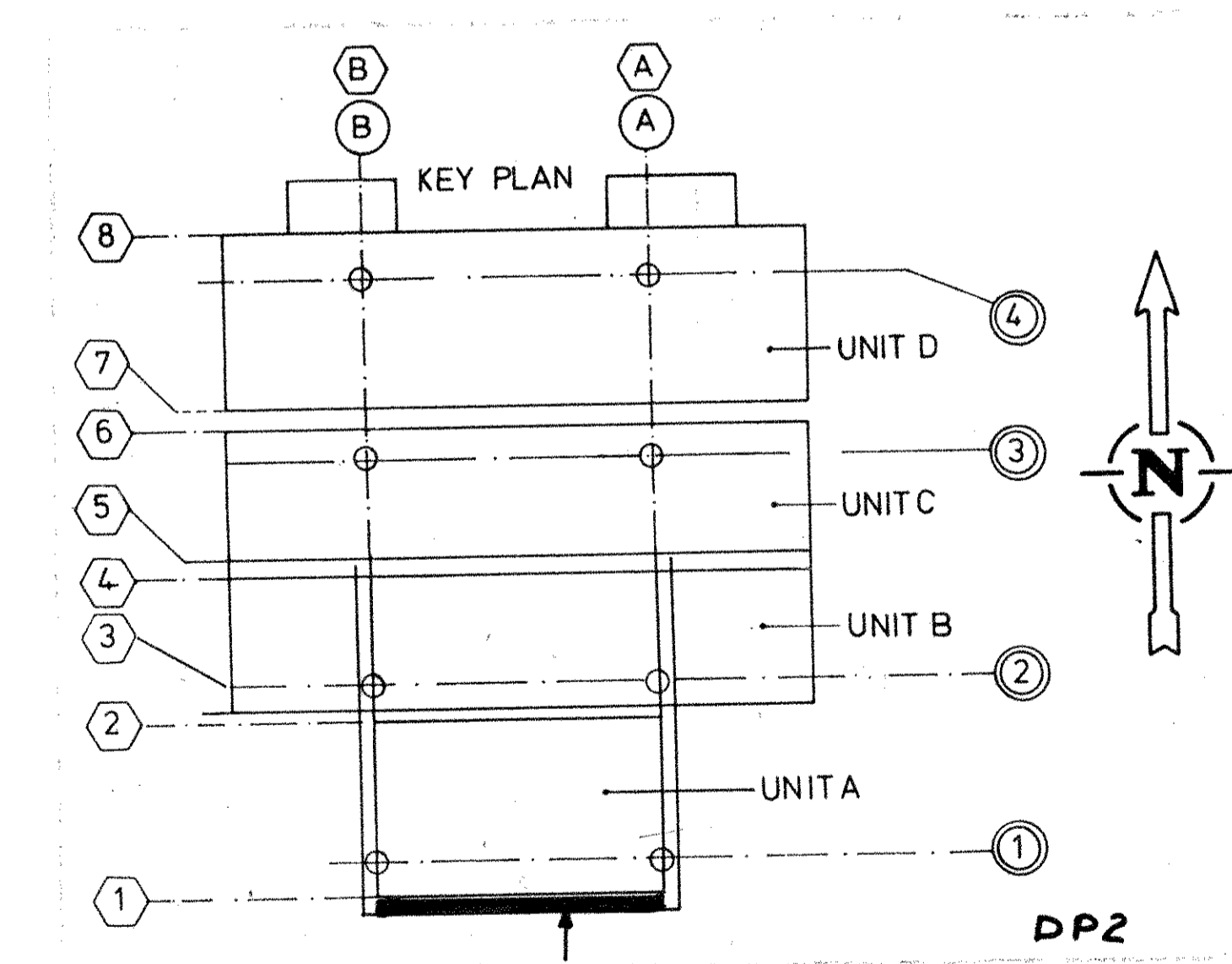
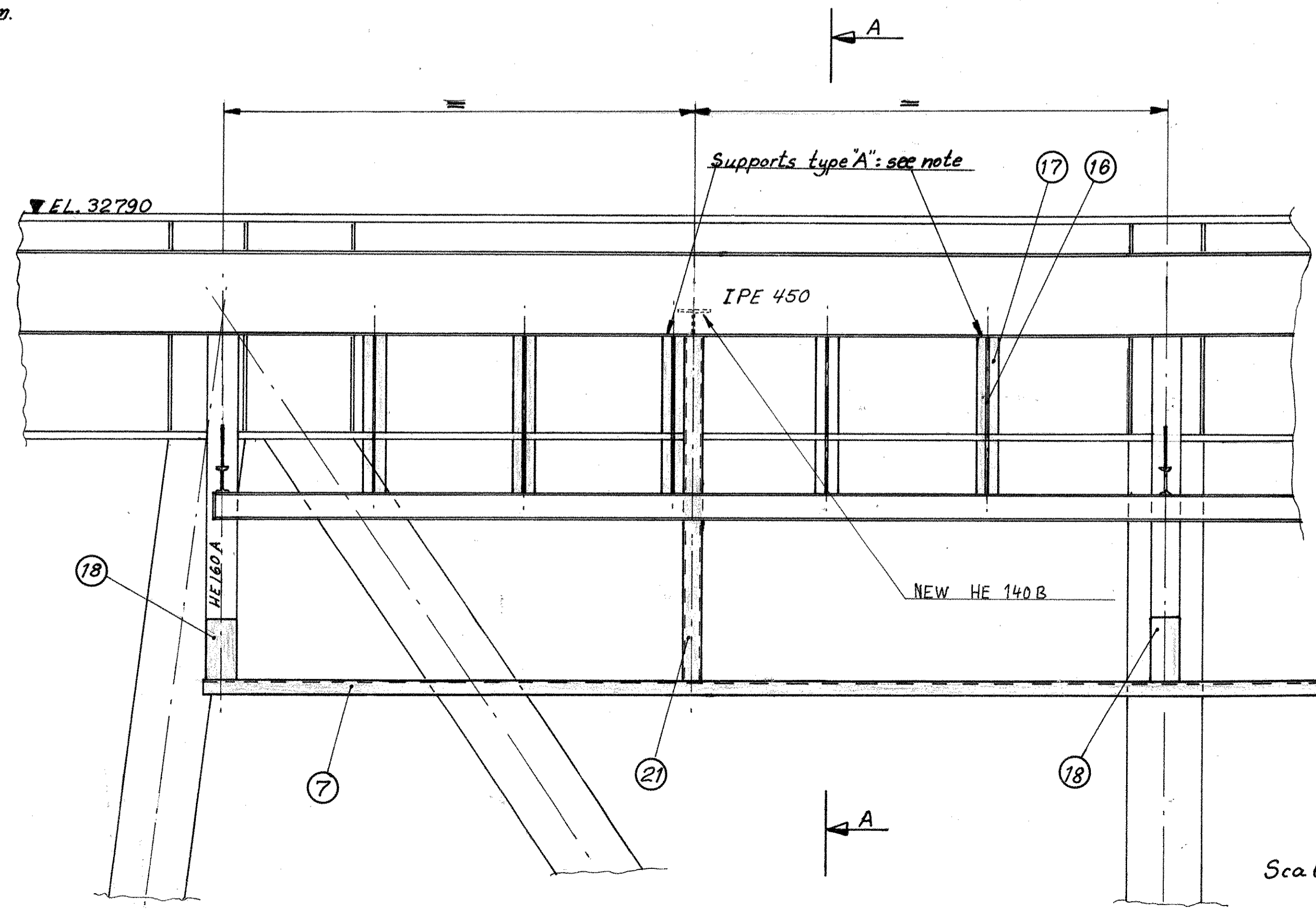
DETAIL 1  
Scale 1:1



4 NEW HE 140 B BEAMS INSTALLED FOR ERECTION OF BOX BEAM (RHS 100x100x10x1850)

Note:  
Number of supports type "A" to be increased so that max. distance between 2 supports on the INP 140 is 1.0 m.

Ref. drawings  
 Details: FF 83 21 28 5000  
 Module: ELN 2144 sh. 201 & 203 (Mc.D. & H.)  
 Pipesupports: F 7478.00.445-1 (Lummus).



1	11.10.83	As Built		
0	26-87	first issue		
rev.	date	DESCRIPTION	by	app.

**elf aquitaine norge as** p.o. box 168 - 4001 Stavanger  
 Installation System  
 DP 2 STRUCTURAL  
 Guiding system for cable carrier trolleys (proposal) Arrangement  
 Job no.  
 Scale As VisED  
 Drawg no. FF 83 21 28 50 00  
 Rev. 1  
 Sheet /