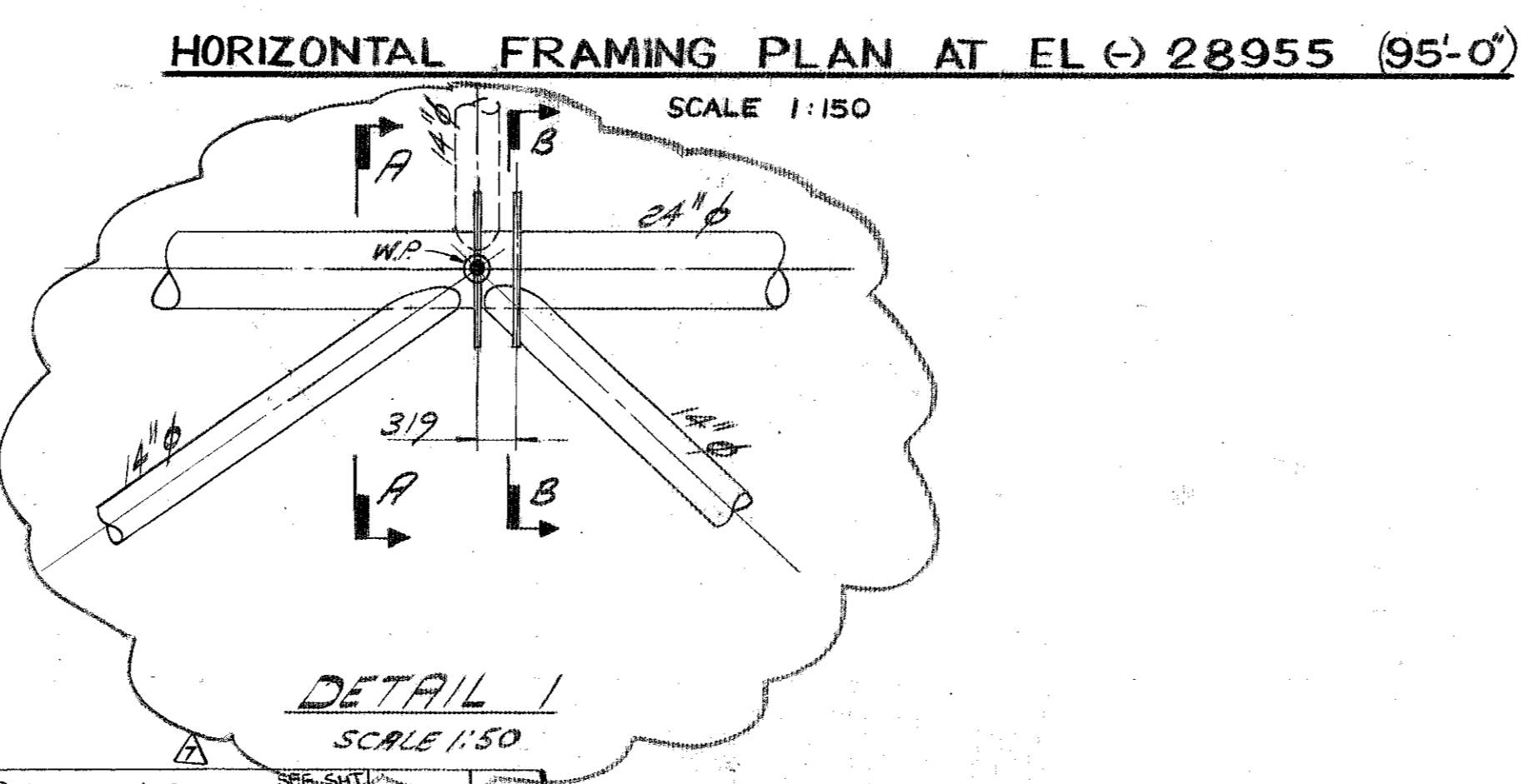
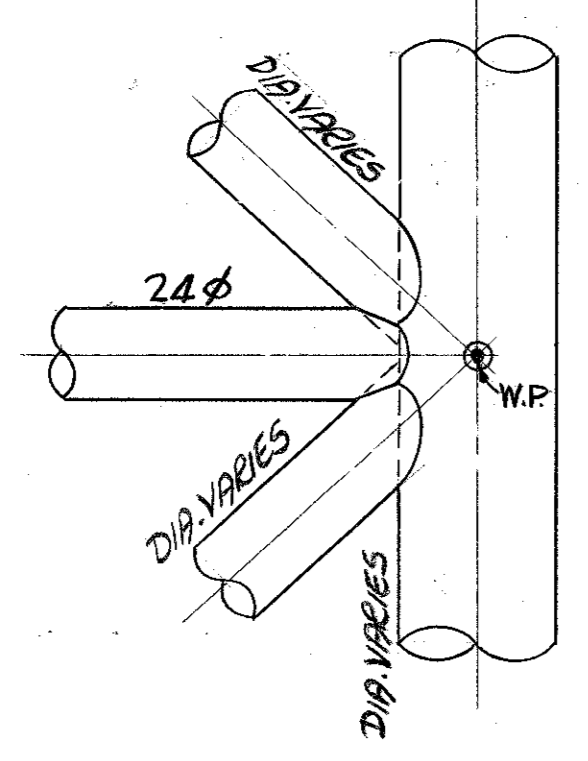


**NOTES :-**  
 1) ALL DIMENSIONS IN BRACKETS ARE IMPERIAL EQUIVALENTS  
 2) ALL MATERIAL ON THIS SHT TO BE HIGH STRENGTH (-10) STEEL EXCEPT 24" Ø .500 & 14" Ø .500 MARKED THUS ⊗ WHICH IS TO BE NON-STRUCTURAL MILD STEEL.  
 3) FOR GENERAL NOTE SEE SHT.101

**REFERENCE DRAWINGS :-**  
 CONDUCTOR } ELN 2144  
 GUIDE FRMG. } SHT.110  
 HORIZ FRAMING PLAN } ELN 2144  
 @ EL (-) 40955 (20°-0") } SHT. 104



DESIGN	ELEC.	INSTR.	PIPING	STRUCT.	NO.	BY	DATE	REVISIONS	DATE	APP.
D.N.E.					16	PSM	7/5/76	DETAIL 1 ADDED	11-5-76	
					6	APM	8/5/76	TWO 8 3/8" Ø ELECTRICAL RISERS REMOVED	11/17/76	
					5	AB	7/JUN/75	DET 4 SIM DET 104-G ADDED DET 104-B & DET 106-1 ADDED	18/1/75	
					4	R	5-6-75	2-24" Ø .750 MEMBERS REMOVED BUOYANCY TANKS & RISERS BEFS ADDED	10-6-75	

**ELF-NORGE A/S  
NORWAY**

**DRILLING PLATFORM NO.2**

NORTH SEA FRIGG FIELD W.D. 100.M

**McDERMOTT - HUDSON**  
LONDON - ENGLAND

APPROVED: *[Signature]*  
 McDERMOTT - HUDSON  
 DATE: 15 July 74  
 ENGINEER'S APPROVAL

PROJECT: *[Signature]* 15/7/74  
 STRUCTURAL: *[Signature]* 16-2-74  
 MECHANICAL: *[Signature]*  
 ELECTRICAL: *[Signature]*  
 INSTRUMENT: *[Signature]*  
 FAB. CHECK: *[Signature]* 10/7/74  
 PROP. CHECK: *[Signature]*

DRAWN BY: **MG RADLEY** SCALE: 1:150 DATE: 30-MAY-74  
 SHEET NO. 106

**HORIZ. FRMG. PLAN AT EL (-) 28955 (95°-0')**