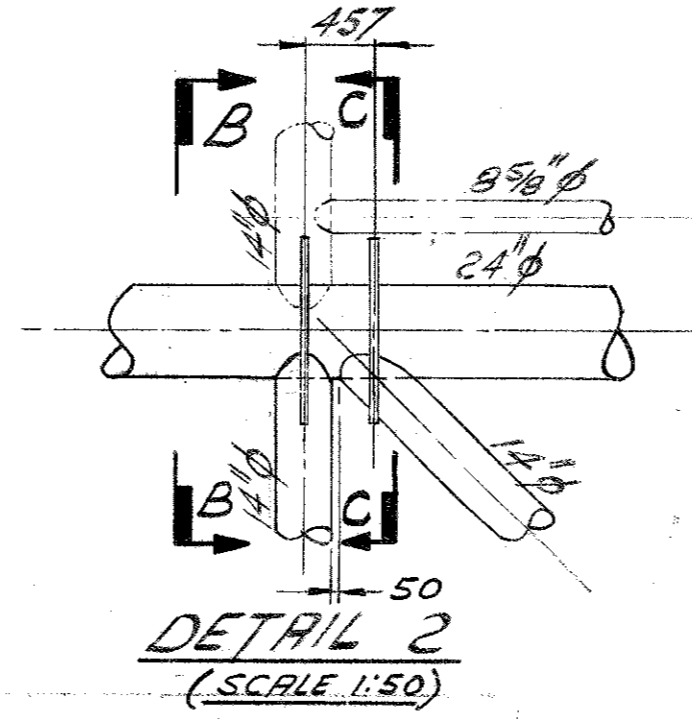
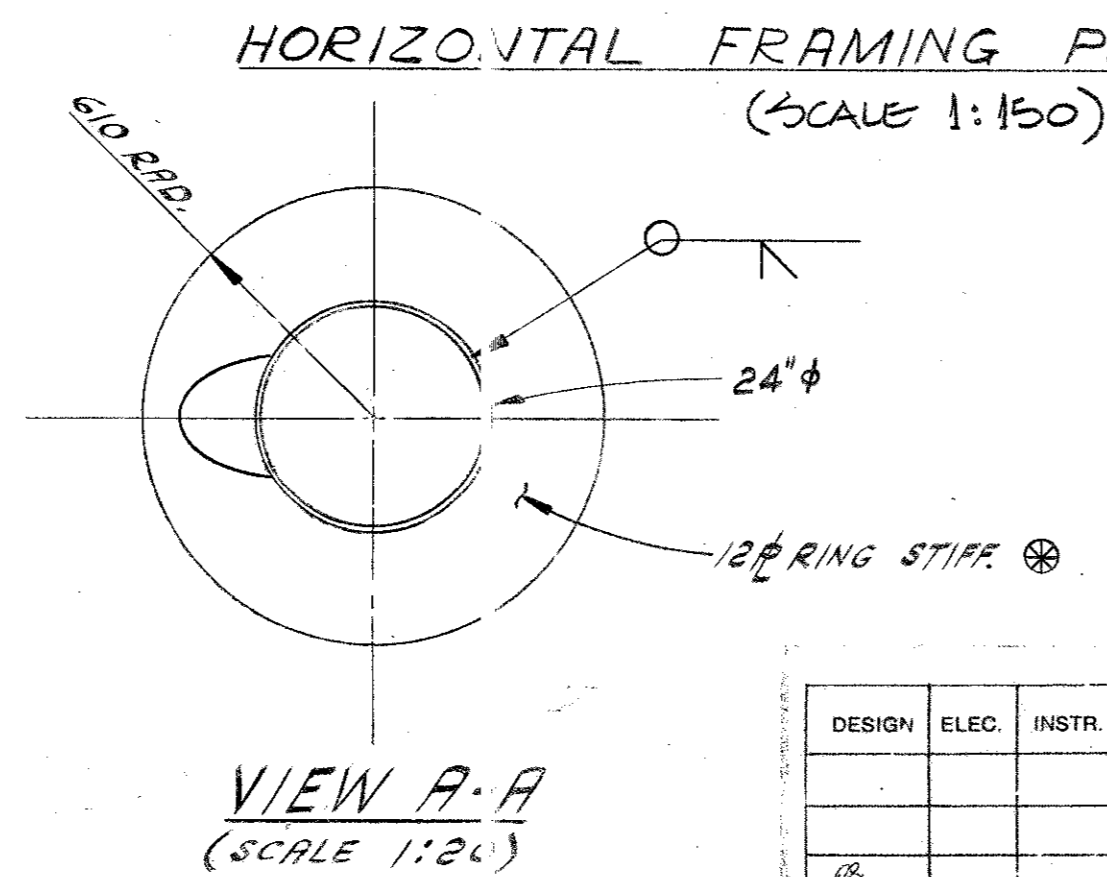
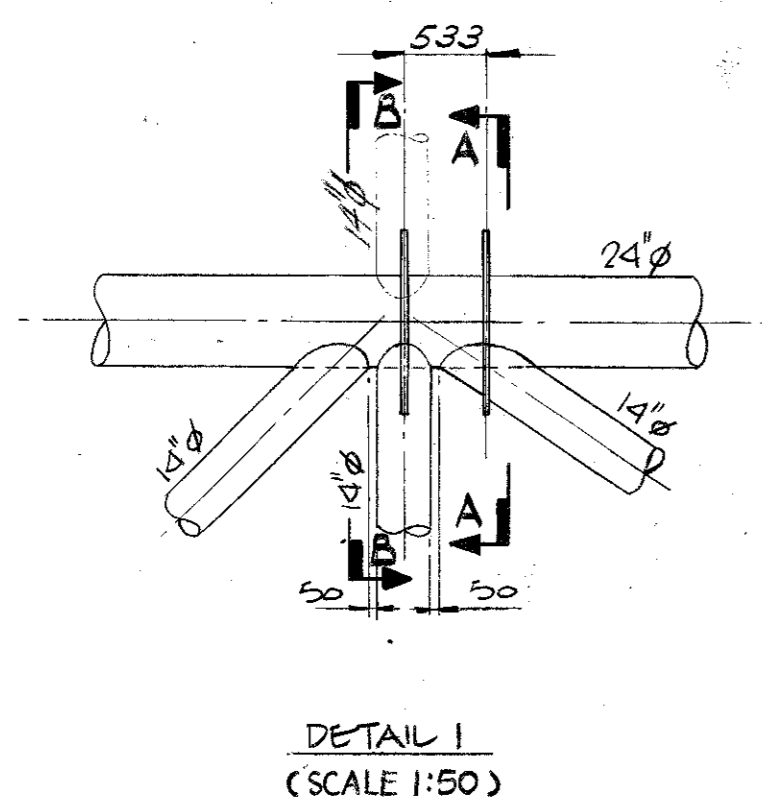


- NOTES**
- 1) ALL DIMENSIONS IN BRACKETS ARE IMPERIAL EQUIVALENTS
  - 2) ALL MATERIAL ON THIS SHT. TO BE HIGH STRENGTH (H-10) STEEL EXCEPT 24" Ø .500 AND 14" Ø .500 MARKED THUS (M) WHICH IS TO BE NON-STRUCTURAL MILD STEEL.
  - 3) FOR GENERAL NOTE SEE SHT. 101

- REFERENCE DRAWINGS**
- CONDUCTOR GUIDE } ELN 2144
  - FRAMING } SHT. 110
  - 20" Ø 28" Ø 30" Ø CASINGS } ELN 2144
  - GUIDE DETAILS @ E } SHT. 151
  - "EL" @ 11430 } SHT. 151
  - HORIZ. FRAMING PLAN } ELN 2144
  - @ EL(-) 6095 (20'-0") } SHT. 104
  - ARRGT. & DET. OF 4 1/2" Ø } ELN 2144
  - CONDENSATE RISER } SHT. 144
  - ARRGT. & DET. OF 8" Ø } ELN 2144
  - KILL RISER } SHT. 145
  - ARRGT. & DET. OF 8 3/8" Ø } ELN 2144
  - ELECTRICAL RISERS } SHT. 146
  - ARRGT. & DET. OF 26" Ø } ELN 2144
  - PRODUCTION RISER } SHT. 147
  - DETAILS OF GUIDES FOR 144" Ø } ELN 2144
  - BUOYANCY TANKS } SHT. 156
  - DETAILS OF GUIDES FOR 100" Ø } ELN 2144
  - BUOYANCY TANKS } SHT. 158
  - 16" Ø & 24" Ø CASING GUIDES } ELN 2144
  - & CLAMPS @ EL(-) 11430 & EL(-) 6095 } SHT. E159



HORIZONTAL FRAMING PLAN AT EL(-)11430 (SCALE 1:150)

VIEW A-A (SCALE 1:20)

DESIGN	ELEC.	INSTR.	PIPING	STRUCT.	NO.	BY	DATE	REVISIONS	DATE	APP.
EGS					9	PSW	30-MAY-74	DETAIL 1 AMENDED, DETAIL 2 ADDED	11-5-76	EGS
DMS					8	MGR	5-FB-76	12013 WAS 12062	5-2-76	DMS

DESIGN	ELEC.	INSTR.	PIPING	STRUCT.	NO.	BY	DATE	REVISIONS	DATE	APP.
EGS					7	TM	12-1-76	24" Ø SEAWATER CASINGS WERE 20" DIA	12-1-76	EGS
DMS					6	APW	18-3-75	11-0 5/8" Ø ELECTRICAL RISERS REM. MED	22-9-75	DMS
DMS					5	AB	7-14-75	REF TO DET 104-C & B ADDED. DETAIL 1 WAS DET 105-1	18-7-75	DMS
PDG					4	ERZ	20-6-78	GENERAL REVISION	4-1-78	PDG

10	ELN 2144	ELN NUMBERING, INLET SCREENS	REV. 10
REV. 10	DESCRIPTION		REV. 10
Contractor: <b>Mc DH</b>			
Dwg. No. <b>FF 83 36 28 530</b>		Rev. <b>40</b>	
FRIGG FIELD			

**ELF-NORGE A/S**  
**NORWAY**

**DRILLING PLATFORM NO 2**

NORTH SEA      FRIGG FIELD      W.D. 100 M

**McDERMOTT - HUDSON**

LONDON - ENGLAND

APPROVED: *[Signature]*  
 IN CHARGE: *[Signature]*  
 DATE: 12 July 74  
 ENGINEERS APPROVAL

PROJECT	SCALE	DRAWN BY	DATE	DWG NO.
STRUCTURAL	AS NOTED	PR. HOWARD	4 JUN 74	ELN 2144
MECHANICAL				
ELECTRICAL				
INSTRUMENT				
CHECK				
PROG. CHECK				

HORIZONTAL FRMG PLAN AT EL(-)11430 (37'-6")

FAB. STDS. REQ'D. THIS SHT

DESIGN	ELEC.	INSTR.	PIPING	STRUCT.	NO.	BY	DATE	REVISIONS	DATE	APP.
EGS					7	TM	12-1-76	24" Ø SEAWATER CASINGS WERE 20" DIA	12-1-76	EGS
DMS					6	APW	18-3-75	11-0 5/8" Ø ELECTRICAL RISERS REM. MED	22-9-75	DMS
DMS					5	AB	7-14-75	REF TO DET 104-C & B ADDED. DETAIL 1 WAS DET 105-1	18-7-75	DMS
PDG					4	ERZ	20-6-78	GENERAL REVISION	4-1-78	PDG