

NOTES.

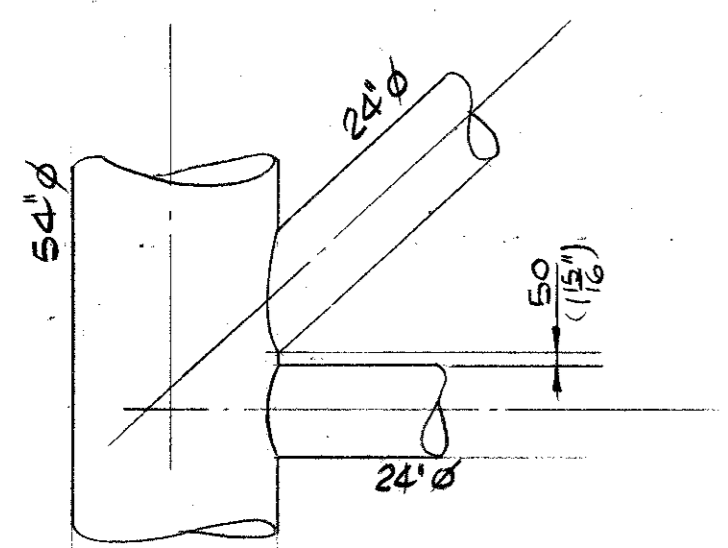
- 1) ALL DIMENSIONS IN BRACKETS ARE IMPERIAL EQUIVALENTS
- 2) ALL MATERIAL ON THIS SHT. TO BE HIGH STRENGTH (-10) STEEL EXCEPT WHERE MARKED THIS WHICH IS TO BE NON-STRUCTURAL MILD STEEL.
- 3) FOR GENERAL NOTES SEE SHT N^o 101.

REFERENCE DRAWINGS.

CONDUCTOR GUIDE FRMG. } ELN 2144
SHT. III

HORIZONTAL FRMG. PLAN AT EL (-) 10000 (328'-1")

SCALE 1:150



DETAIL 1
SCALE 1:50

ELF-NORGE A/S NORWAY	
DRILLING PLATFORM NO.2	
NORTH SEA	FRIGG FIELD
McDERMOTT - HUDSON	
LONDON - ENGLAND	
APPROVED: <i>[Signature]</i>	DATE: 15 July 74
PROJECT: ELF-NORGE A/S	SCALE: AS NOTED
STRUCTURAL: <i>[Signature]</i>	DATE: 31 MAY 74
M.E.S.S.: <i>[Signature]</i>	DWG. NO. ELN 2144
Mechanical:	DESIGNED BY: <i>[Signature]</i>
Electrical:	SHEET NO. 109
Instrument:	
Final Check: <i>[Signature]</i>	
Prep. Check: <i>[Signature]</i>	

FAB. STDS. REQ'D. THIS SHT									
DESIGN	ELEC.	INSTR.	PIPING	STRUCT.	NO.	BY	DATE	REVISIONS	DATE
					6	T.M.	6.12.74	CANS AROUND CONDUCTOR GUIDE FRAMING ADDED.	6-1-76
					5	A.B.	8.7.75	REF. 6. ELEC. T ADDED DET. 108-2 WAS 24" x 500. DET. 108-1 WAS 24" x 500. SCALE ADJUSTED 1:150.	18/7/75