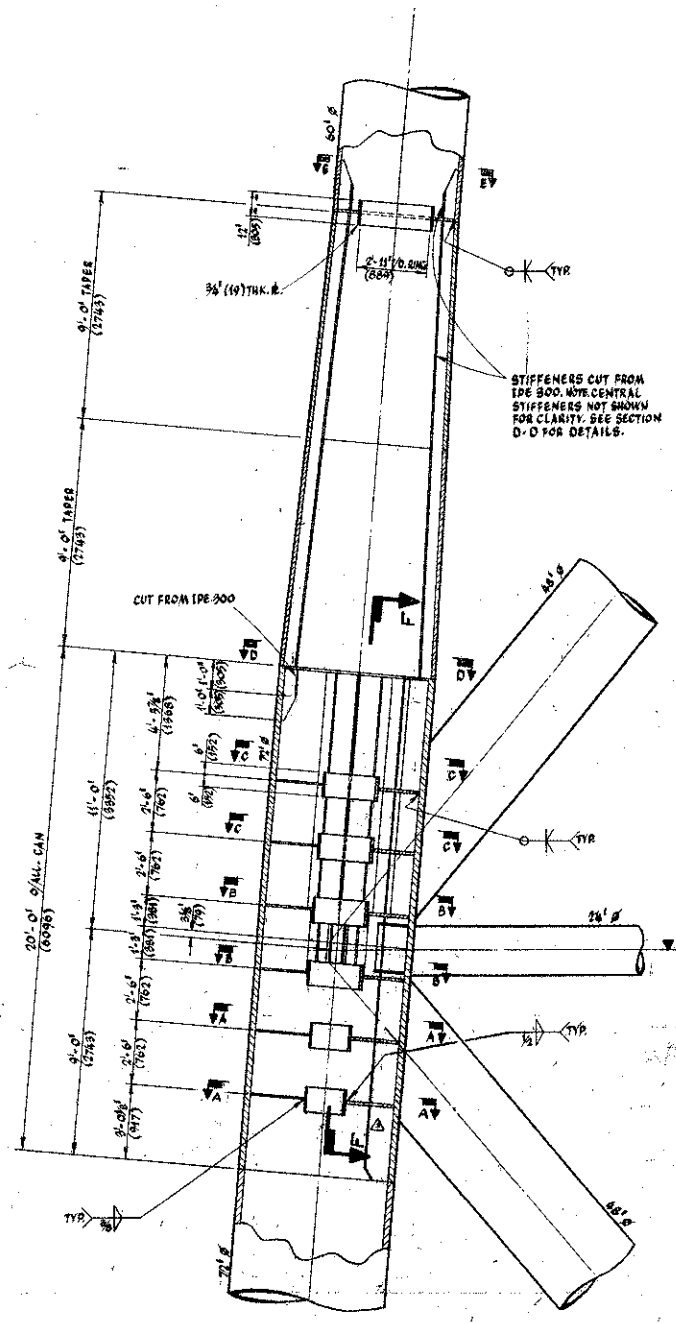
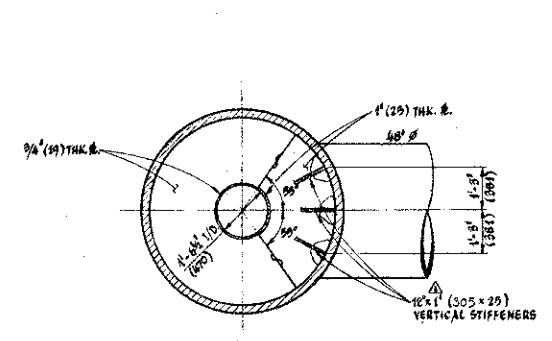


elf norge a.s.
 DWG NO. FF 331.210.040
 REV. : 0 DATE: 09.10.74
 NORW.

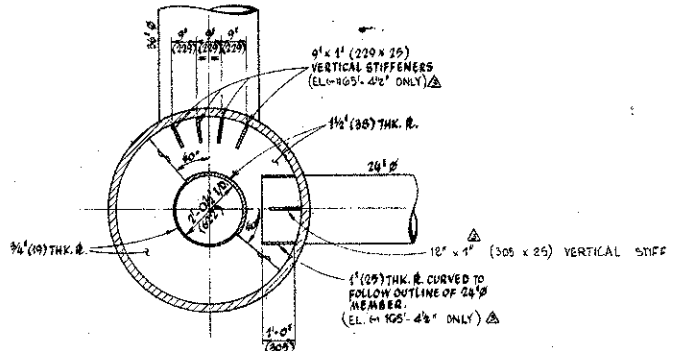
NOTES
 ① DIMENSIONS SHOWN IN BRACKETS ARE METRIC EQUIVALENTS IN MILLIMETERS.
 ② ALL STIFFENERS & STIFFENER RINGS TO BE HIGH STRENGTH STEEL.



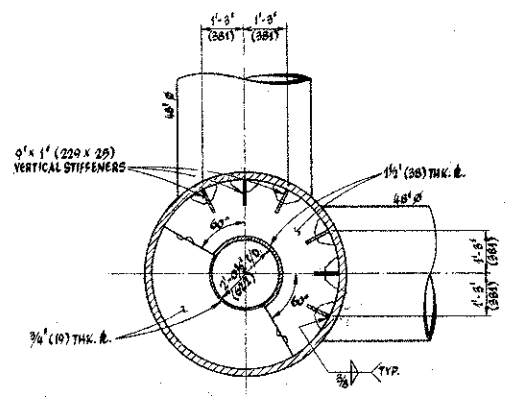
INTERNAL JOINT STIFFENING AT CORNER LEGS
 EL. (-) 169'-4 1/2" (50406)
 SCALE: 3/8" = 1'-0"



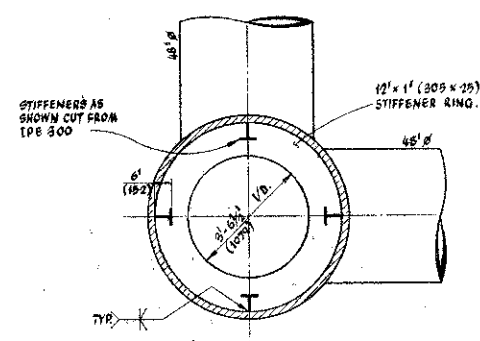
ENLARGED SECTION A-A
 SCALE: 3/8" = 1'-0"



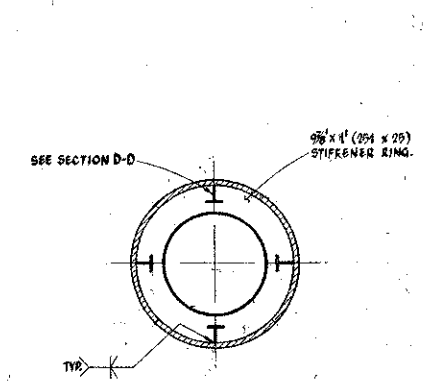
ENLARGED SECTION B-B
 SCALE: 3/8" = 1'-0"



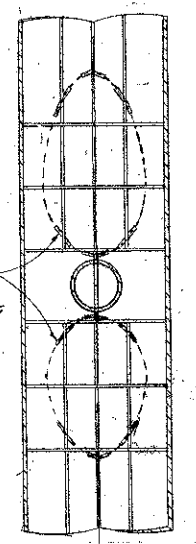
ENLARGED SECTION C-C
 SCALE: 3/8" = 1'-0"



ENLARGED SECTION D-D
 SCALE: 3/8" = 1'-0"

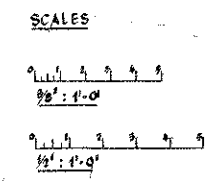


ENLARGED SECTION E-E
 SCALE: 3/8" = 1'-0"



SECTION F-F

REFERENCE DRAWINGS
 MCD - H DRAWINGS:
 JACKET VERTICAL FRAMING (DWG. NO. ELN 02020) AT COL. LINES 1 & 4 (SHEET NOS. 1-359 & 106)



elf norge a.s.
 DWG NO. FF 331.210.040
 REV. : 0 DATE: 09.10.74
 NORW.

ELF-NORGE A/S NORWAY	
24 WELL SELF-CONTAINED	
DRILLING PLATFORM No 1	
NORTH-SEA	FRIGG FIELD
WD 98 M	
McDERMOTT - HUDSON	
LONDON - ENGLAND	
DESIGNED BY <i>[Signature]</i>	CHECKED BY <i>[Signature]</i>
DATE: 14 FEB 1978	SCALE: AS NOTED
INTERNAL JOINT STIFFENING AT CORNER LEGS	

NO.	DATE	BY	REVISIONS
1	09.10.74	[Signature]	ISSUED FOR CONSTRUCTION
2	11.11.74	[Signature]	REVISIONS TO CORNER LEGS
3	12.12.74	[Signature]	REVISIONS TO CORNER LEGS
4	01.01.75	[Signature]	REVISIONS TO CORNER LEGS