

elf norge a/s

dwg no. FF 331.210.039

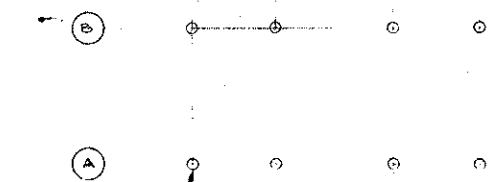
rev. : 0 date: 09.10.74

80975

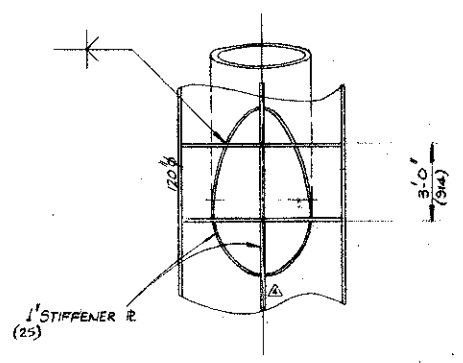
NOTES

1. DIMENSIONS SHOWN IN BRACKETS ARE METRIC EQUIVALENTS IN MILLIMETRES
2. ALL MATERIAL TO BE HI-STRENGTH STEEL.

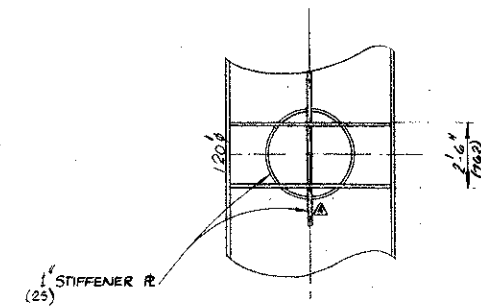
1 2 3 4



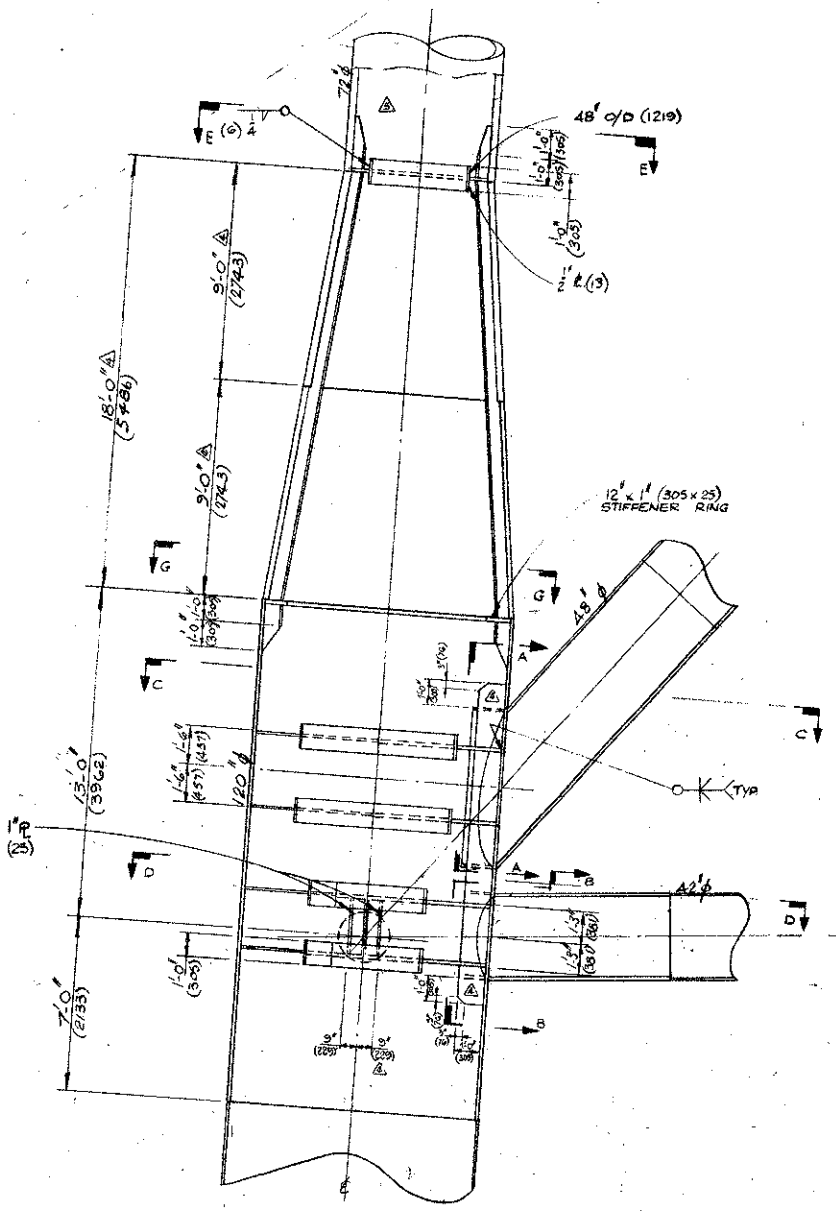
KEY PLAN



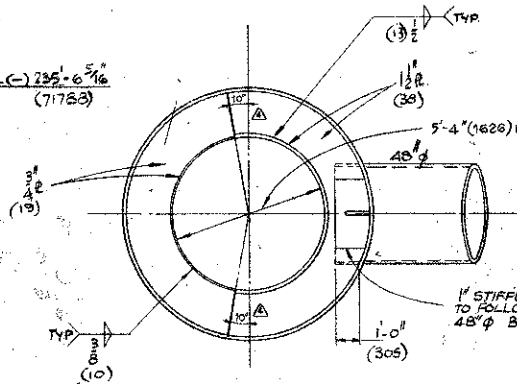
SECTION A-A



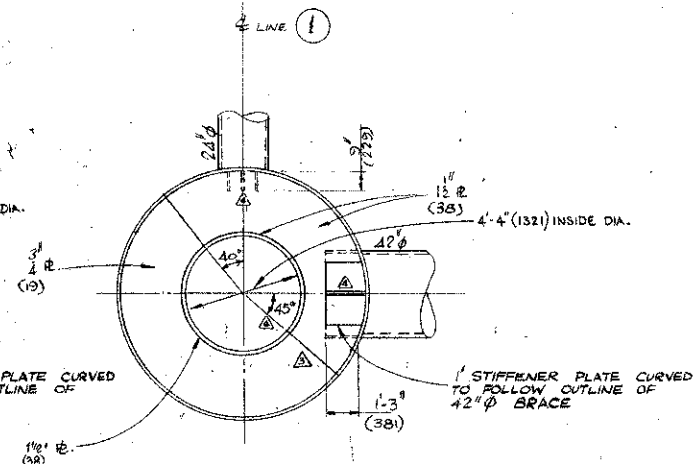
SECTION B-B



ELC-1 235-6 5/16 (71783)



SECTION C-C



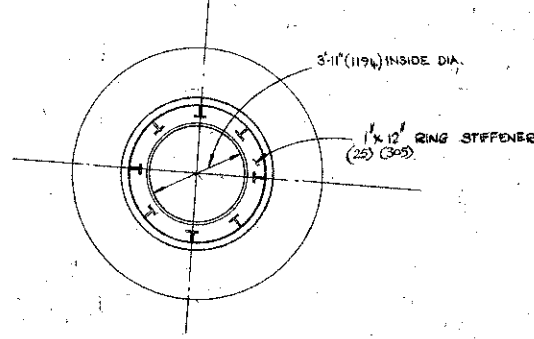
SECTION D-D

REF. DRGS. MCDH DRGS. JACKET VERT. FRAMING } DRG 2020 AT COLUMN LINE B } SH. 122

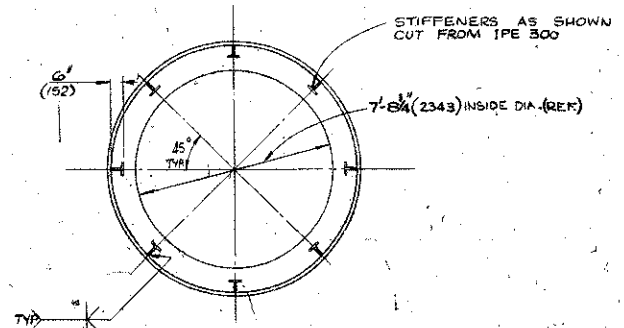
INTERNAL JOINT STIFFENING ELL-1 235-6 5/16 (71783)

ALL B4 AS SHOWN
B1 & A4 OPPOSITE HAND

20 JUL 1974

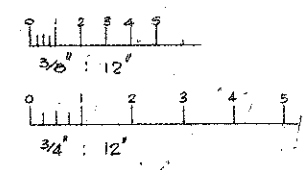


VIEW E-E



SECTION G-G

SCALES



elf norge a/s

dwg no. FF 331.210.039

rev. : 0 date: 09.10.74

80975

ELF-NORGE A/S NORWAY	
24 WELL SELF-CONTAINED DRILLING PLATFORM No 1	
NORTH SEA	FRIGG FIELD
MCDERMOTT - HUDSON	
LONDON - ENGLAND	
PROJECT: DRILLING PLATFORM No 1	DATE: 13-2-78
DESIGNED BY: ERWATKINS	DWG. NO.: ELN 02020
CHECKED BY: R. B. S. I. R.	SCALE: 3/8" = 12'
APPROVED BY: [Signature]	DATE: 13-2-78
INTERNAL JOINT STIFFENING ELL-1 235-6 5/16	

NO.	DATE	BY	CHKD.	REVISIONS
1	18-7-78	ERW	ERW	1" STIFF. PL. ADDED - DMS. DIMENSIONS & THICKER WALL RING STIFF. INCREASED IN CIRCUMFERENCE
2	22-8-78	ERW	ERW	1" STIFF. PL. ADDED - DMS. DIMENSIONS & THICKER WALL RING STIFF. INCREASED IN CIRCUMFERENCE
3	22-8-78	ERW	ERW	1" STIFF. PL. ADDED - DMS. DIMENSIONS & THICKER WALL RING STIFF. INCREASED IN CIRCUMFERENCE
4	22-8-78	ERW	ERW	1" STIFF. PL. ADDED - DMS. DIMENSIONS & THICKER WALL RING STIFF. INCREASED IN CIRCUMFERENCE
5	22-8-78	ERW	ERW	1" STIFF. PL. ADDED - DMS. DIMENSIONS & THICKER WALL RING STIFF. INCREASED IN CIRCUMFERENCE
6	22-8-78	ERW	ERW	1" STIFF. PL. ADDED - DMS. DIMENSIONS & THICKER WALL RING STIFF. INCREASED IN CIRCUMFERENCE