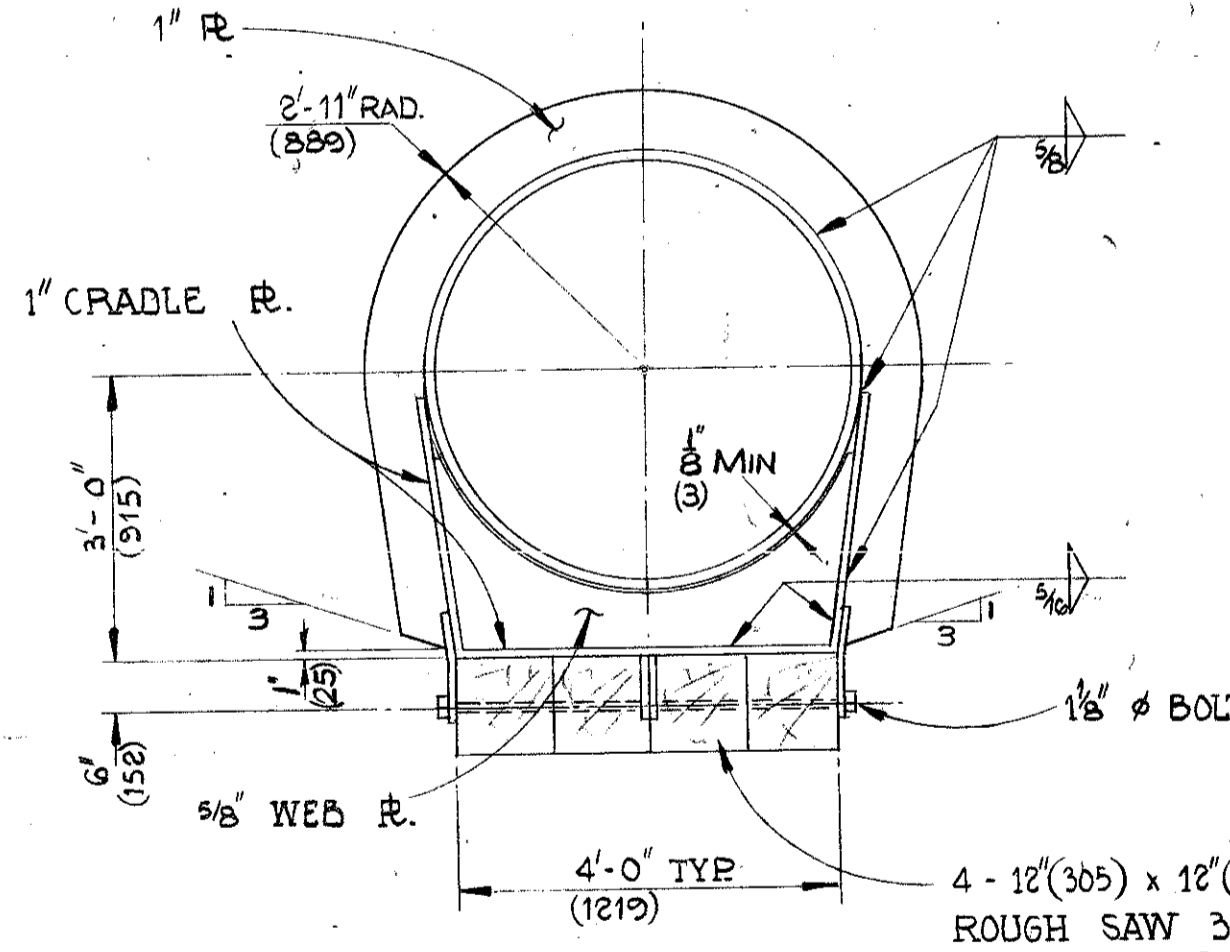
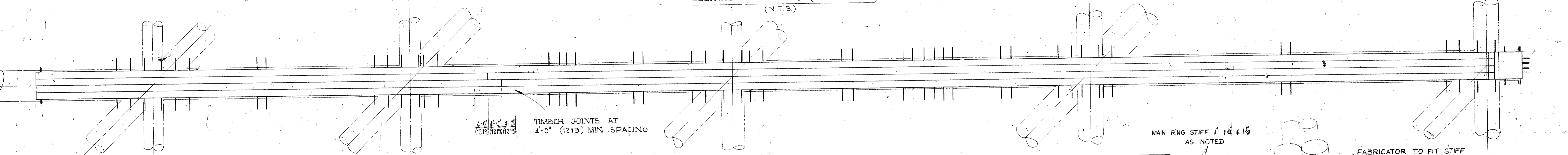
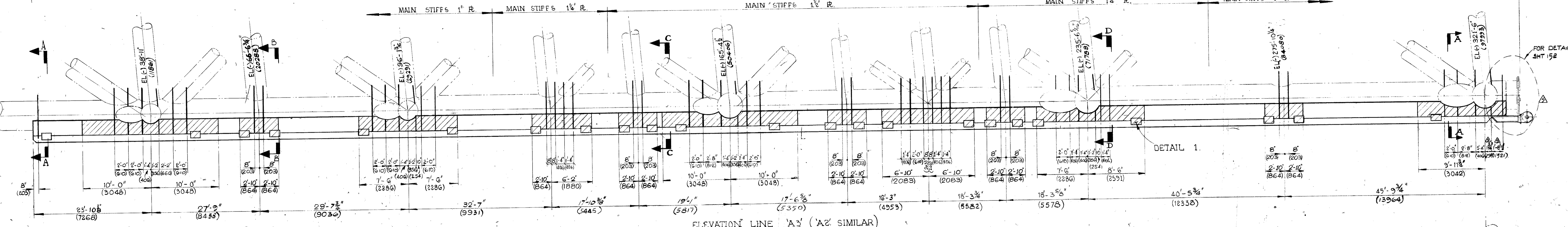
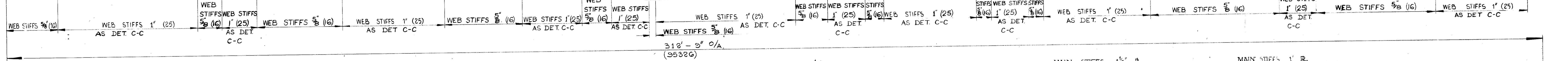
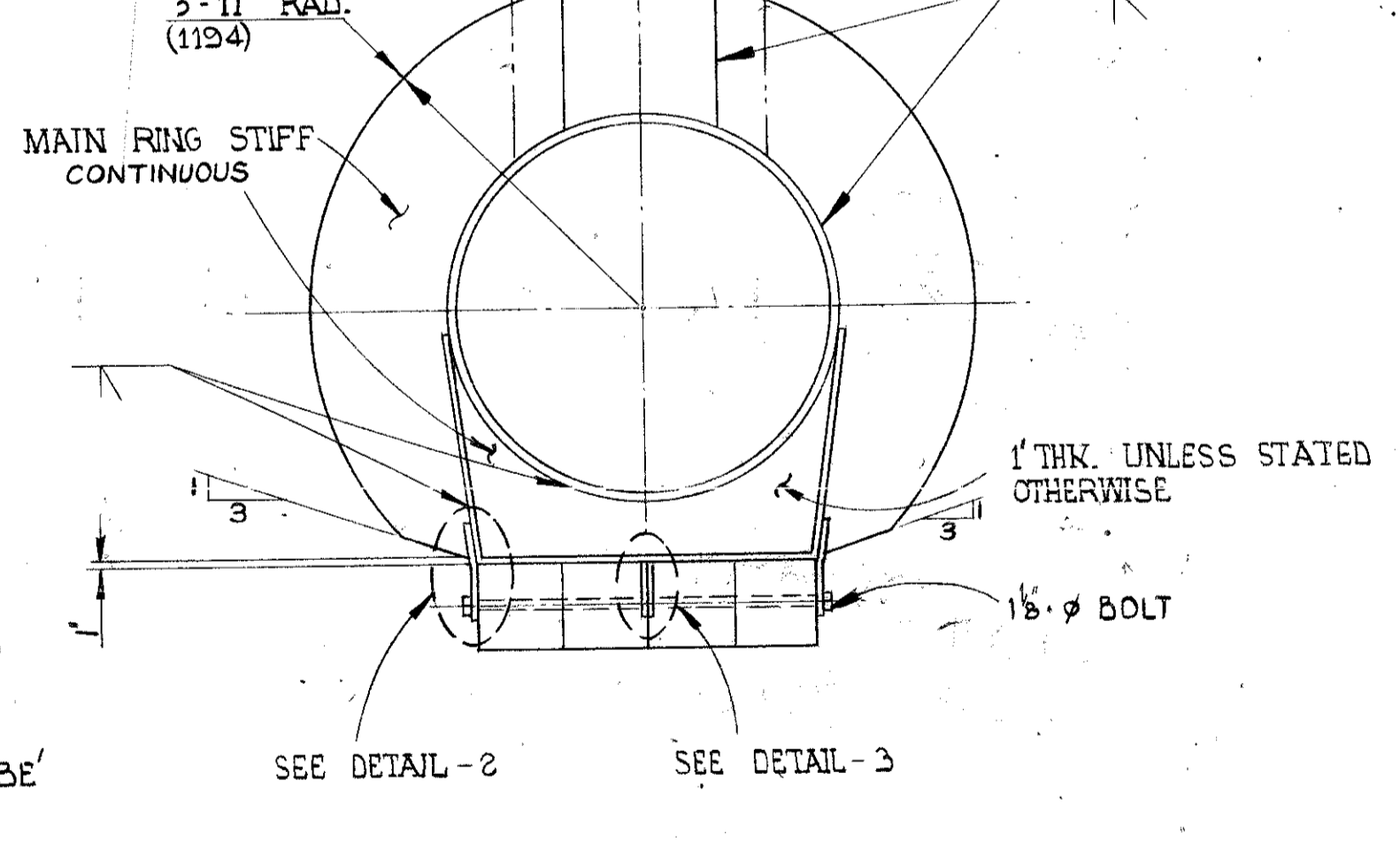


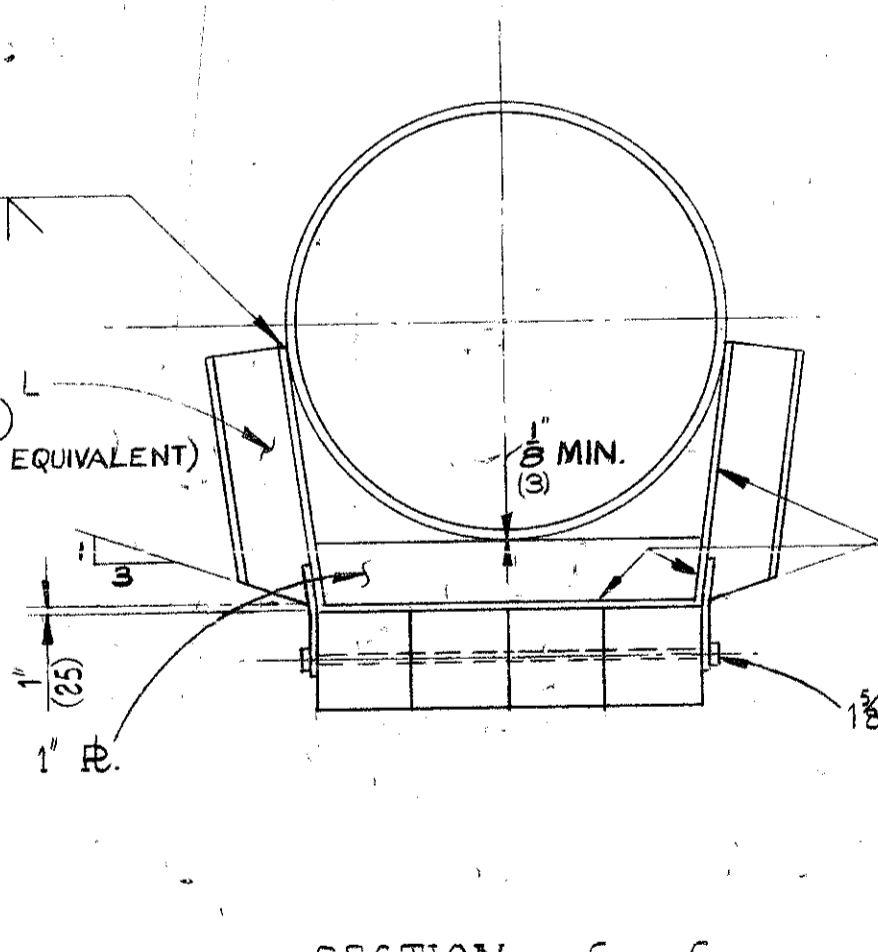
PLAN ON CRADLE (N.T.S.)



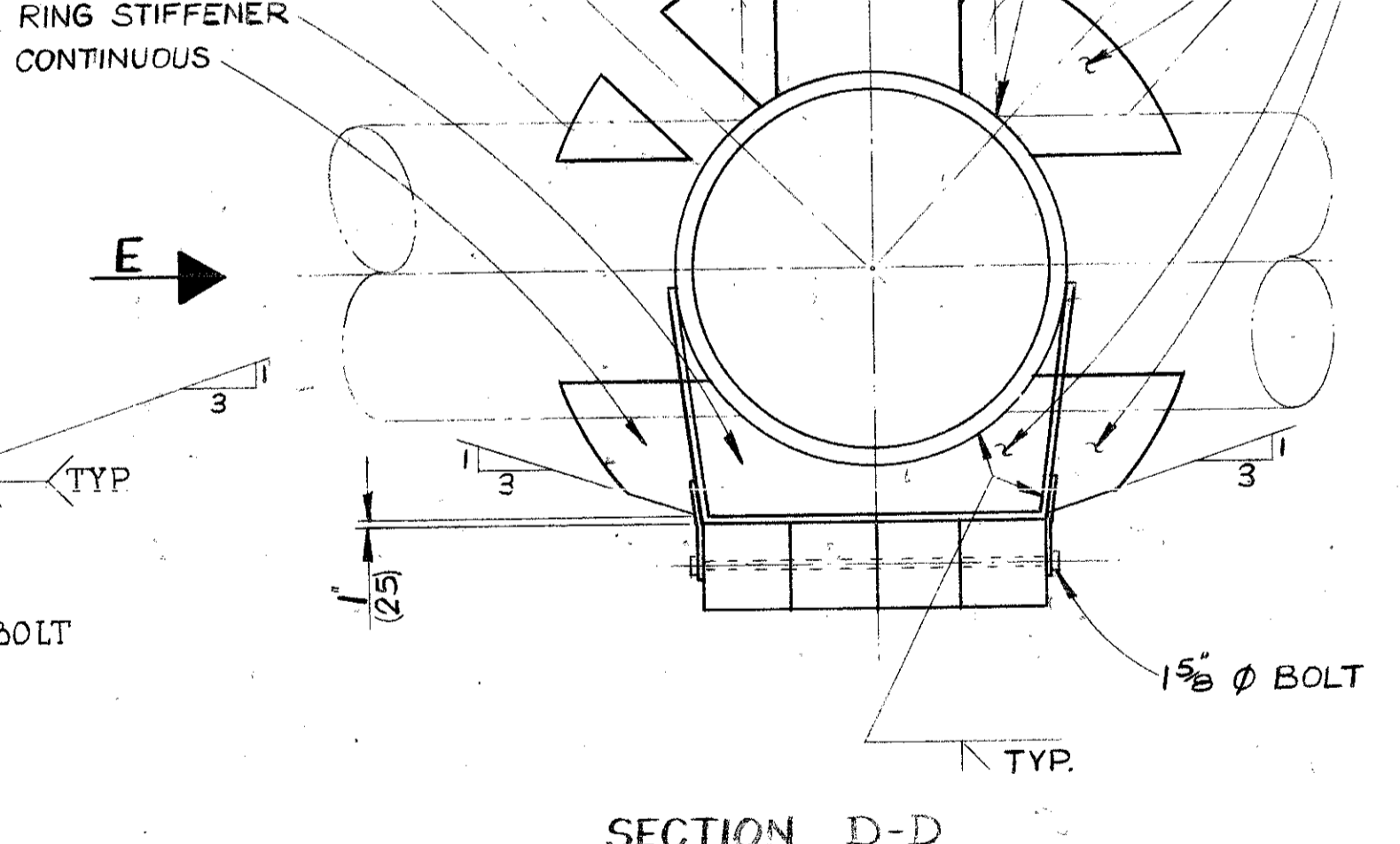
SECTION A-A (SECONDARY RING STIFFENER) SCALE - 1/2" = 1'-0"



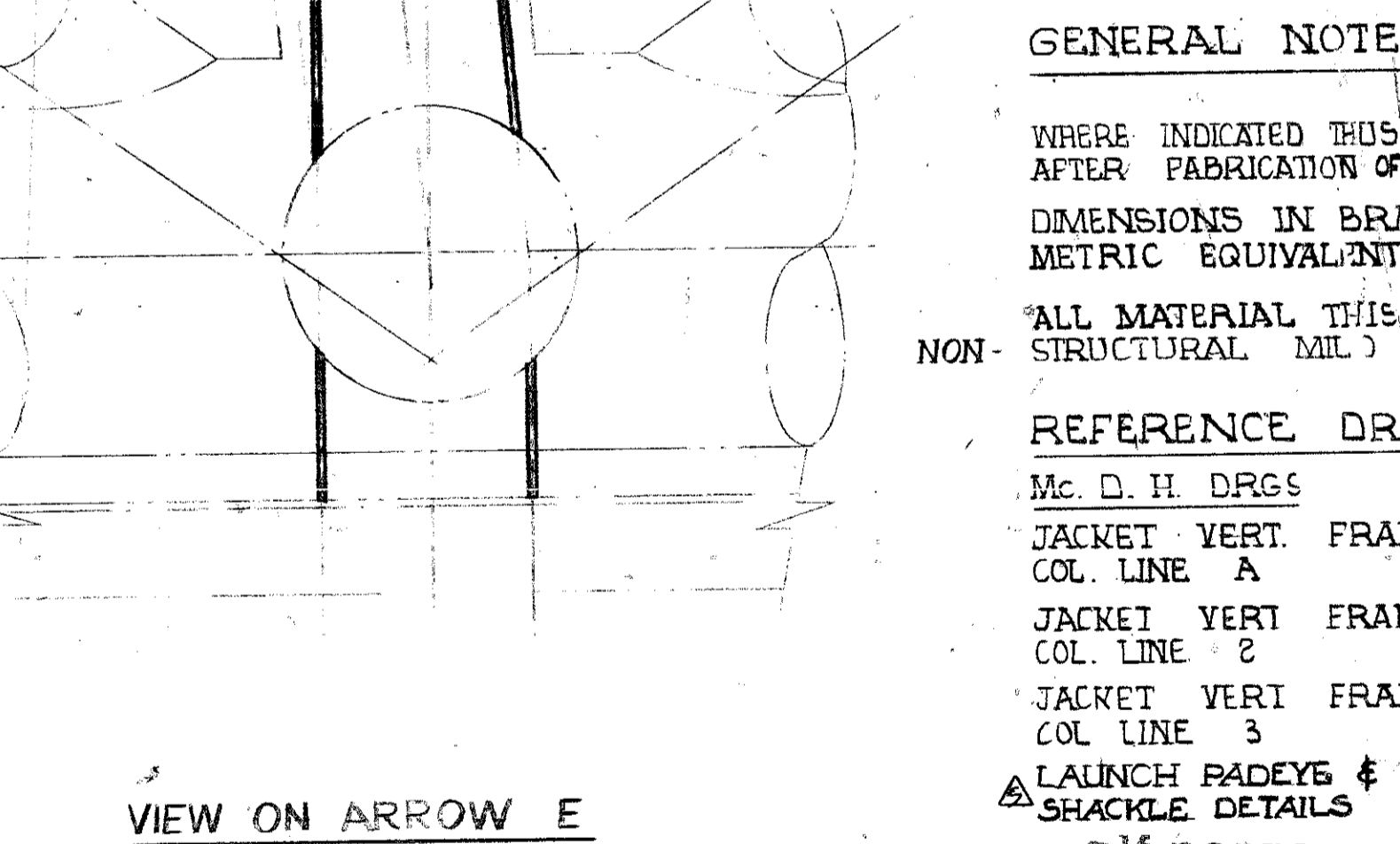
SECTION B-B (TYPICAL MAIN RING STIFFENER) SCALE - 1/2" = 1'-0"



SECTION C-C (TYPICAL) SCALE - 1/2" = 1'-0"

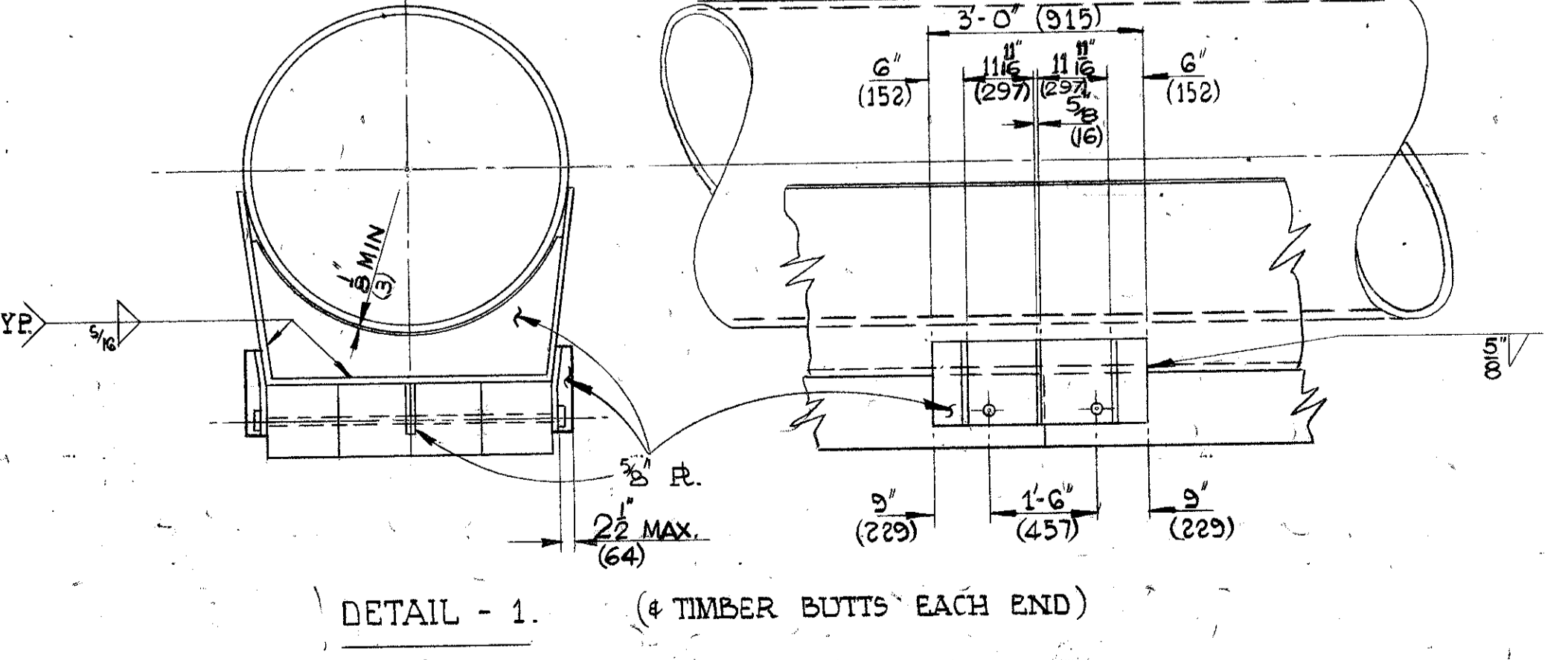
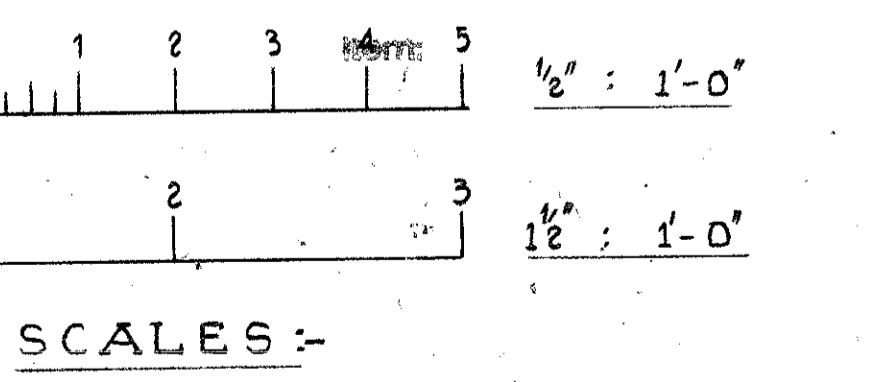


SECTION D-D (TYPICAL) SCALE - 1/2" = 1'-0"

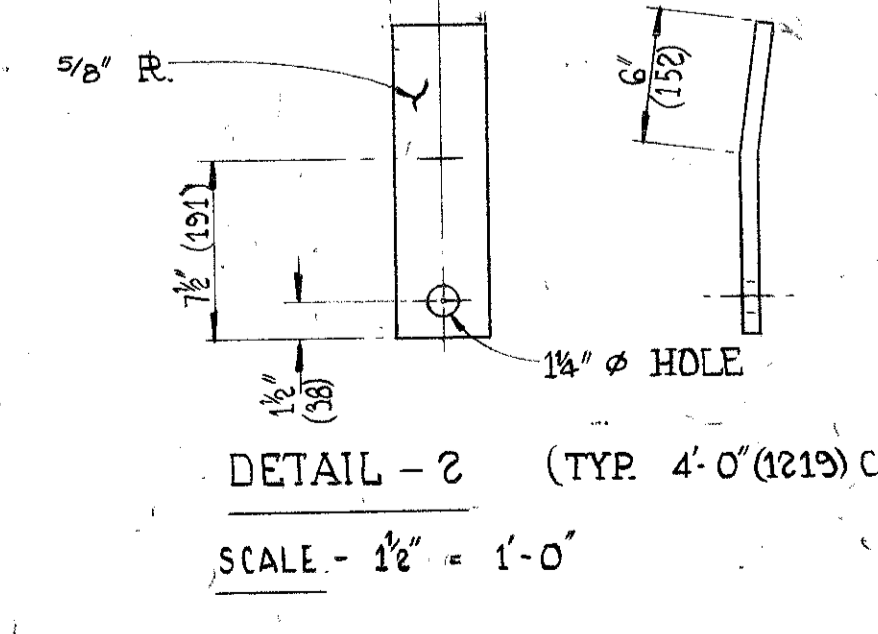


VIEW ON ARROW E SCALE - 1/2" = 1'-0"

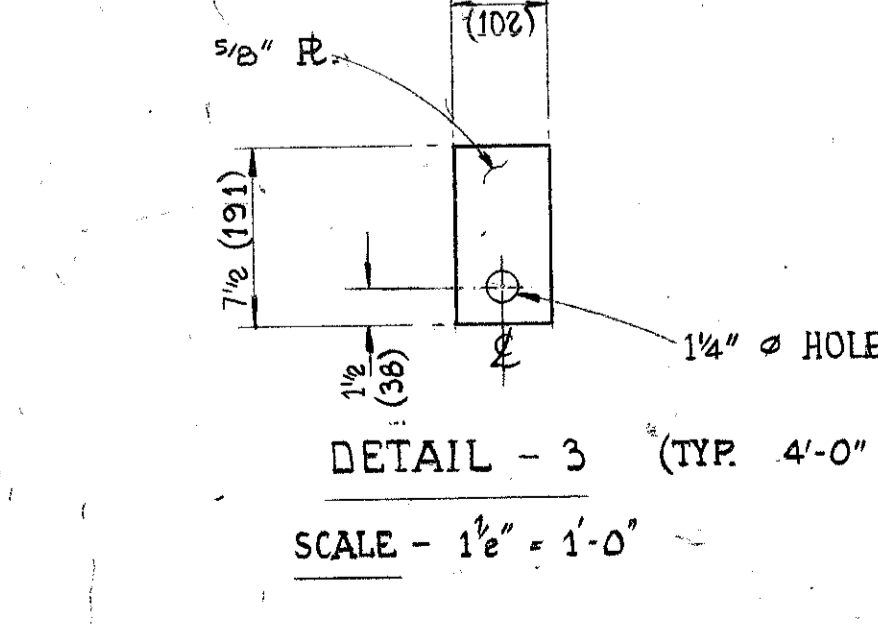
**GENERAL NOTES.**  
 WHERE INDICATED THIS IS TO BE INSTALLED AFTER FABRICATION OF BRACING STUBS.  
 DIMENSIONS IN BRACKETS ARE METRIC EQUIVALENTS.  
 ALL MATERIAL THIS SHEET TO BE STRUCTURAL (MIL) STEEL.  
**REFERENCE DRGS.**  
 Mc D. H. DRGS  
 JACKET VERT. FRAMING SHEET 101  
 COL. LINE 1  
 JACKET VERT. FRAMING SHEET 104  
 COL. LINE 2  
 JACKET VERT. FRAMING SHEET 105  
 COL. LINE 3  
 LAUNCH RADEYS & SHACKLE DETAILS  
 elf Norge as  
 dwg no. FF 931.210.042  
 SHEET NO. 140



DETAIL - 1 (TIMBER BUTTS EACH END) SCALE - 1/2" = 1'-0"



DETAIL - 2 (TYP. 4'-0" (1219) CRS) SCALE - 1/2" = 1'-0"



DETAIL - 3 (TYP. 4'-0" (1219) CRS) SCALE - 1/2" = 1'-0"

<b>ELF-NORGE A/S</b> NORWAY		24 WELL SELF CONTAINED	
<b>DRILLING PLATFORM No 1</b>		NORTH SEA FRIGG FIELD WD 98 M	
<b>McDERMOTT - HUDSON</b> LONDON - ENGLAND			
APPROVED: <i>[Signature]</i>	DATE: 2/1/73	DWG NO. ELN 02020	SHEET NO. 140
DESIGNED BY: R.T. MASSEY	SCALE: AS NOTED	DATE: 12-JULY-73	ELN 02020
PROJECT: 1/1/72	PROCESS: 1/1/72	MECHANICAL: 1/1/72	ELECTRICAL: 1/1/72
DESIGNED BY: R.T. MASSEY	CHECKED BY: [Signature]	DATE: 12-JULY-73	SCALE: AS NOTED
<b>JACKET LAUNCH RUNNERS</b>			