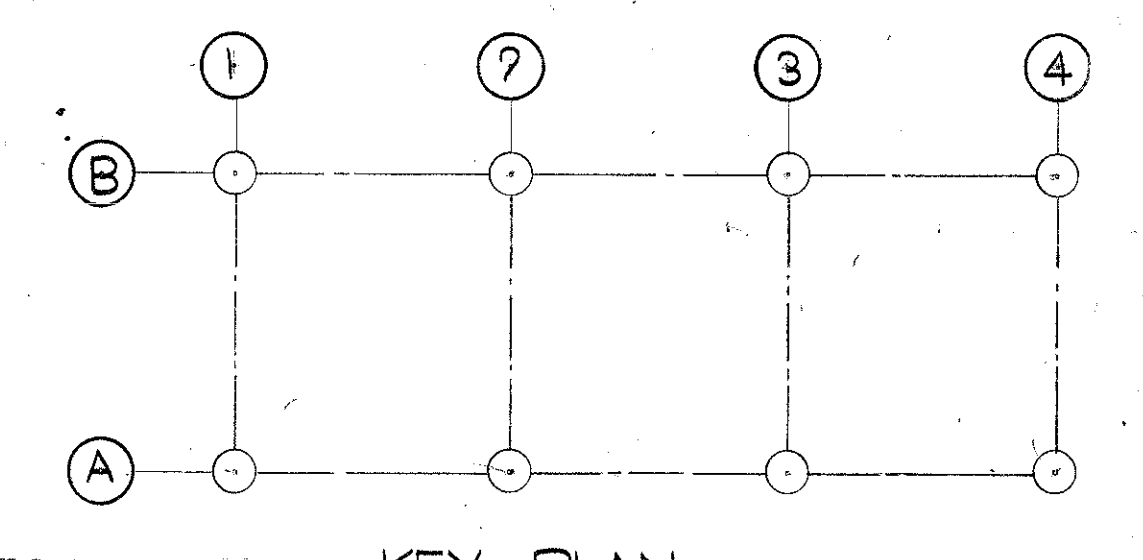
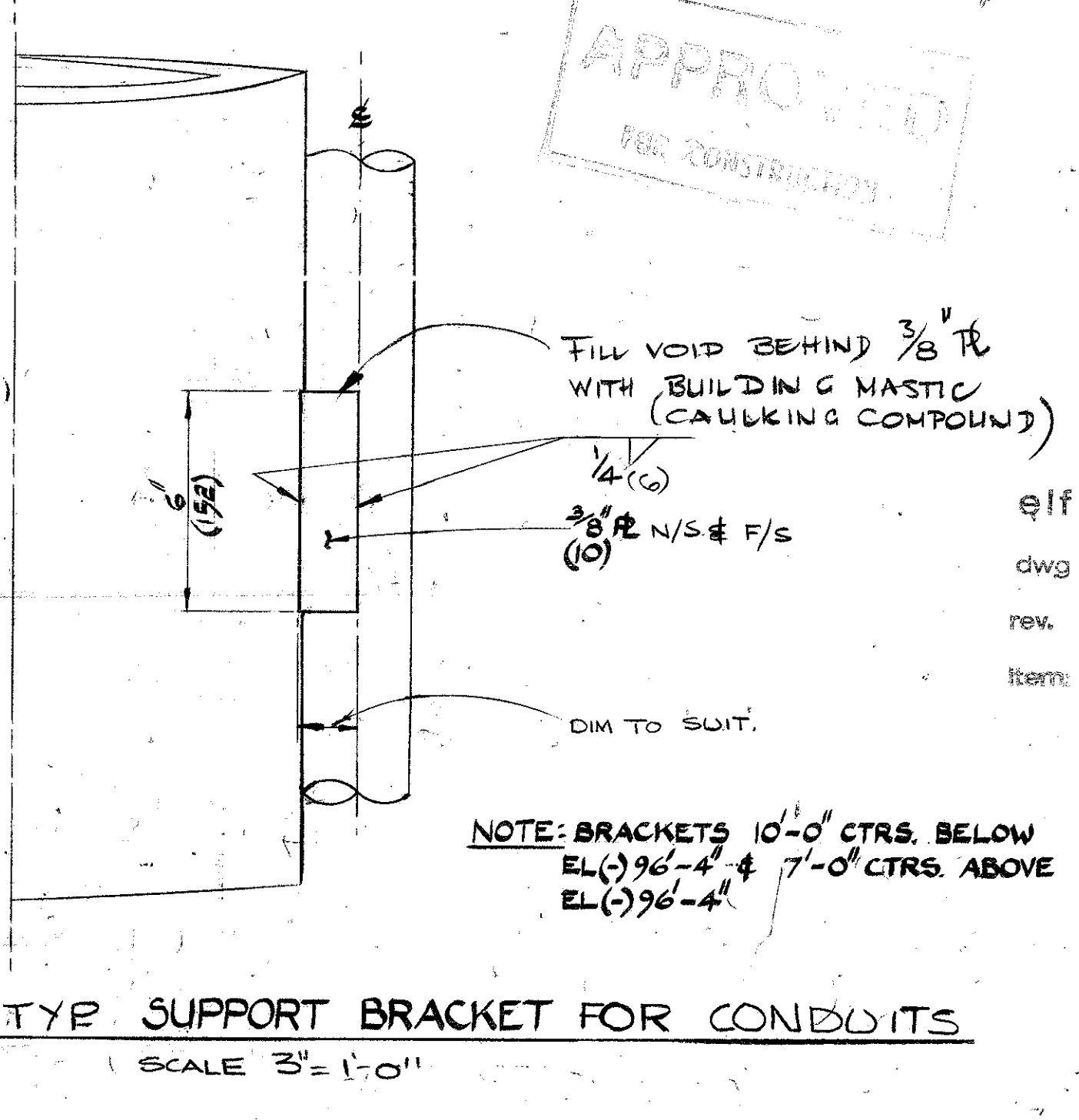
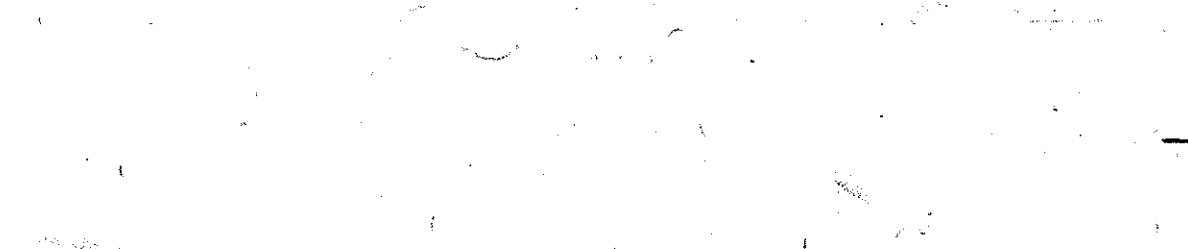
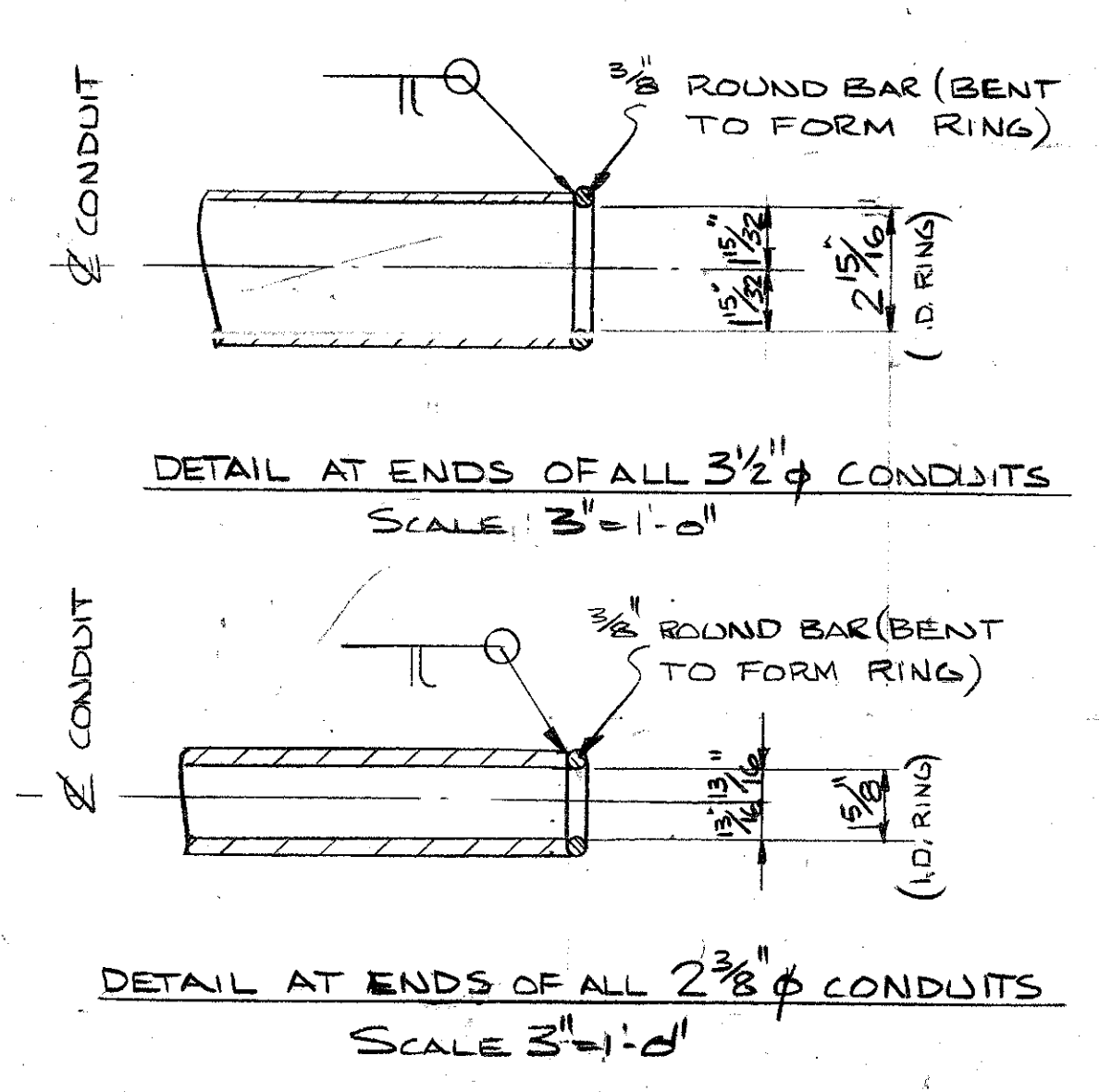
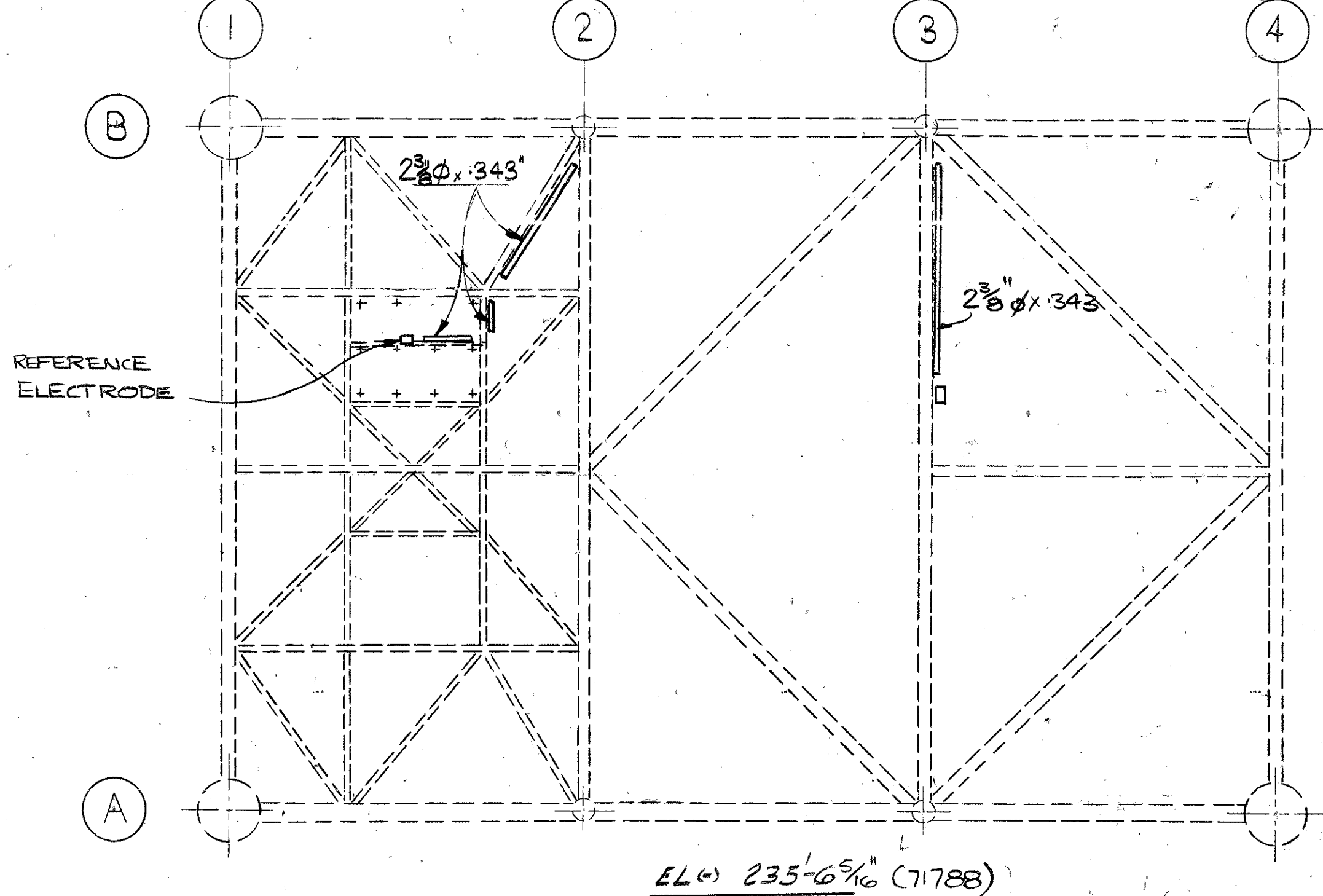
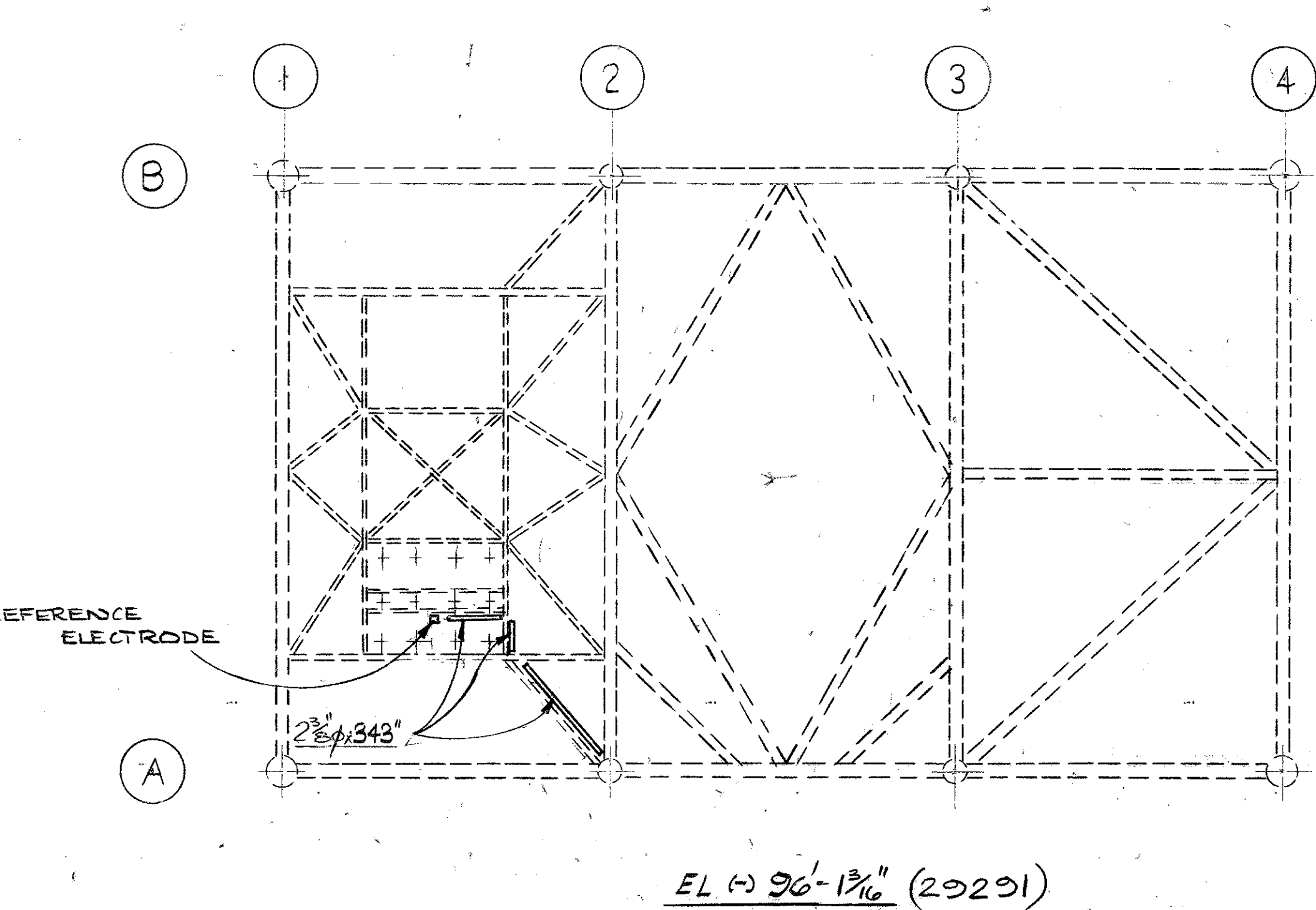
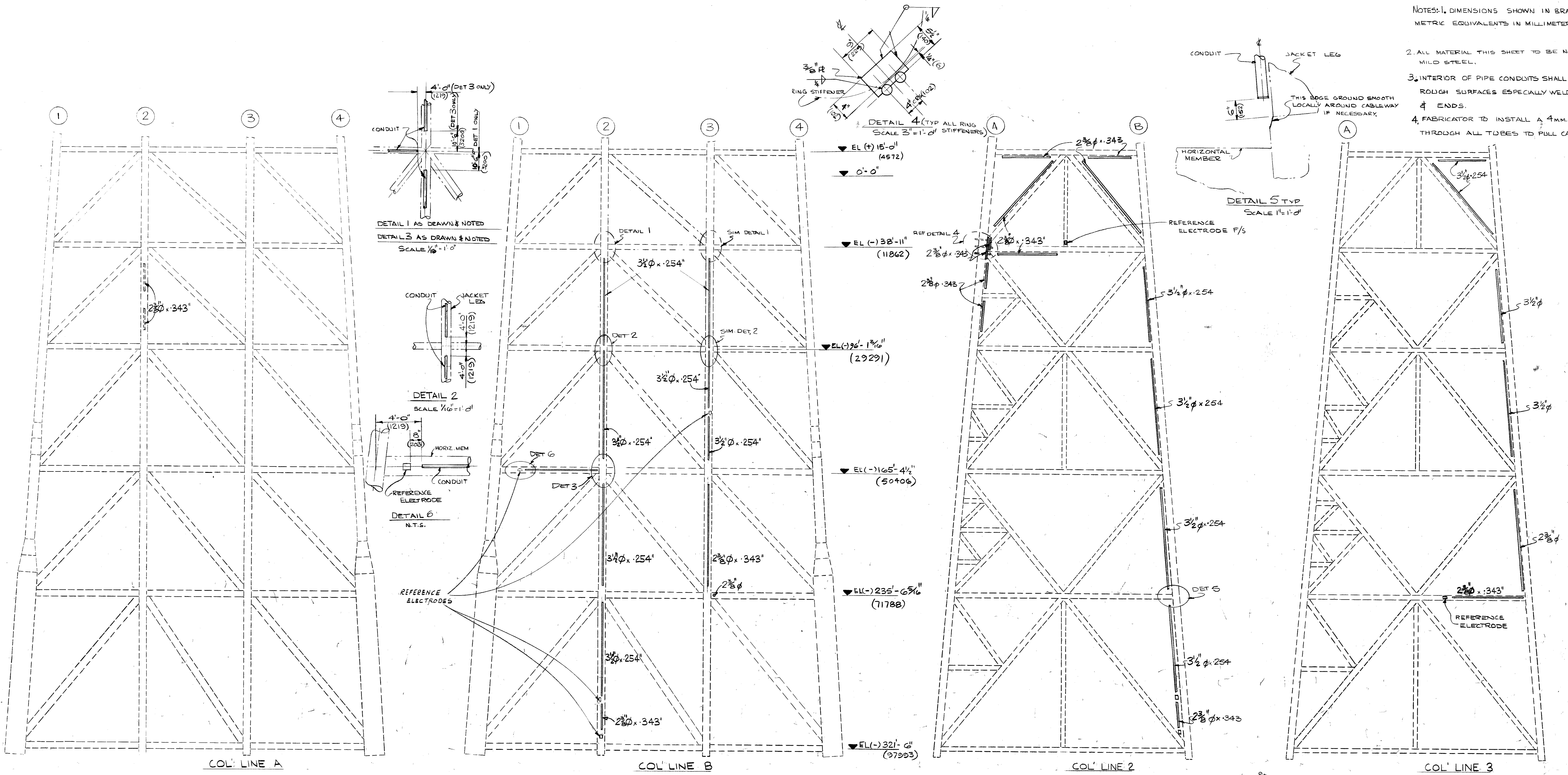


- NOTES: 1. DIMENSIONS SHOWN IN BRACKETS ARE METRIC EQUIVALENTS IN MILLIMETERS.
2. ALL MATERIAL THIS SHEET TO BE NON-STRUCTURAL MILD STEEL.
3. INTERIOR OF PIPE CONDUITS SHALL HAVE NO ROUGH SURFACES ESPECIALLY WELDED JOINTS & ENDS.
4. FABRICATOR TO INSTALL A 4MM. WIRE THROUGH ALL TUBES TO PULL CABLES WITH.



APPROVED
THE CONTRACTOR

elf norge a/s
 dwg no: FF 931.210.053
 rev: 00 date: 09.10.74

APPROVED: <i>[Signature]</i> MCDERMOTT - HUDSON DATE: 25.02.73 ENGINEERS APPROVAL		LONDON - ENGLAND DRAWN BY: <i>[Signature]</i> DESIGNED BY: <i>[Signature]</i> CHECKED BY: <i>[Signature]</i> PROF. CHECK: <i>[Signature]</i>	
PROJECT: <i>[Blank]</i> STRUCTURAL: <i>[Blank]</i> PROCESS: <i>[Blank]</i> MECHANICAL: <i>[Blank]</i> ELECTRICAL: <i>[Blank]</i> INSTRUMENT: <i>[Blank]</i> T&E CHECK: <i>[Blank]</i> PROF. CHECK: <i>[Blank]</i>		SCALE: AS NOTED DATE: 18-JUL-73 DWG NO: ELN 02020 SHEET NO: 151 JACKET CATHODIC PROTECTION CONDUIT LOCATION	

DESIGN	STRUCT	PIPING	ELEC	ME	BY	DATE	REVISIONS	DATE	APP.	DESIGN	STRUCT	PIPING	ELEC	ME	BY	DATE	REVISIONS	DATE	APP.