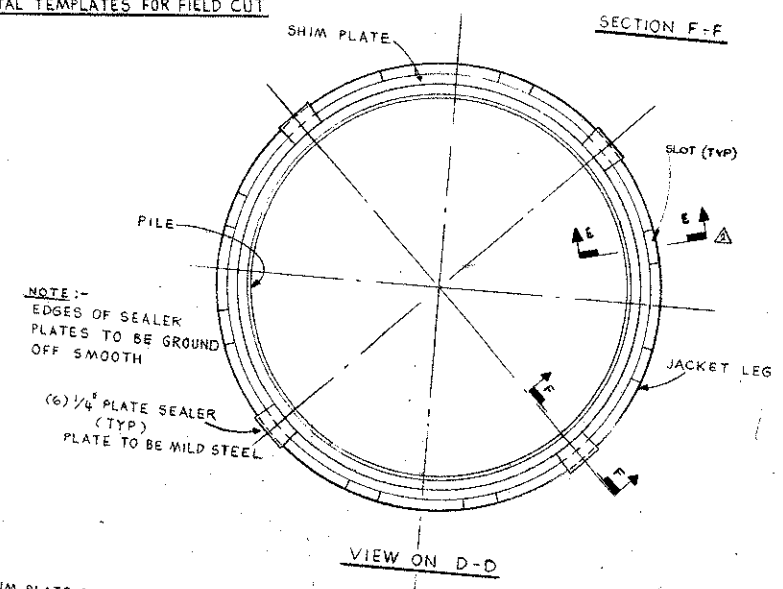
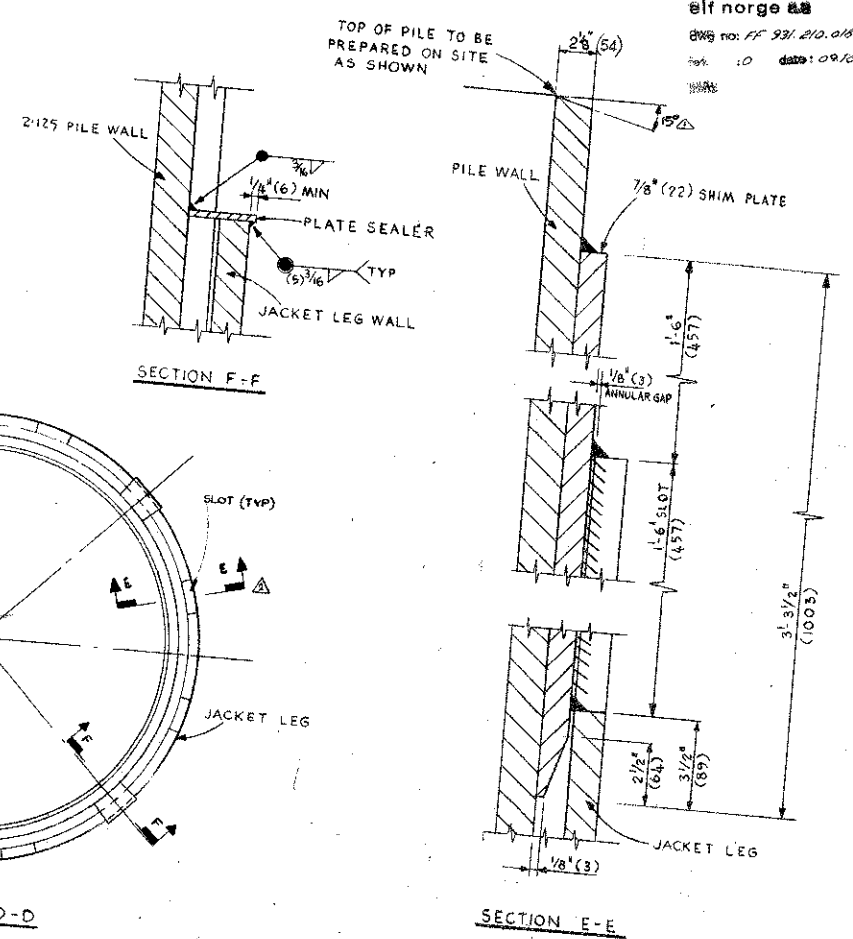
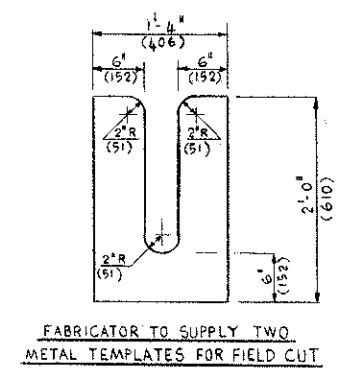
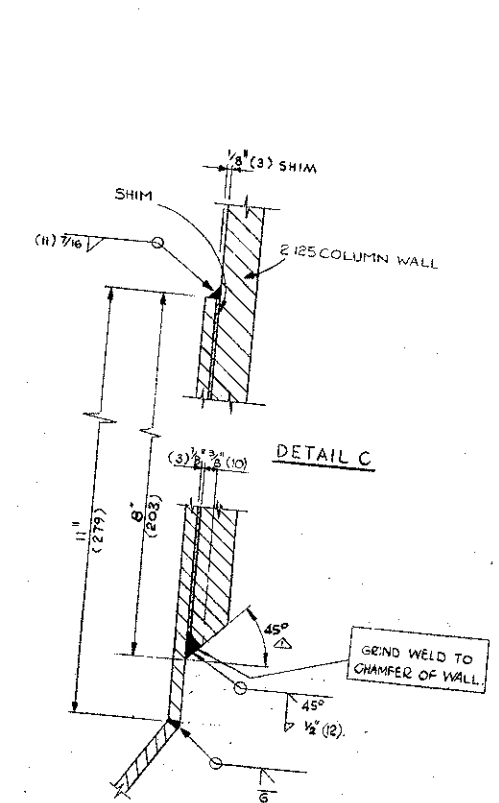


elf norge as  
 DWG no: FF 931.210.018  
 Rev: 1.0 date: 09.10.74

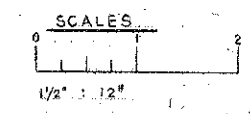
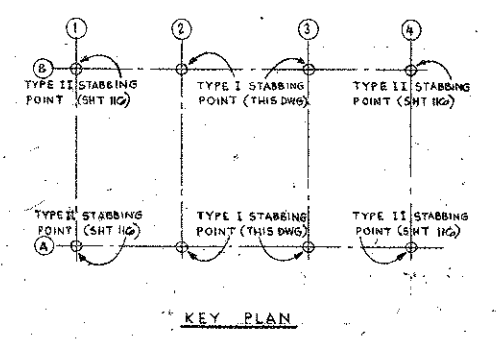
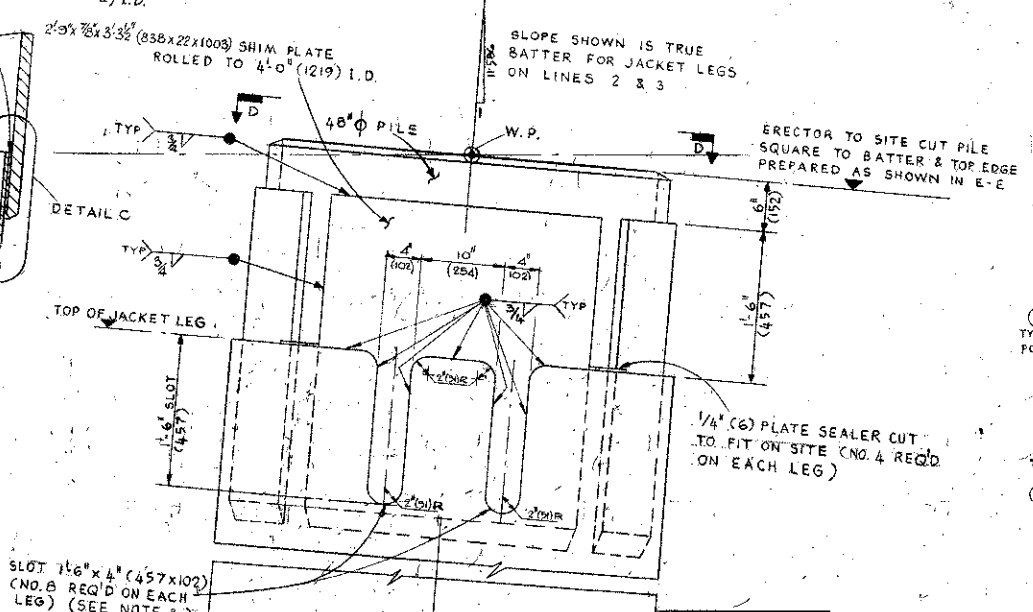
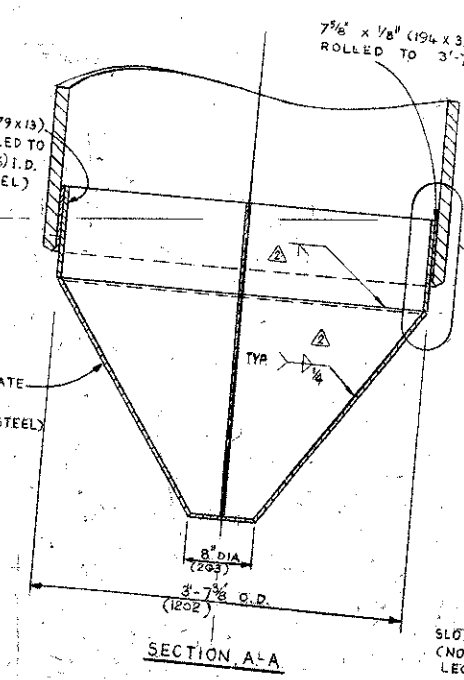
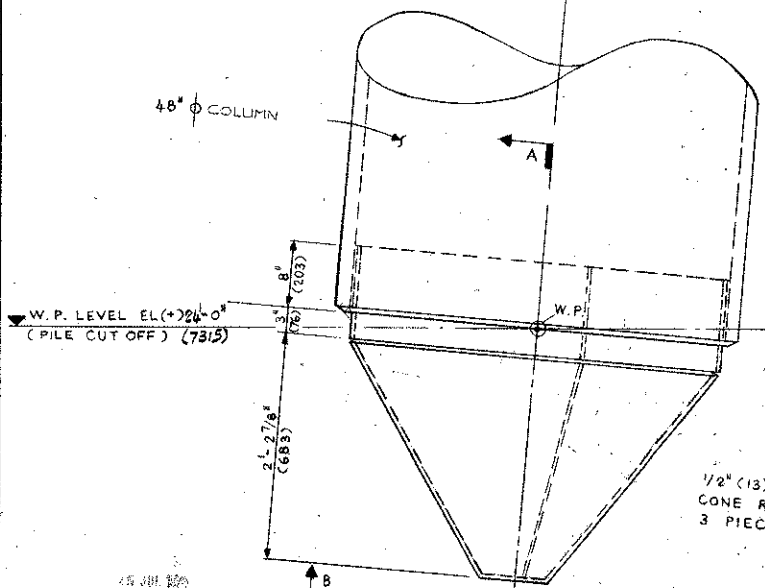
- NOTES**
1. DIMENSIONS SHOWN IN BRACKETS ( ) ARE METRIC EQUIVALENTS IN MILLIMETRES
  2. ALL MATERIAL TO BE HIGH STRENGTH STEEL UNLESS NOTED.
  3. SLOTS ARE TO BE CUT BY ERECTOR
  4. SHIMS & SEALER PLATES ARE TO BE SHIPPED LOOSE FOR INSTALLATION BY THE ERECTOR.

**REFERENCE DRAWINGS**  
 Mc D. H. DRGS  
 JACKET STABBING POINT TYPE II  
 ELN.02020 SH 16



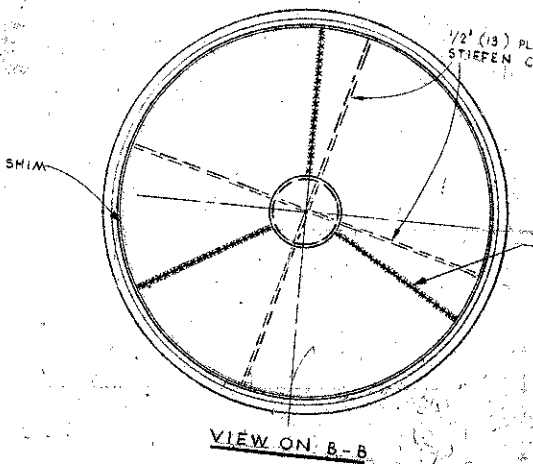
SLOPE SHOWN IS TRUE BATTER FOR JACKET LEGS ON LINES 2 & 3

SLOPE SHOWN IS TRUE BATTER FOR JACKET LEGS ON LINES 2 & 3



SHIM PLATES FURNISHED BY FABRICATOR FOR USE BY ERECTOR

NO. REQD.	PLATE THICKNESS
16	7/8" (22)
8	1" (25)
8	3/4" (19)



elf norge as  
 DWG no: FF 931.210.018  
 Rev: 1.0 date: 09.10.74

**ELF-NORGE A/S NORWAY**

74 WELL SECT CONTAINED

**DRILLING PLATFORM No 1**

NORTH SEA FRIGG FIELD WD 98 M

**McDERMOTT & HUDSON**

LONDON - ENGLAND

DATE: 11/2 1974

SCALE: 1/2" = 1'-0"

DATE: 11/2 1974

ELN 02020

DRILLING PLATFORM No 1

STABBING POINT TYPE I & II

NO.	DATE	BY	CHKD	REVISIONS
1	11/2 1974	WELLS	WELLS	WELLS
2	11/2 1974	WELLS	WELLS	WELLS