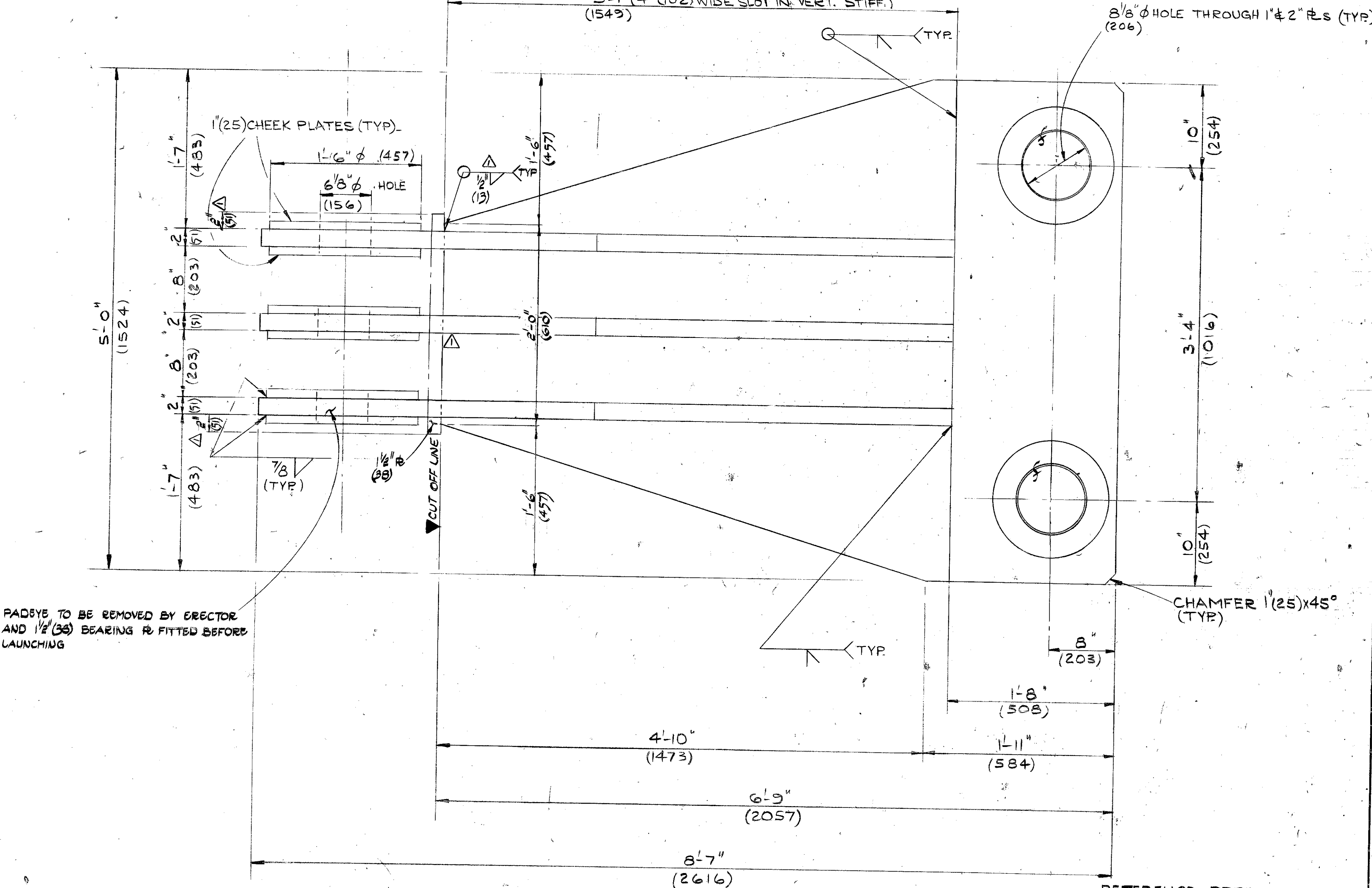
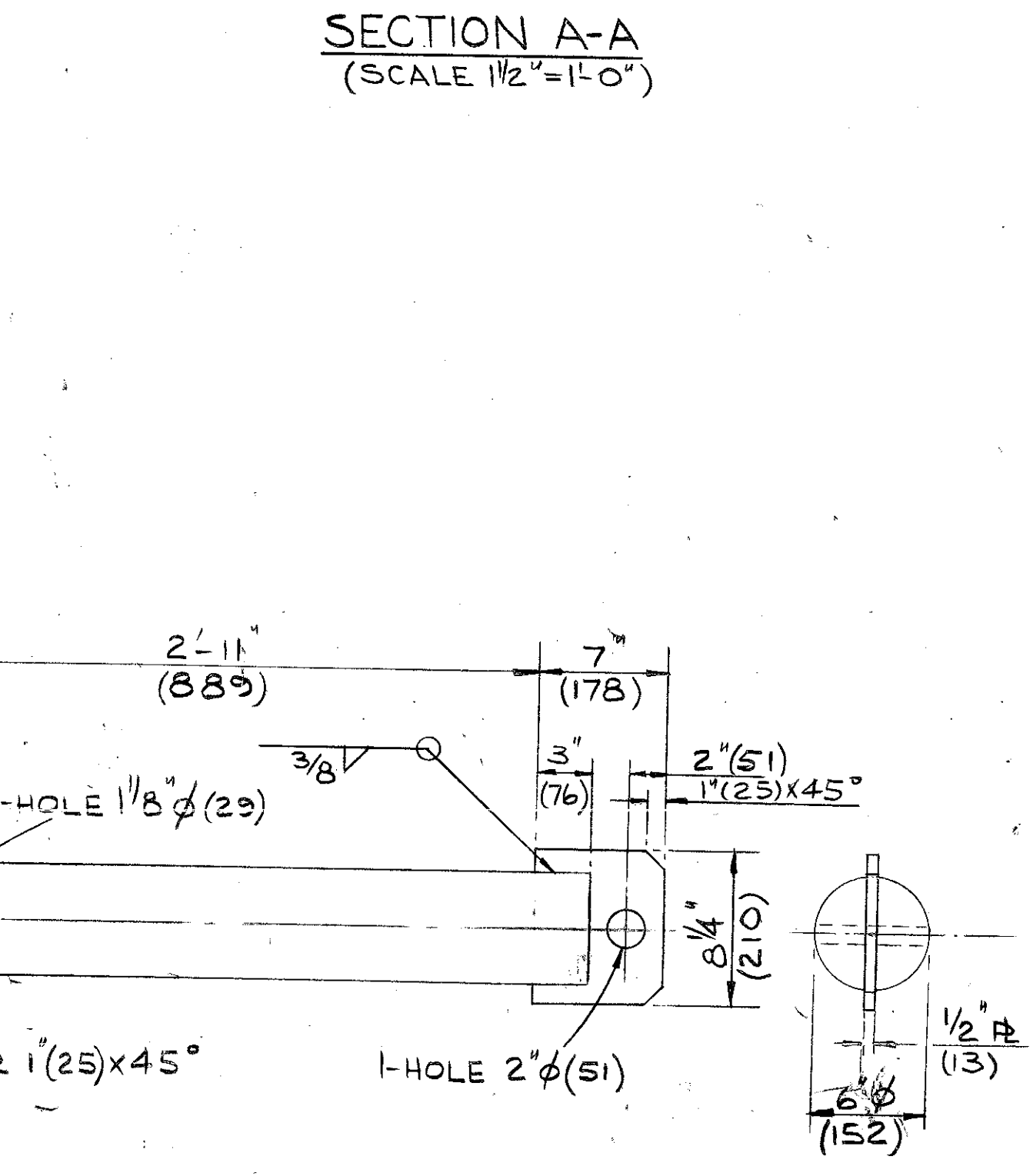
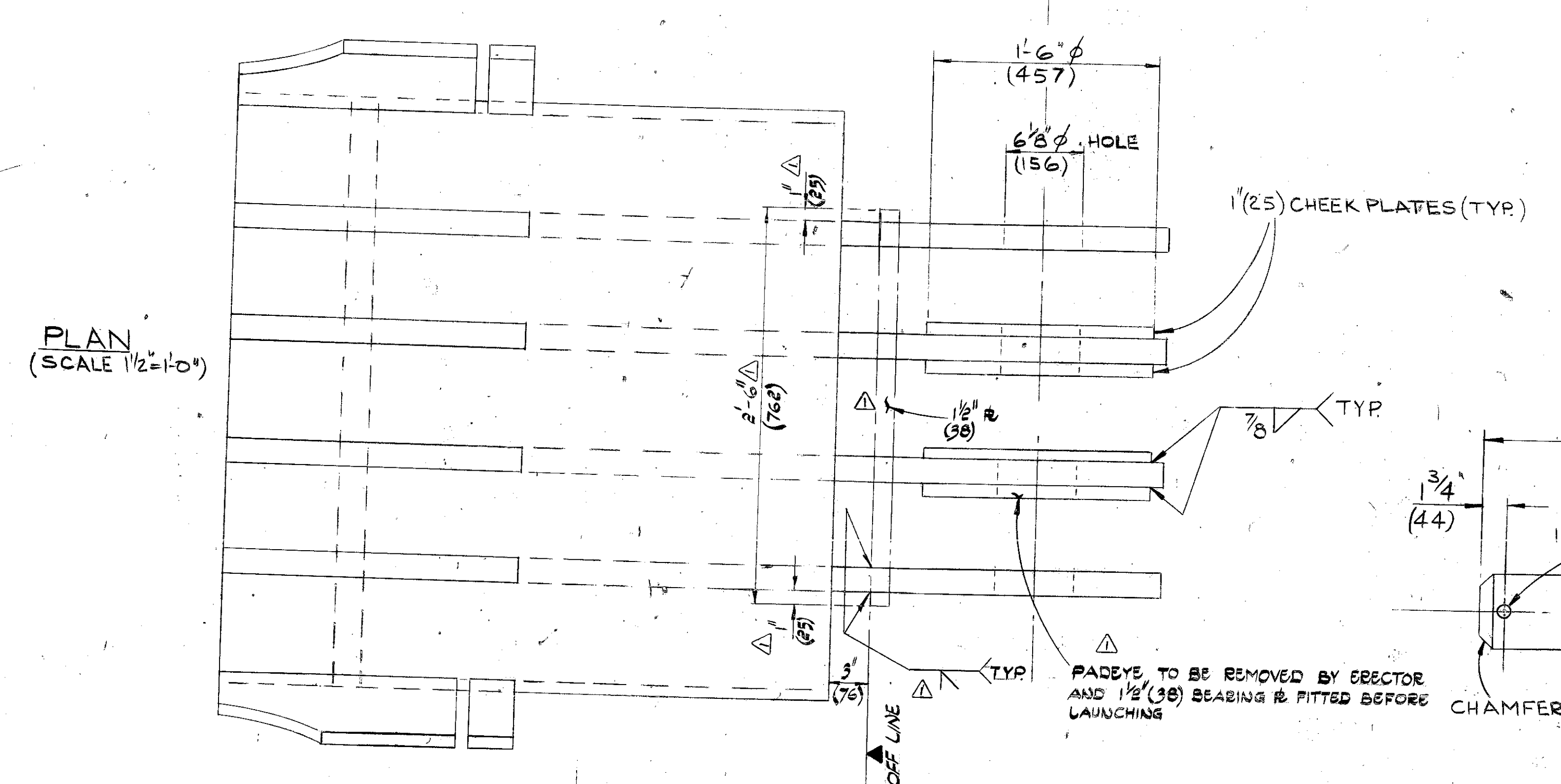
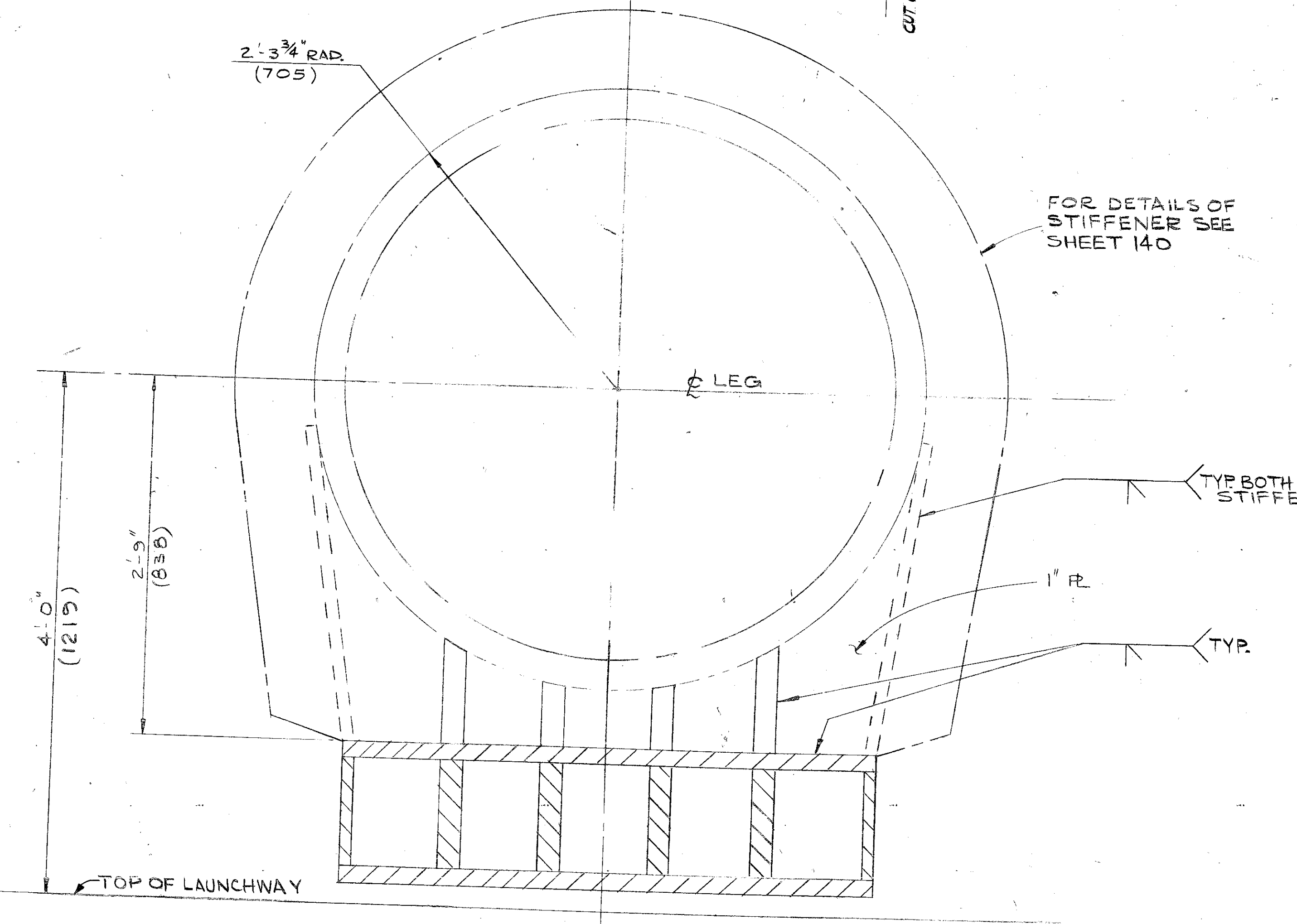


- NOTES
- 1 DIMS SHOWN IN BRACKETS ARE METRIC EQUIVALENTS IN MILLIMETRES
 - 2 ALL MATERIAL TO BE HIGH STRENGTH STEEL
 - 3 ALL R'S WITH 6 1/8" φ HOLES FOR SHACKLE PIN TO BE WELDED TO SHACKLE ASSY. WITH SHACKLE PIN IN POSITION.



REFERENCE DRGS.
 MFD & H DRGS.
 JACKET LAUNCH RUNNERS
 ELN 02020 SHT. 140



elf-norge as
 dwg no: FF 931.210.054
 REV: 0 DATE: 10.10.74

APPROVED	DATE	BY
[Signature]	10/17/74	[Name]

PROJECT: 24 WELL SELF CONTAINED
 STRUCTURAL: [Signature]
 MECHANICAL: [Signature]
 ELECTRICAL: [Signature]
 INSTRUMENT: [Signature]
 FAB CHECK: [Signature]

ELF-NORGE A/S NORWAY
 24 WELL SELF CONTAINED
DRILLING PLATFORM No 1
 NORTH SEA FRIGG FIELD WD 98 M

McDERMOTT-HUDSON
 LONDON - ENGLAND

SCALE: 1/2"=1'-0"
 DATE: 4-SEP-1973
 DWG NO: ELN 02020
 SHEET NO: 152

LAUNCH PADEYE & SHACKLE DETAILS

DESIGN	STRUCT.	PIPING	ELEC.	MK.	BY	DATE	REVISIONS	DATE	APP.

FAB. STDS. REQ'D. THIS SHT.

T.G. 27 OCT 74 BEARING AS & REF. DRG. ADDED 10/17/74 [Signature]