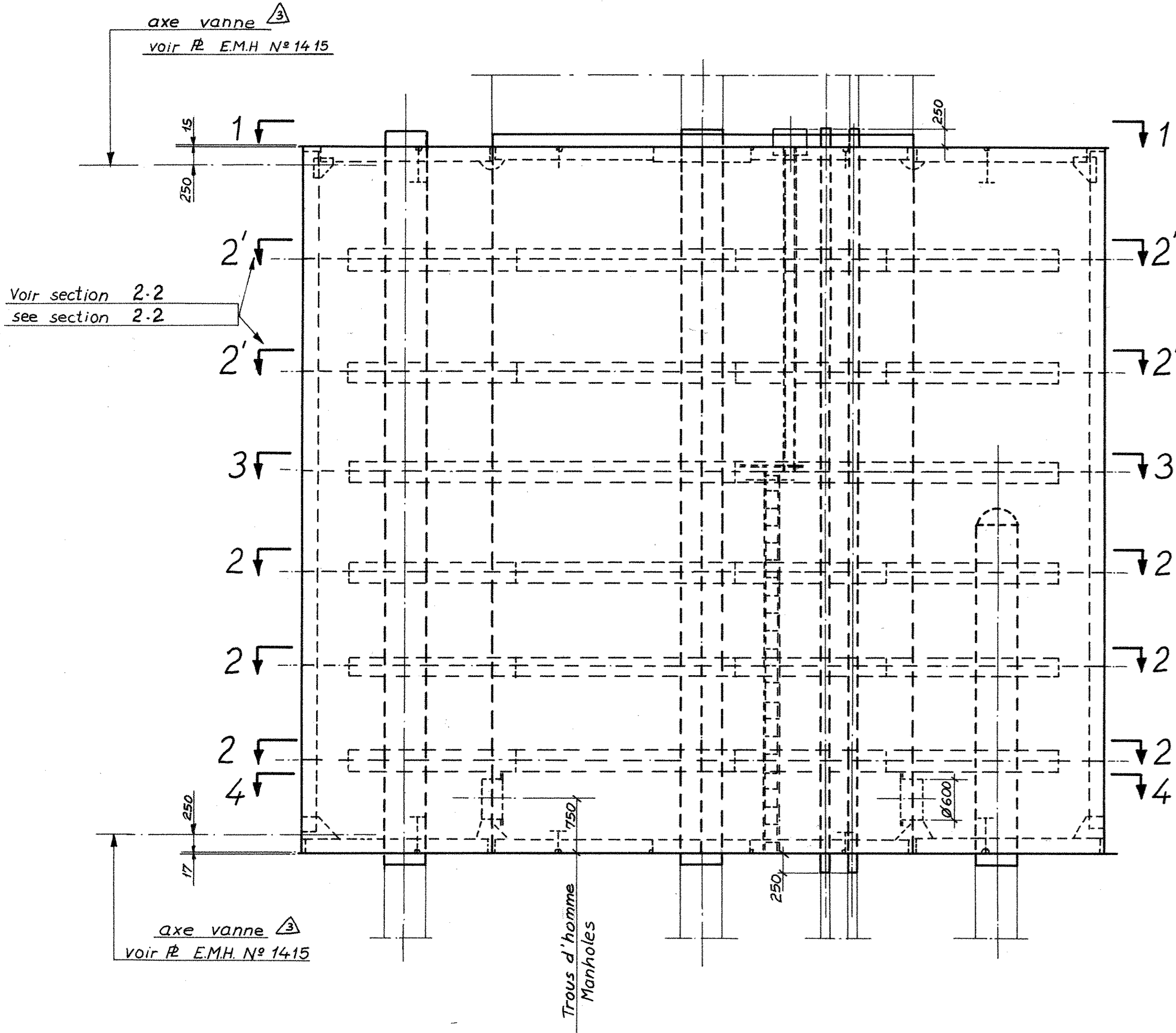
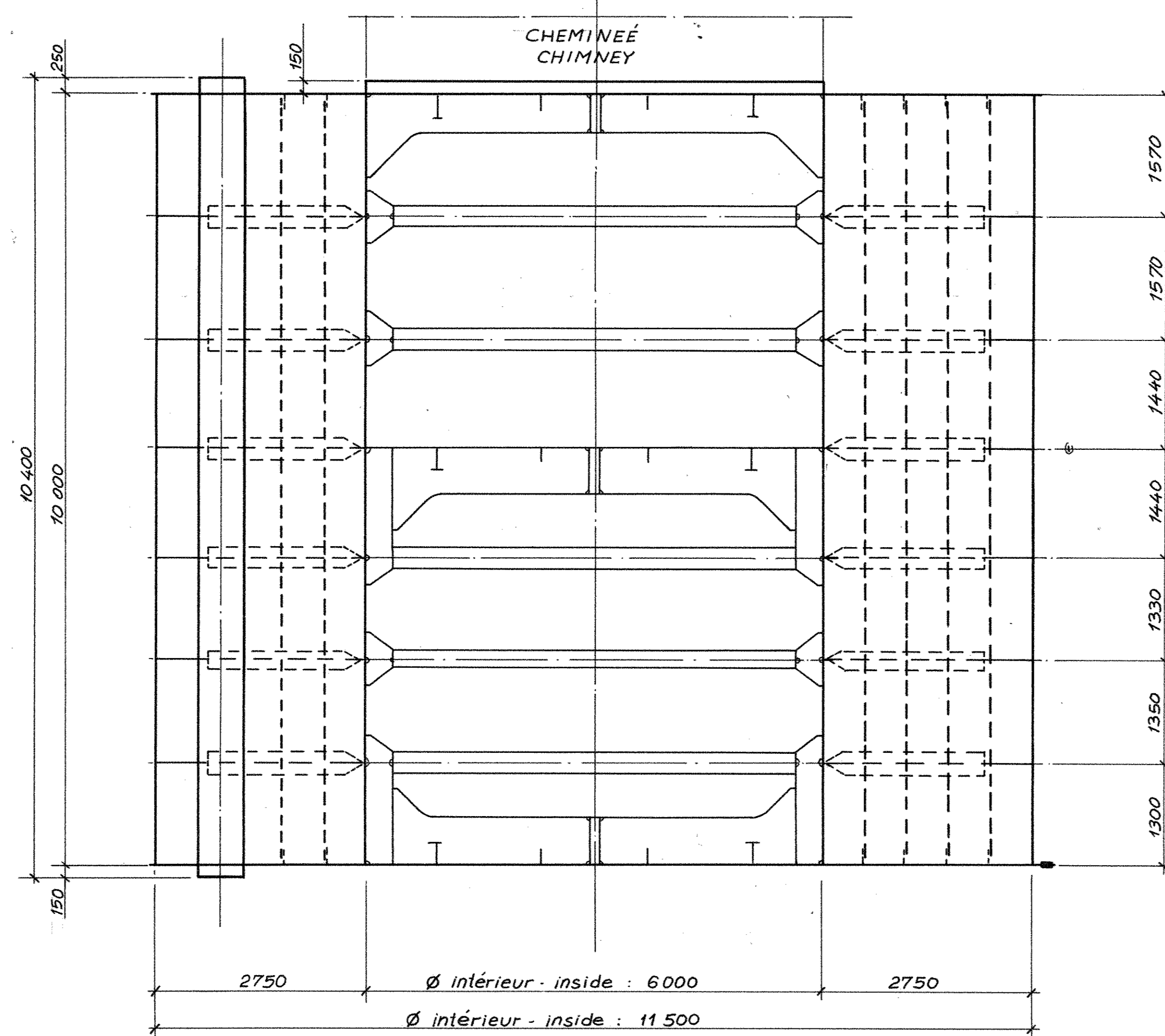


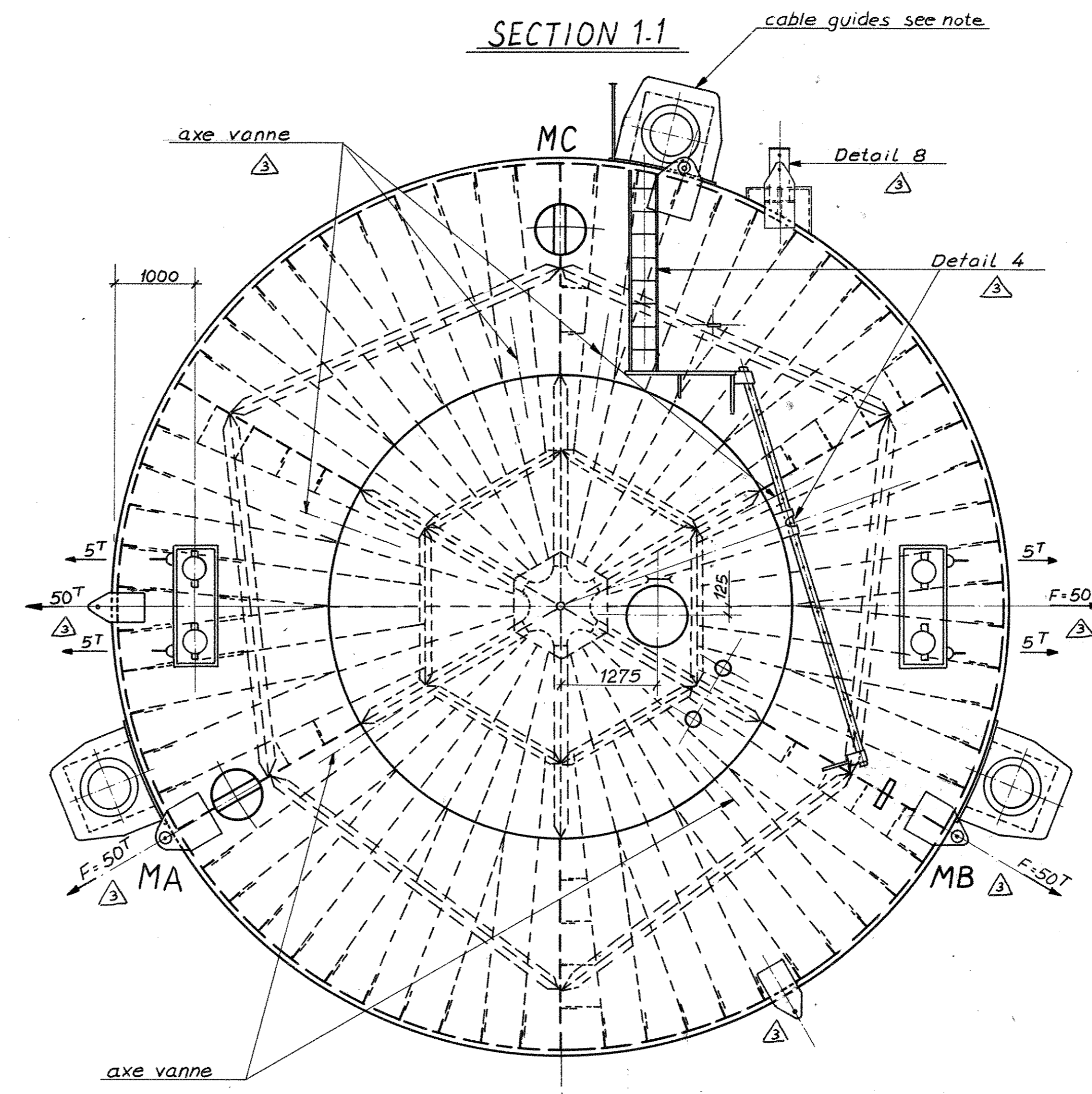
ELEVATION



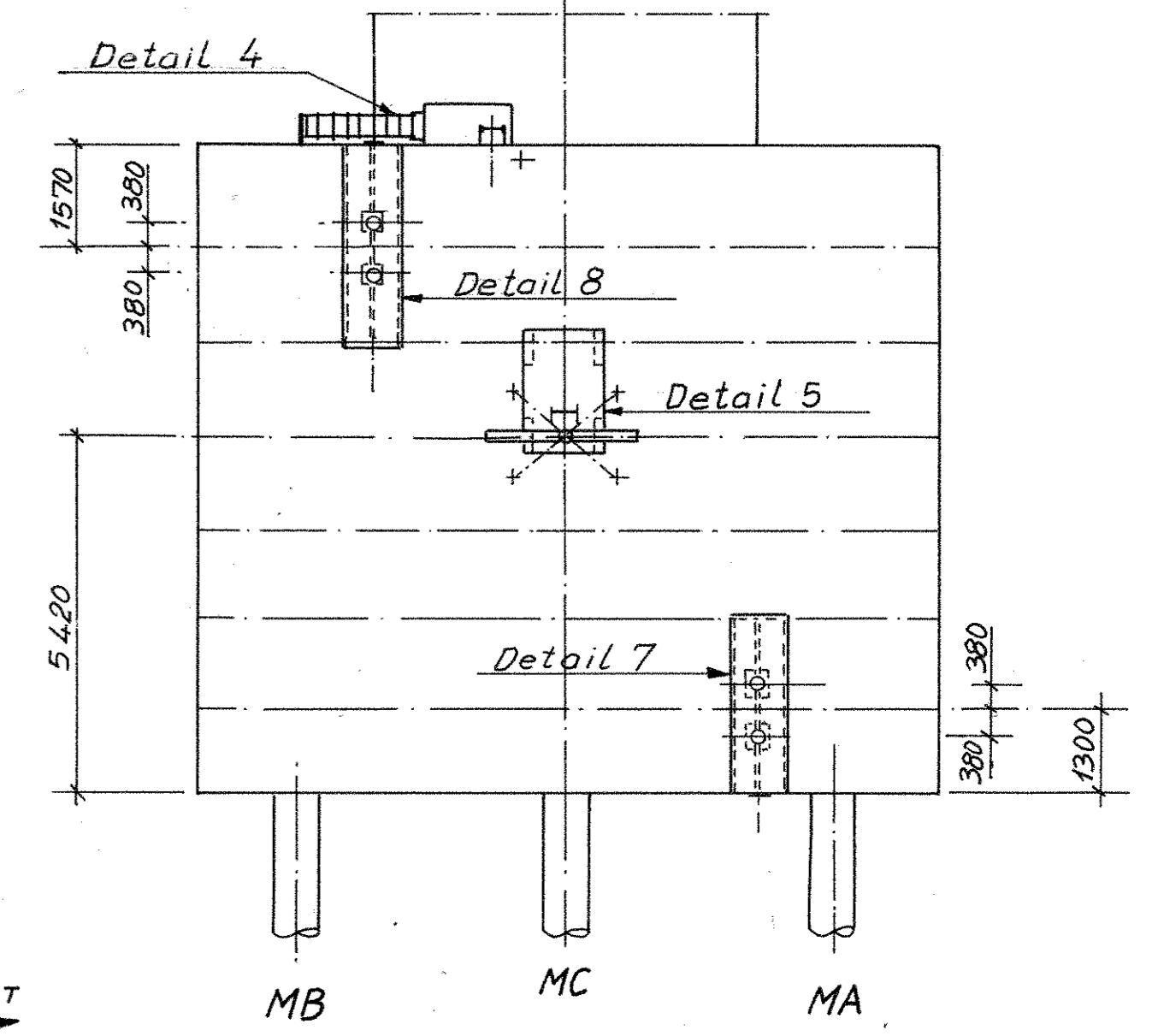
SECTION 5-5



SECTION 1-1



IMPLANTATION DES EQUIPEMENTS DE REMORQUAGE



DESSINS A CONSULTER CFEM

CONSULTING TO DRAWINGS

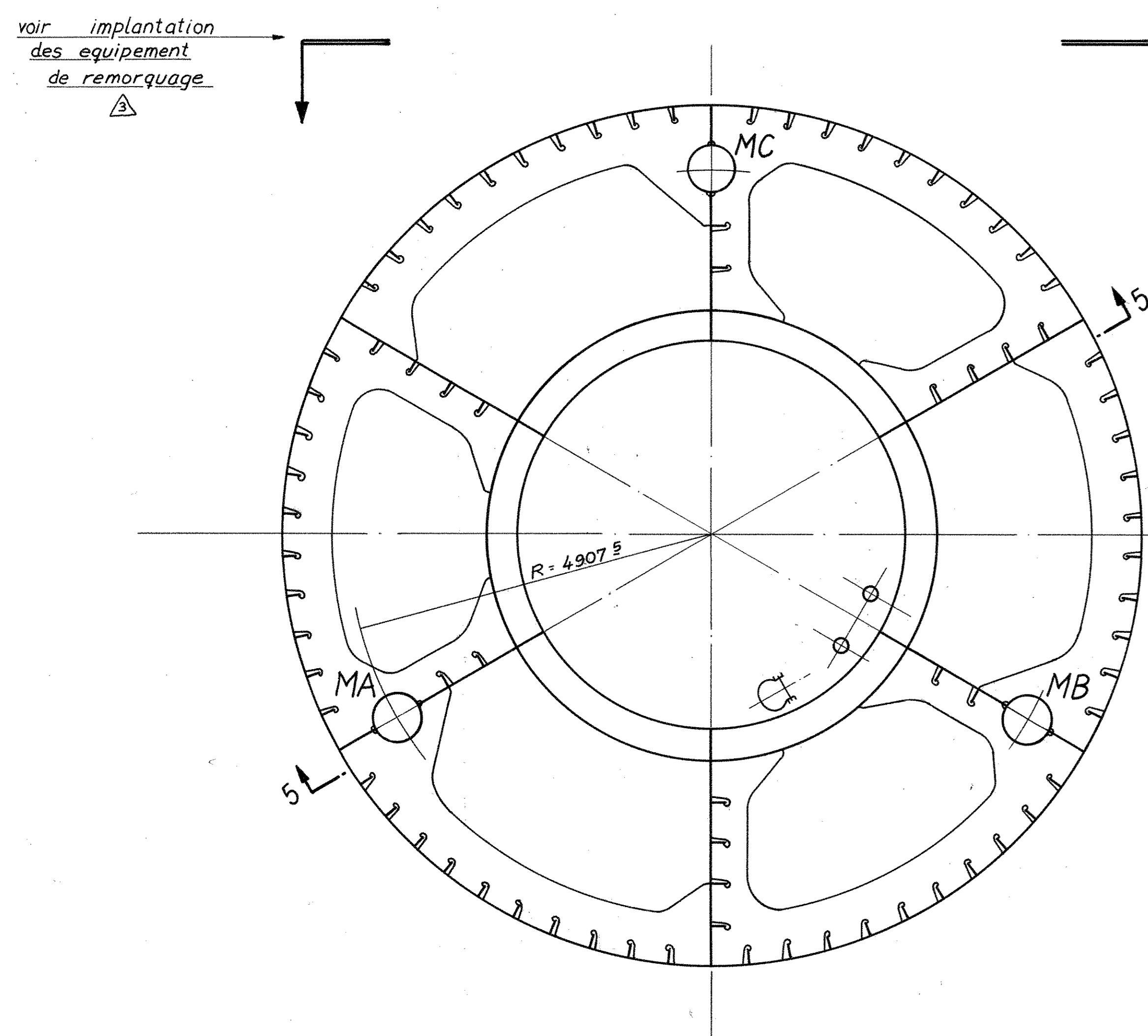
- 401: SECTIONS 1-1 AND 4-4.
- 402: " 2-2, 2'-2' AND 3-3.
- 403: SECTIONAL ÉLEVATION.
- 404: ACCESSORY.
- 405: VÉRINAGE.
- 406: LADDERS.
- 407: BITTES D'AMARAGE.

TEST À L'AIR : 200 GRAMMES
TEST TO THE AIR : 200 "

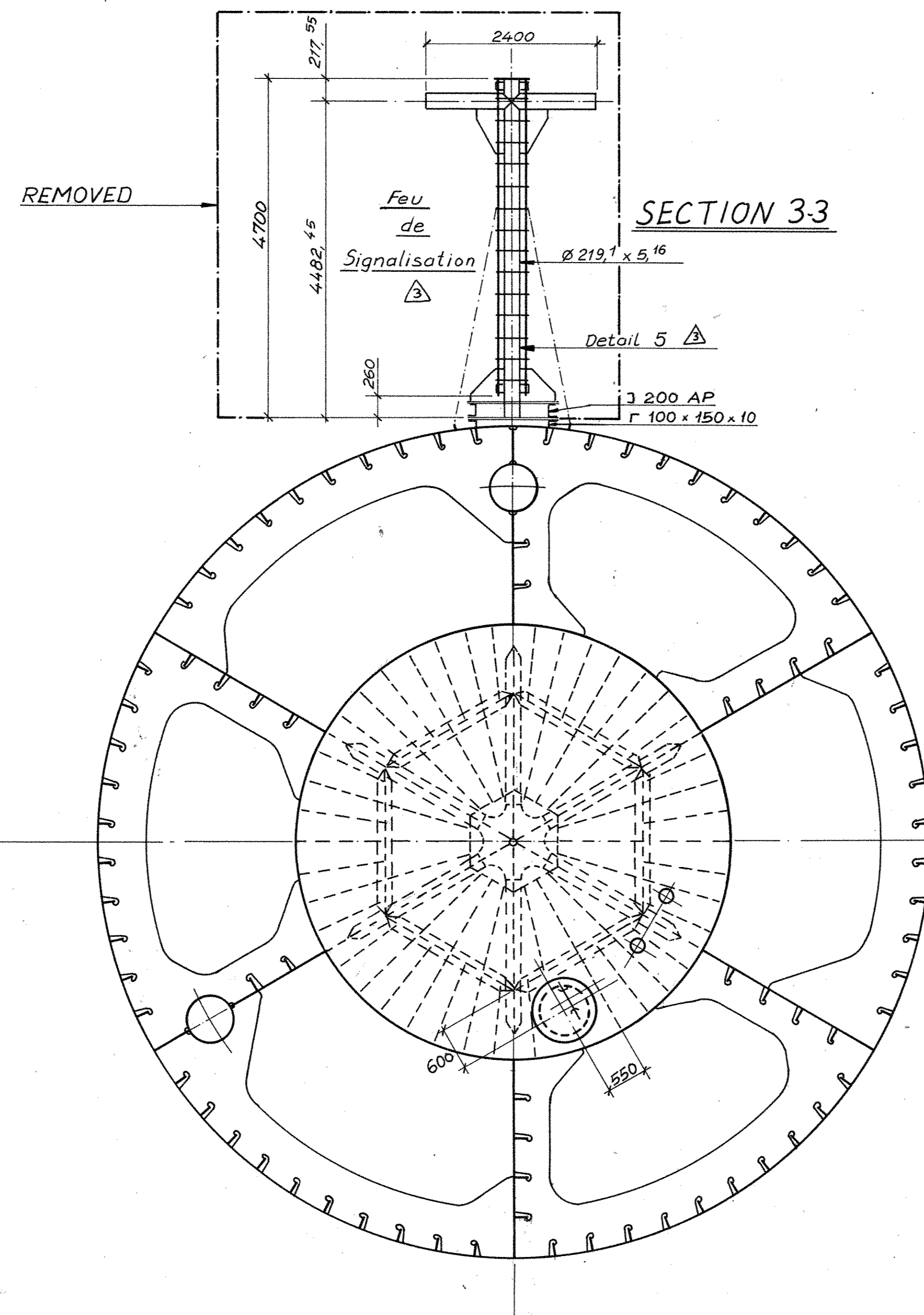
ET PLANS E.M.H.
AND

1415: BALLASTING CONNECTIONS.

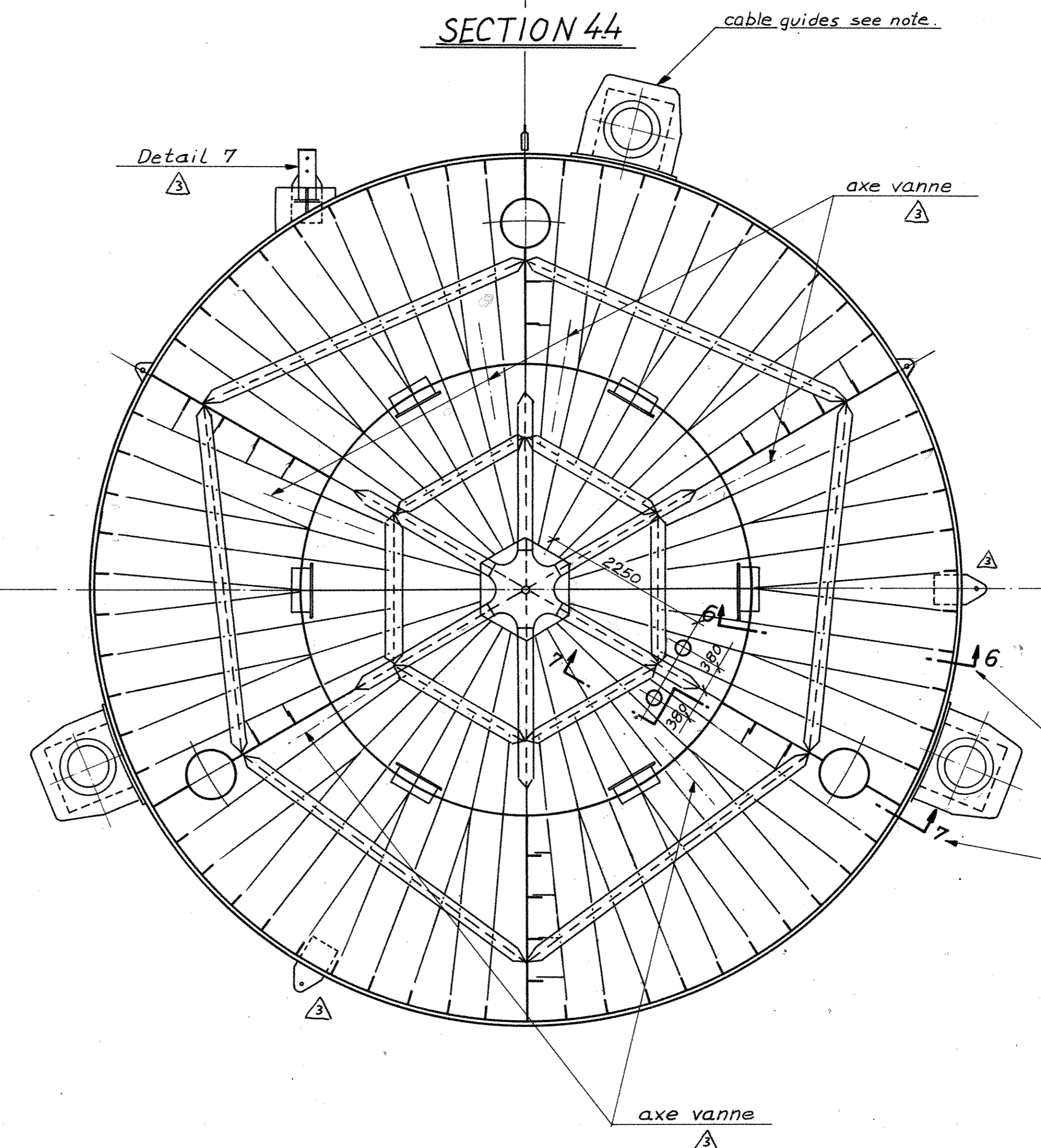
SECTION 2-2



SECTION 3-3



SECTION 4-4



Note: For detail of cable guides installed in 1980 see E.A.N. dwg. FF 99 36 25 2352.

voir au plan 403

AS BUILT
UP TO 1/1/81

CFEM/EMH N° 5183.400.4	
	elf aquitaine norge as p.o. box 168 - 4001 Stavanger Norway
FLARE	System
MAIN FLOAT	System
GENERAL ARRANGEMENT	System
Scale: 1/50	Date: 99 36 25 2035
Rev: 4	Drawn by: