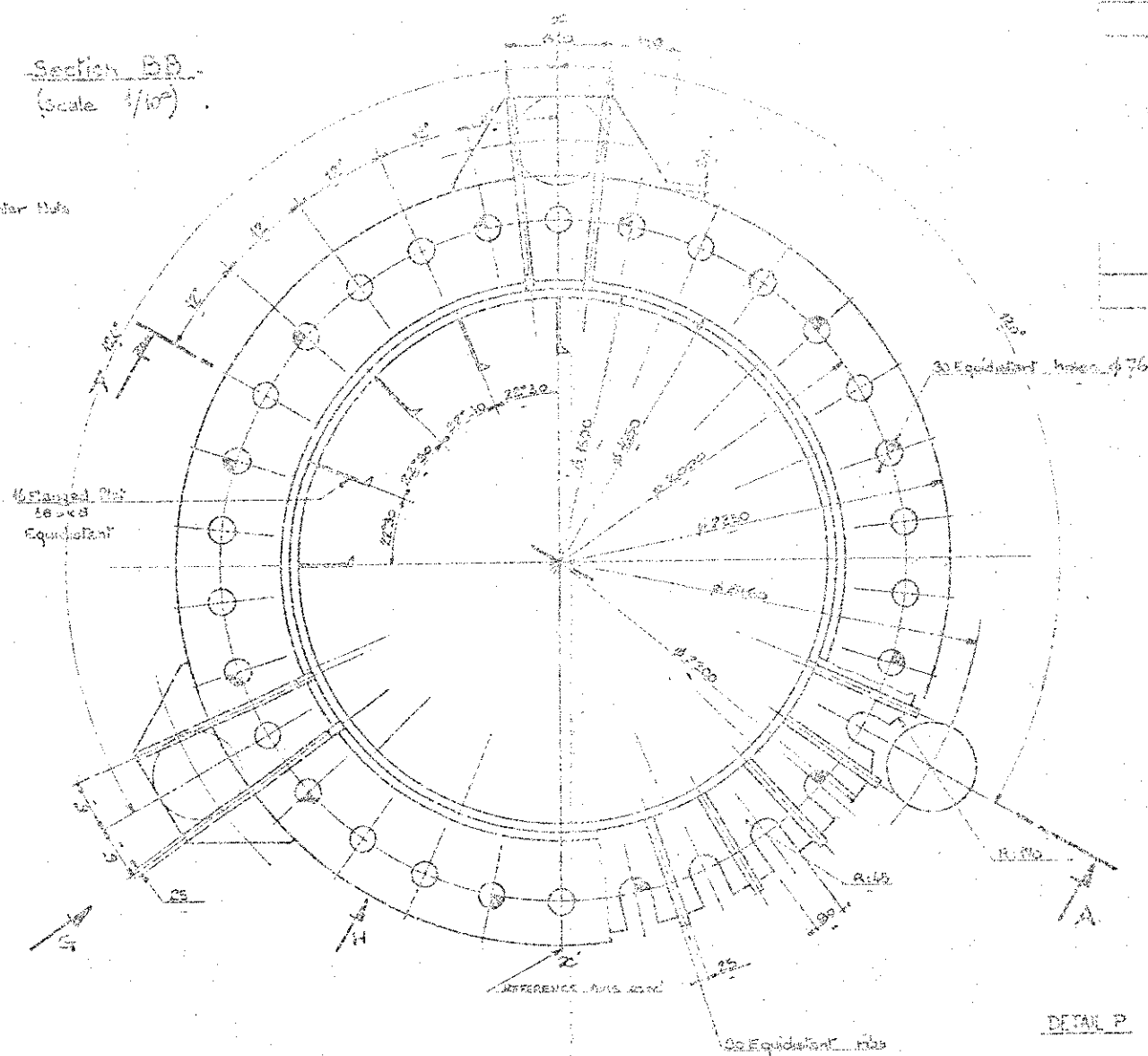
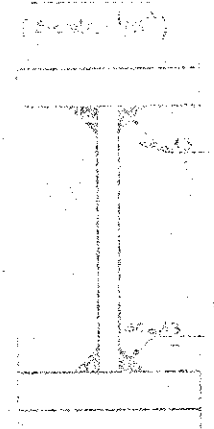


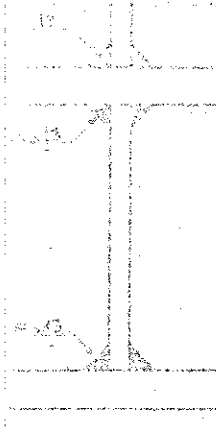
Section BB -
(Scale: 1/10")



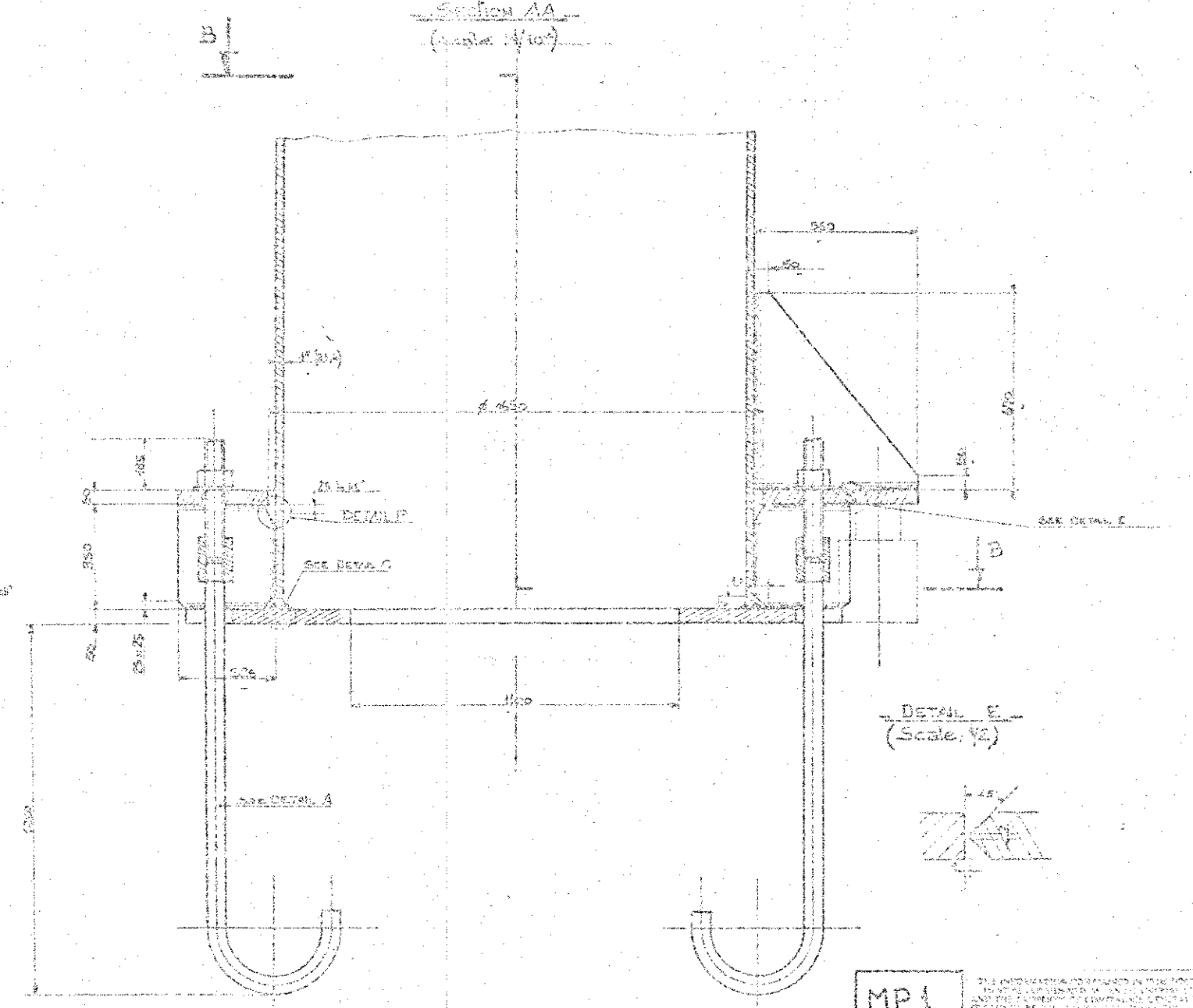
(Scale: 1/10")



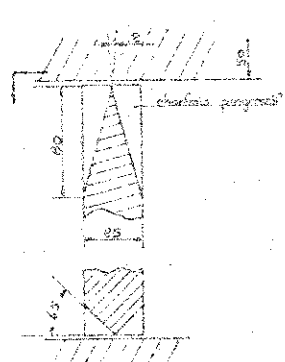
Sec G
(Scale: 1/5")



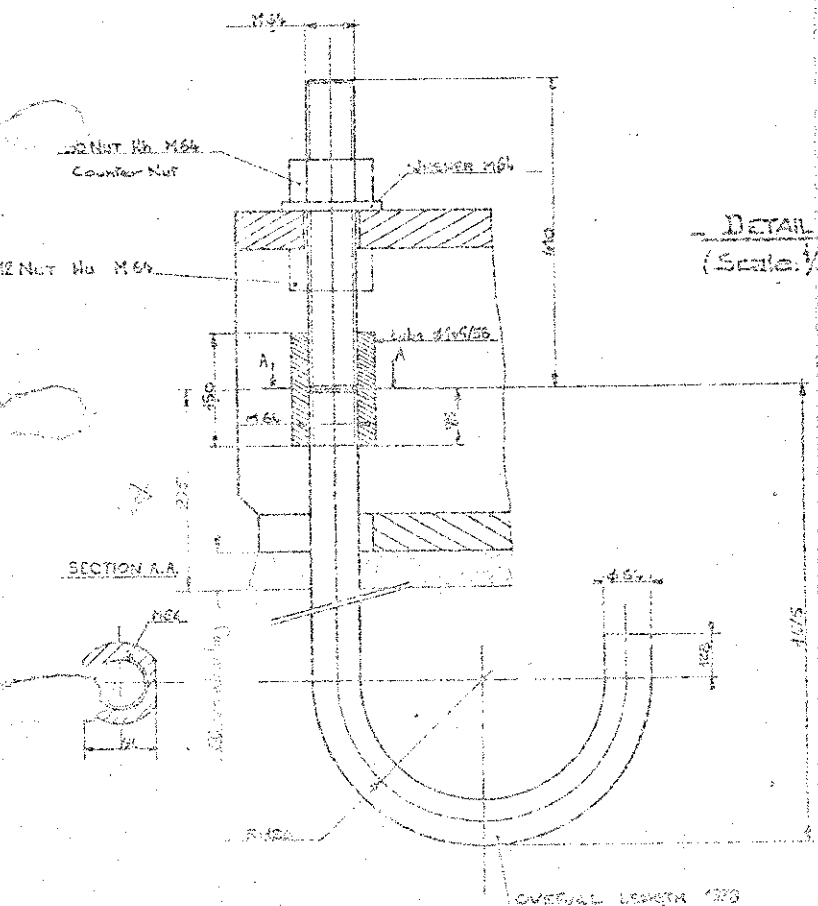
Section AA
(Scale: 1/10")



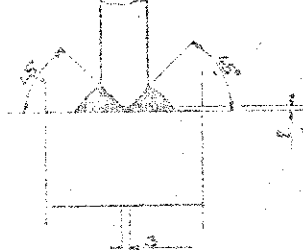
DETAIL P



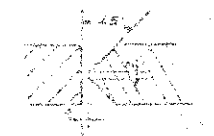
DETAIL A
(Scale: 1/5")



DETAIL C
(Scale: 1/2)



DETAIL E
(Scale: 1/2)



MP1
DP 1

REVISION	DATE	BY	CHKD	DESCRIPTION	APPROVED	DATE
1				ISSUED FOR FABRICATION		
2				REVISION		
3				REVISION		
4				REVISION		
5				REVISION		
6				REVISION		
7				REVISION		
8				REVISION		
9				REVISION		
10				REVISION		
11				REVISION		
12				REVISION		
13				REVISION		
14				REVISION		
15				REVISION		
16				REVISION		
17				REVISION		
18				REVISION		
19				REVISION		
20				REVISION		
21				REVISION		
22				REVISION		
23				REVISION		
24				REVISION		
25				REVISION		
26				REVISION		
27				REVISION		
28				REVISION		
29				REVISION		
30				REVISION		
31				REVISION		
32				REVISION		
33				REVISION		
34				REVISION		
35				REVISION		
36				REVISION		
37				REVISION		
38				REVISION		
39				REVISION		
40				REVISION		
41				REVISION		
42				REVISION		
43				REVISION		
44				REVISION		
45				REVISION		
46				REVISION		
47				REVISION		
48				REVISION		
49				REVISION		
50				REVISION		
51				REVISION		
52				REVISION		
53				REVISION		
54				REVISION		
55				REVISION		
56				REVISION		
57				REVISION		
58				REVISION		
59				REVISION		
60				REVISION		
61				REVISION		
62				REVISION		
63				REVISION		
64				REVISION		
65				REVISION		
66				REVISION		
67				REVISION		
68				REVISION		
69				REVISION		
70				REVISION		
71				REVISION		
72				REVISION		
73				REVISION		
74				REVISION		
75				REVISION		
76				REVISION		
77				REVISION		
78				REVISION		
79				REVISION		
80				REVISION		
81				REVISION		
82				REVISION		
83				REVISION		
84				REVISION		
85				REVISION		
86				REVISION		
87				REVISION		
88				REVISION		
89				REVISION		
90				REVISION		
91				REVISION		
92				REVISION		
93				REVISION		
94				REVISION		
95				REVISION		
96				REVISION		
97				REVISION		
98				REVISION		
99				REVISION		
100				REVISION		

MP1
DP 1

MAIN DECK
COLUMN 8 Row

DATE: 10/10/51