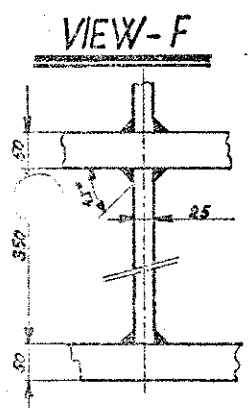
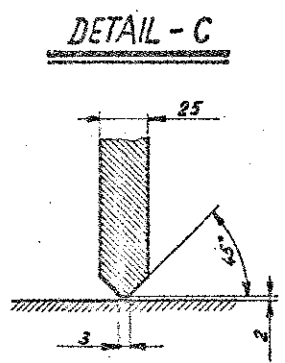
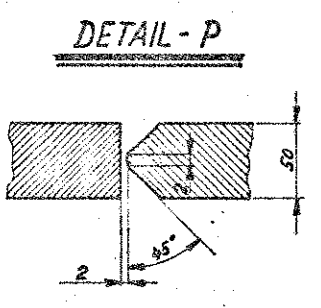
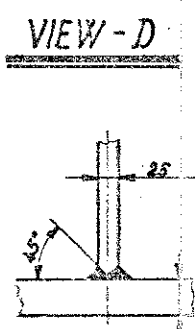
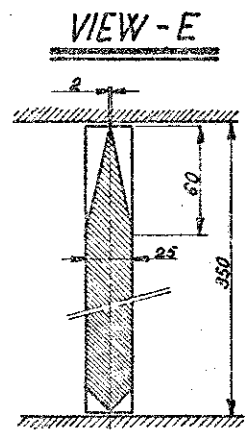
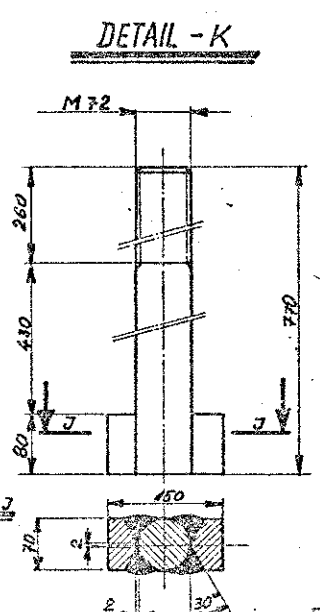
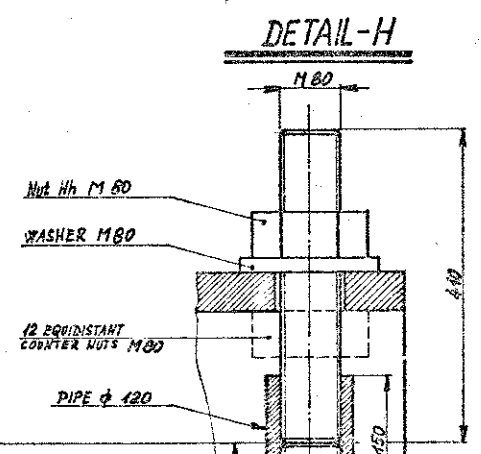
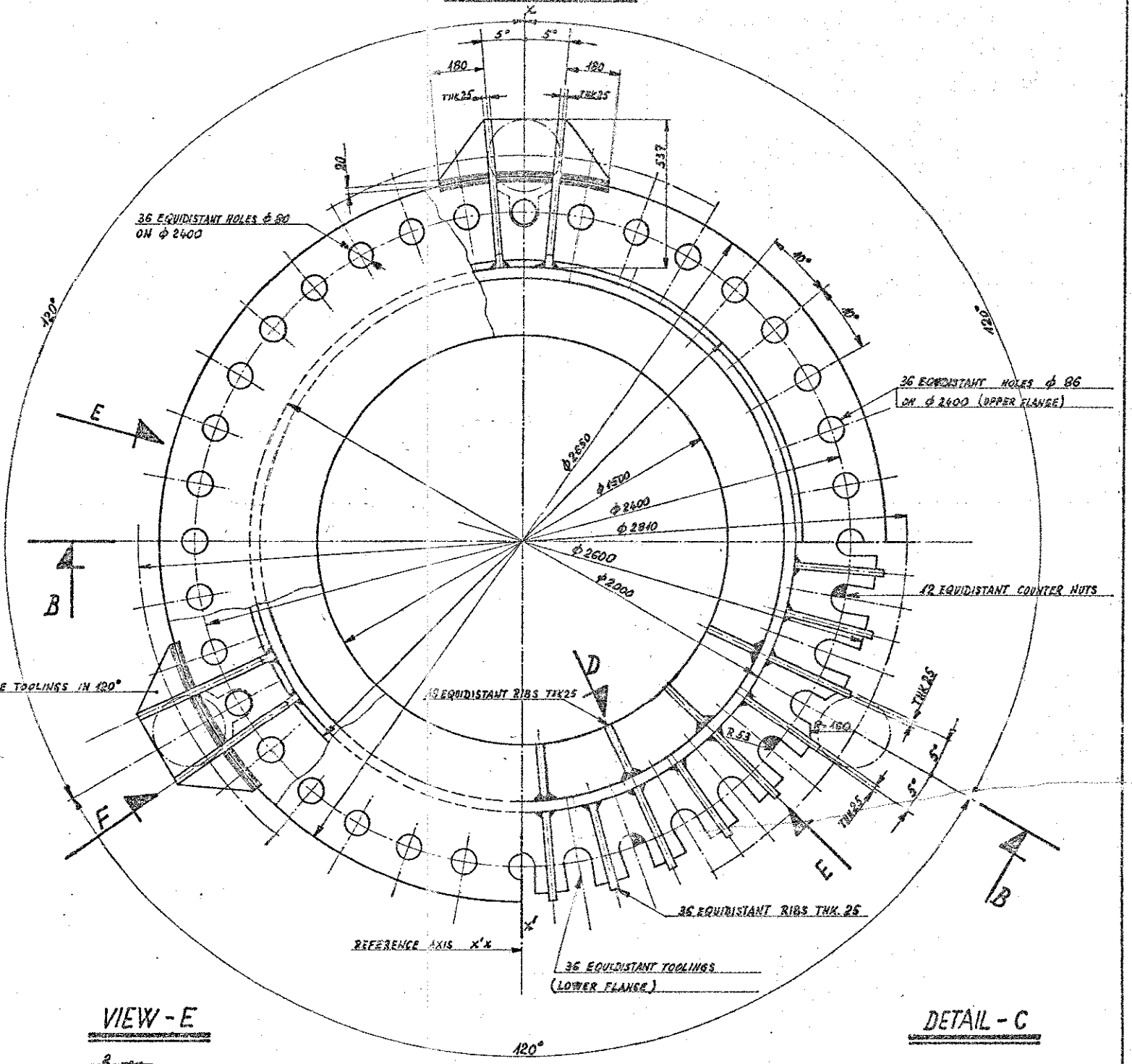
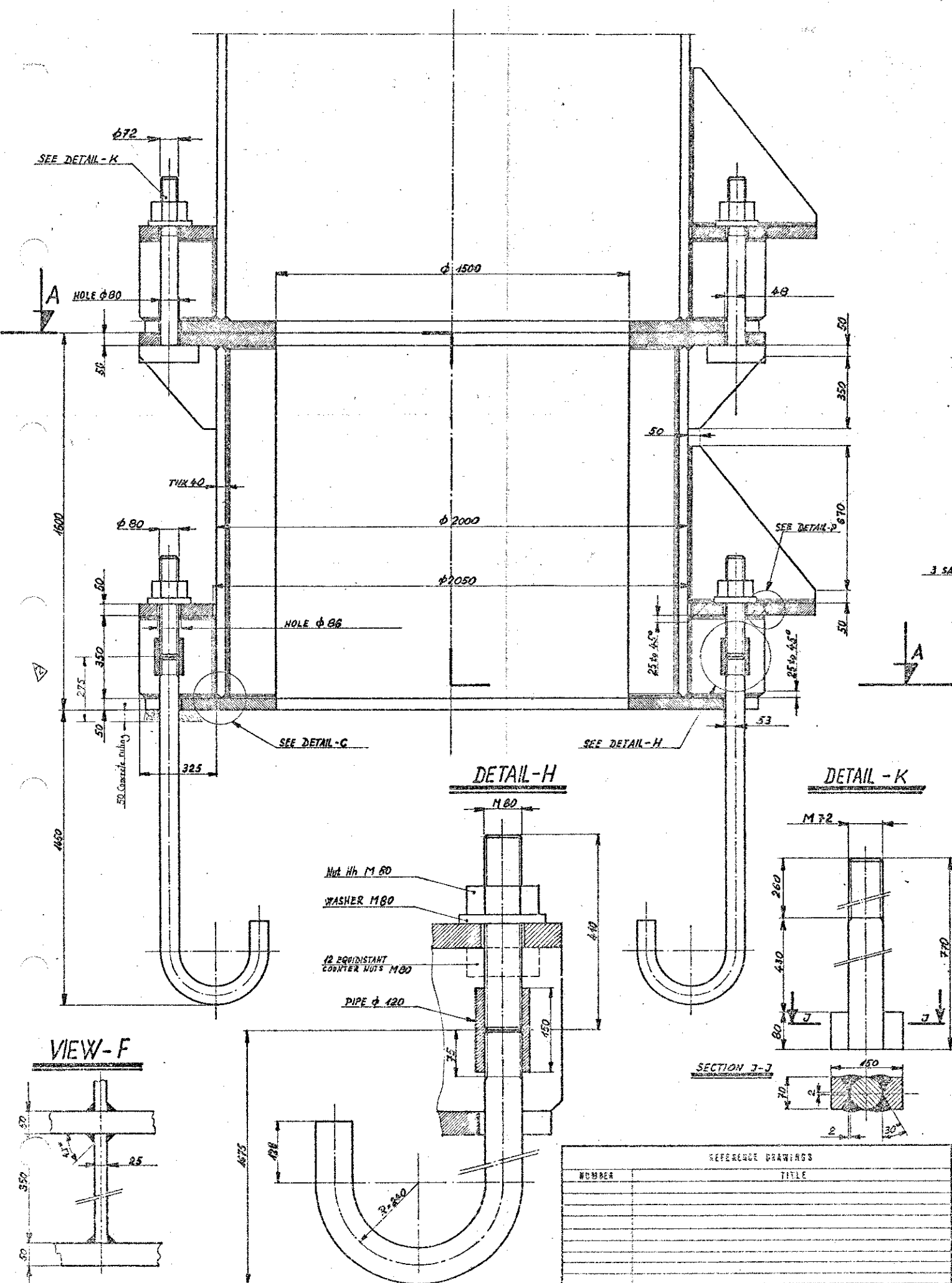


SECTION B-B

SECTION A-A



FOR CONTINUATION SEE DRAWINGS N° A1-MP-QD 4919 AND 5032

NUMBER	REFERENCE DRAWINGS	TITLE	REV	REVISION	BY	DATE
1			1	FOR APPROVAL		19.10.52
2			2	Draw section in section B-B		
3			3	IMP. DATING		19.10.52
4			4	Added section I-I		19.10.52

THE INFORMATION CONTAINED IN THIS DOCUMENT MUST BE CONSIDERED AS AN INDUSTRIAL SECRET AND THE PROPERTY OF TOTAL OIL MARINE LIMITED. IT CANNOT BE COMMUNICATED TO ANY THIRD PARTY OR ANY ONE NOT DIRECTLY CONCERNED WITHOUT THE FORMAL AGREEMENT OF THE MANAGING DIRECTOR OF THIS COMPANY. THE HOLDER OF THE DOCUMENT WILL BE HELD RESPONSIBLE FOR ALL DEVIATIONS FROM THIS STIPULATION.

DP 1	C. G. DORIS John Howard	TOTAL OIL MARINE LIMITED LONDON
651.01.234		Frigg field to Sattisland pipe line Intermediate manifold platform
MAIN DECK COLUMN Ø 2000 H' 6		
DRAWN BY DATE	CHECKED BY DATE	APPROVED BY DATE
SCALE 1/10; 1/5; 1/2	PROJECT N° 532	DRAWING NUMBER A1-MP-QD-5028