

V2A
GLYCOL CONTACTOR
3 302M I.D. x 8-534M-T
(130" I.D. x 28'-0" T-T)
15 x 10° SCMD GAS
(523-65 x 10° SCFD)
MWP 172 BARS ABS. (2473 PSIG)
MWT 50°C (122°F)
VESSEL TRIM N° 150EF

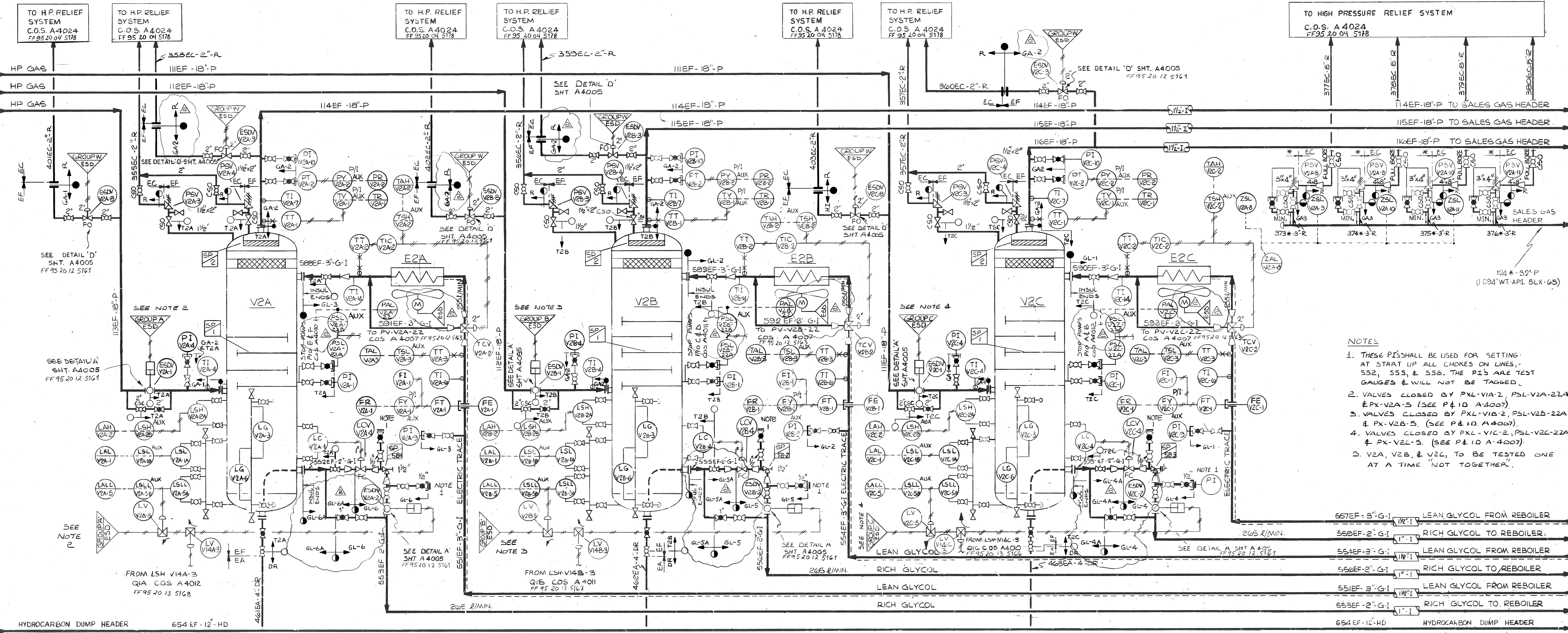
E2A
GLYCOL COOLER
0.842 x 10° kcal/hr (3.34 x 10° Btu/Hr)

V2B
GLYCOL CONTACTOR
3 302M I.D. x 8-534M-T
(130" I.D. x 28'-0" T-T)
15 x 10° SCMD GAS
(523-65 x 10° SCFD)
MWP 172 BARS ABS. (2473 PSIG)
MWT 50°C (122°F)
VESSEL TRIM N° 151EF

E2B
GLYCOL COOLER
0.842 x 10° kcal/hr (3.34 x 10° Btu/Hr)

V2C
GLYCOL CONTACTOR
3 302M I.D. x 8-534M-T
(130" I.D. x 28'-0" T-T)
15 x 10° SCMD GAS
(523-65 x 10° SCFD)
MWP 172 BARS ABS. (2473 PSIG)
MWT 50°C (122°F)
VESSEL TRIM N° 152EF

E2C
GLYCOL COOLER
0.842 x 10° kcal/hr (3.34 x 10° Btu/Hr)



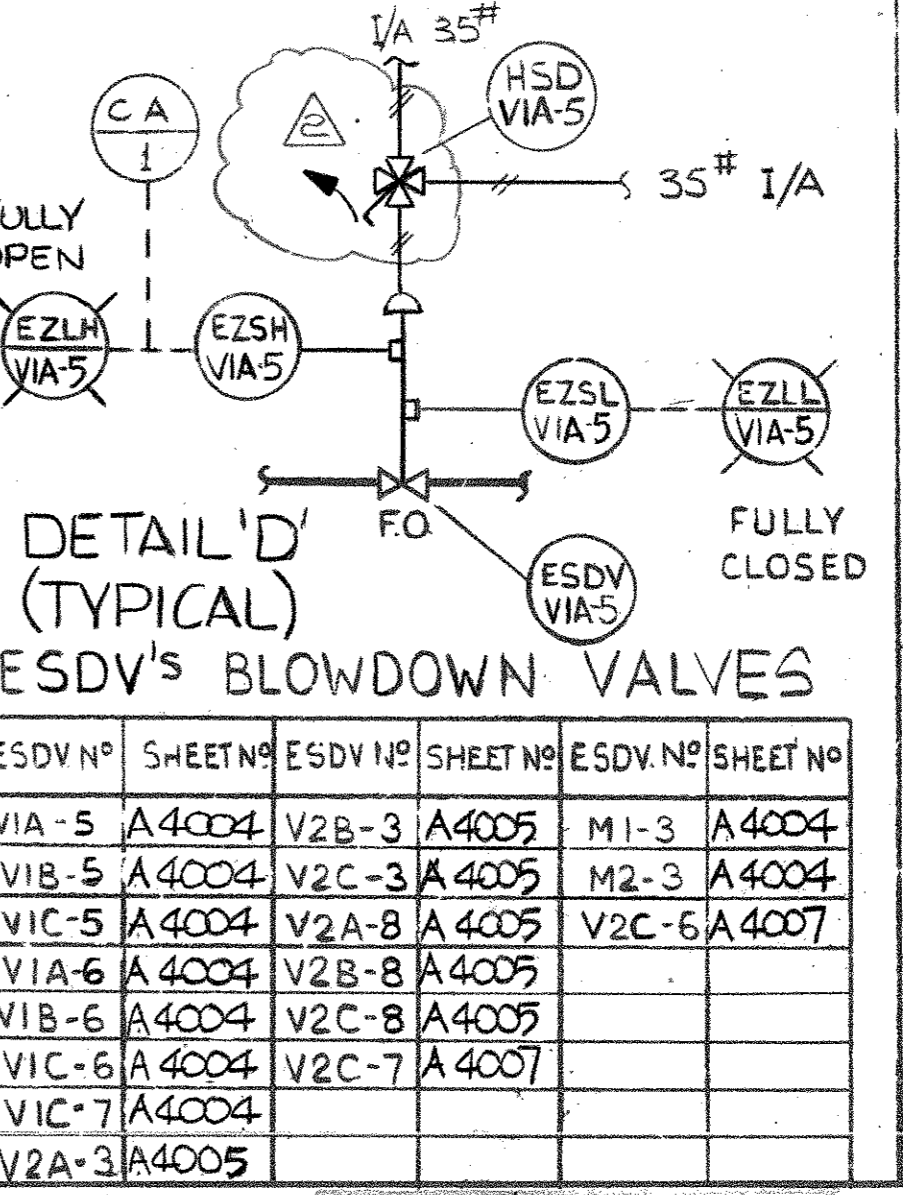
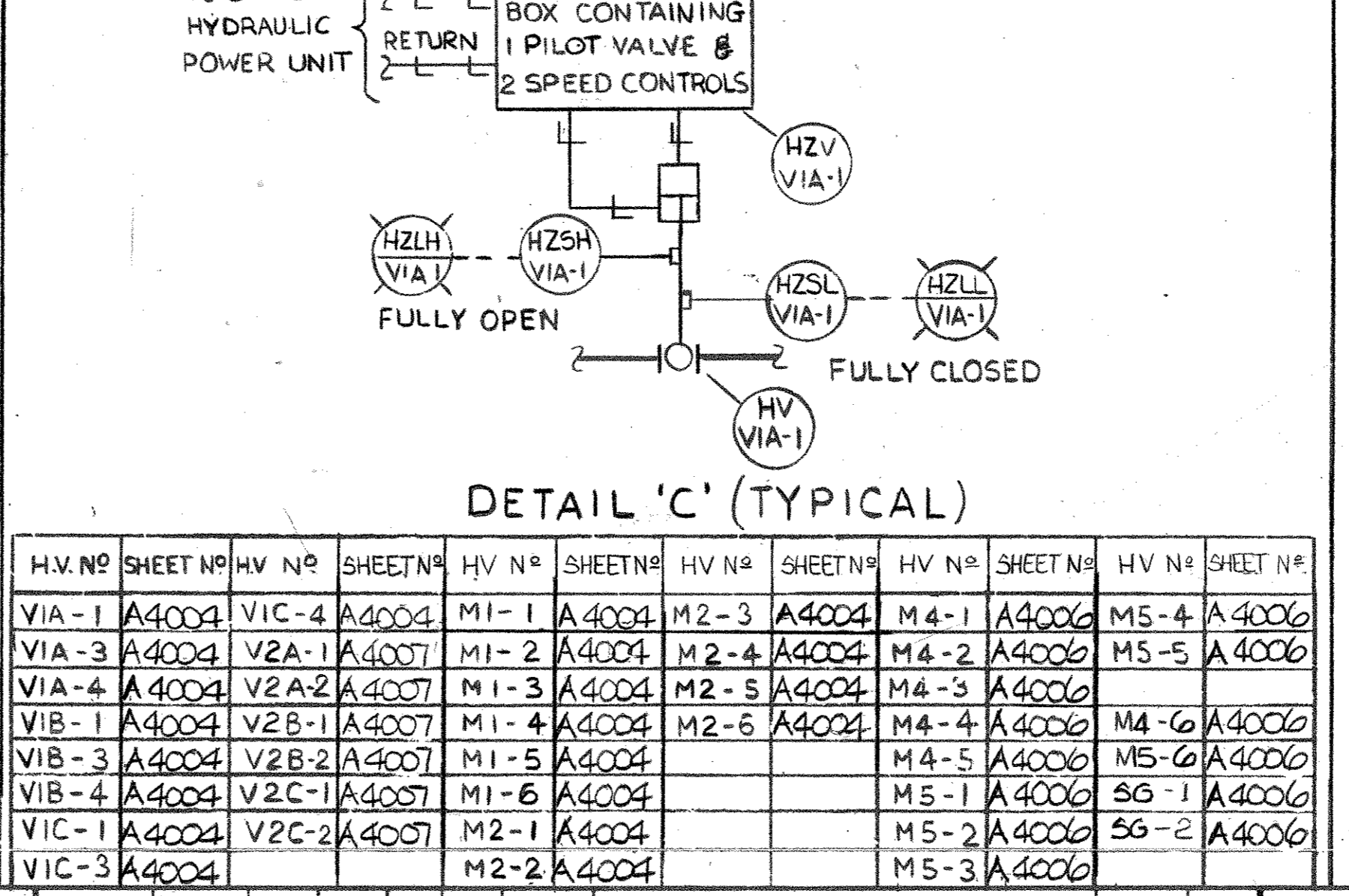
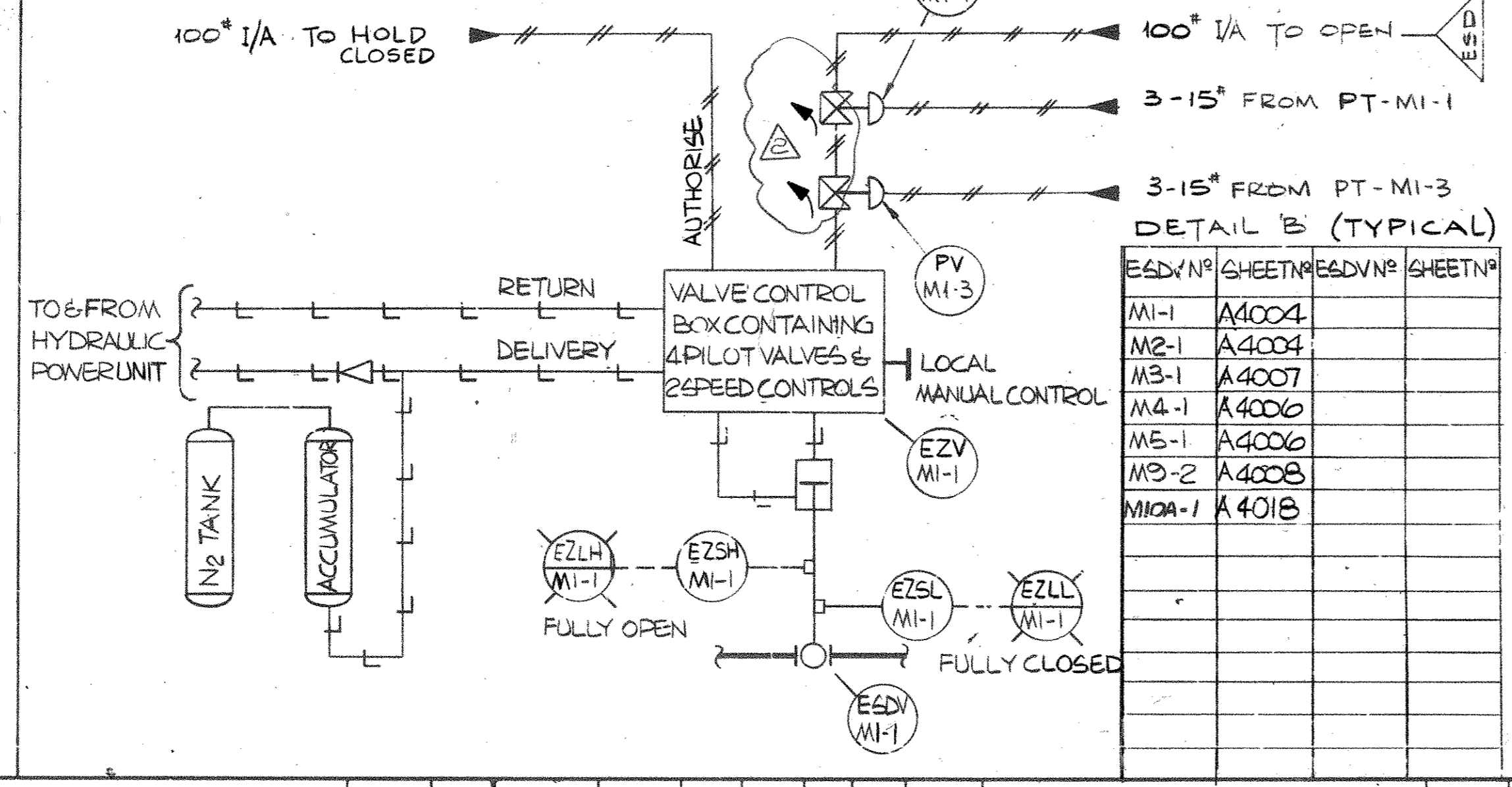
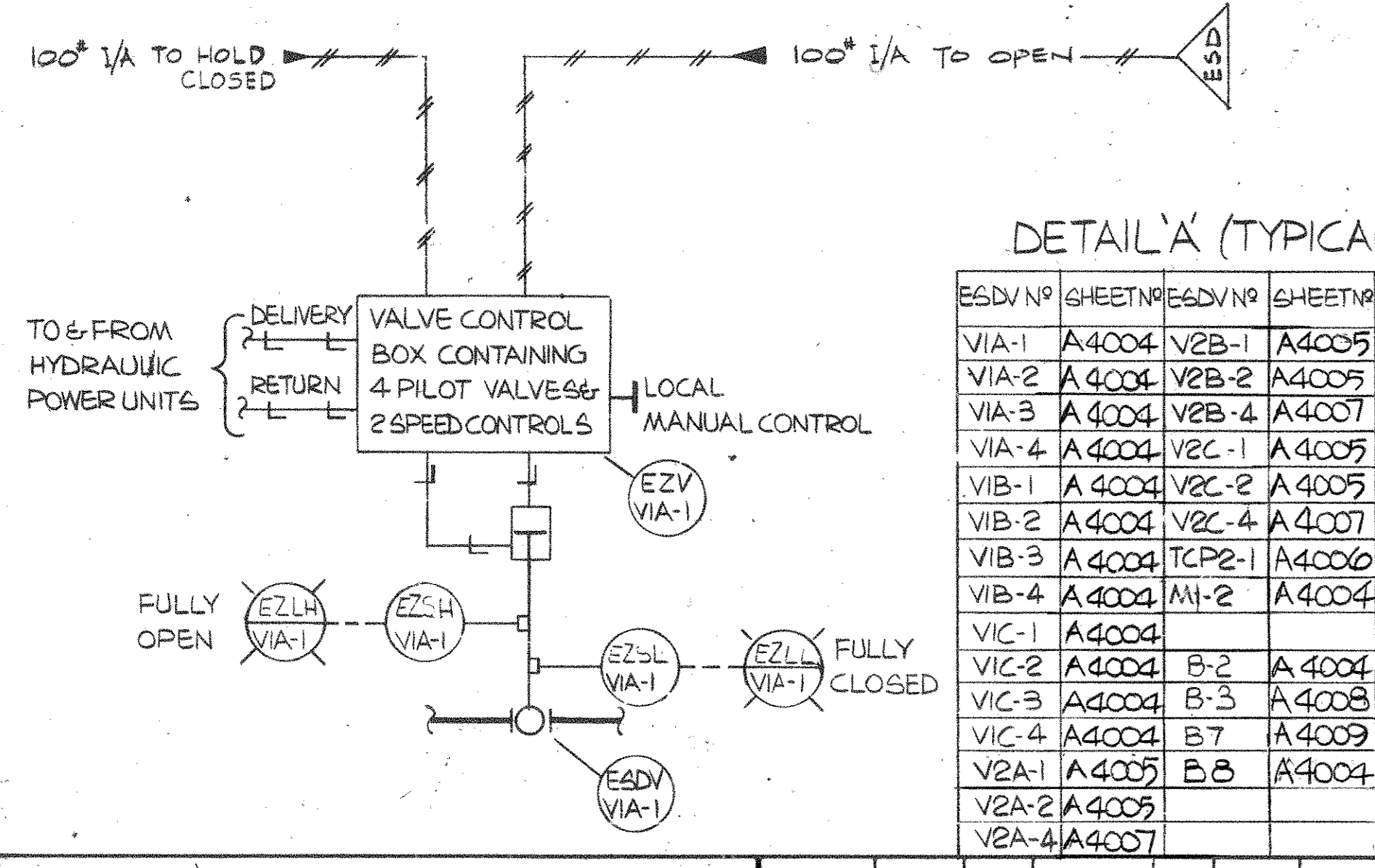
- NOTES**
1. THESE PIS SHALL BE USED FOR SETTING AT START UP ALL CHOKES ON LINES, 552, 553, & 558. THE PIS ARE TEST GAUGES & WILL NOT BE TAGGED.
 2. VALVES CLOSED BY PXL-VIA-2, PSL-V2A-22A & PX-V2A-5 (SEE P&ID A-4007).
 3. VALVES CLOSED BY PXL-VIB-2, PSL-V2B-22A & PX-V2B-5 (SEE P&ID A-4007).
 4. VALVES CLOSED BY PXL-VIC-2, PSL-V2C-22A & PX-V2C-5 (SEE P&ID A-4007).
 5. V2A, V2B, & V2C, TO BE TESTED ONE AT A TIME NOT TOGETHER.

557EF-3" G-1	LEAN GLYCOL FROM REBOILER
558EF-2" G-1	RICH GLYCOL TO REBOILER
554EF-3" G-1	LEAN GLYCOL FROM REBOILER
556EF-2" G-1	RICH GLYCOL TO REBOILER
551EF-3" G-1	LEAN GLYCOL FROM REBOILER
553EF-2" G-1	RICH GLYCOL TO REBOILER

TO DRAINAGE SYSTEM
C.O.S. A4028
FF95 20 10 5179

TO DRAINAGE SYSTEM
C.O.S. A4028
FF95 20 10 5179

TO DRAINAGE SYSTEM
C.O.S. A4028
FF95 20 10 5179



* TOTAL OIL MARINE SPECIFICATIONS
MP-L-1, 6, 7, 8, 9, 10, 11, 12, 13 (800 ANSI RATING)

HYDRO-TEST FLOWSHEET

ESDV N°	SHEET N°	ESDV N°	SHEET N°	ESDV N°	SHEET N°
VIA-1	A4004	VIB-1	A4005	VIC-1	A4006
VIA-2	A4004	VIB-2	A4005	VIC-2	A4006
VIA-3	A4004	VIB-3	A4005	VIC-3	A4006
VIA-4	A4004	VIB-4	A4005	VIC-4	A4006
VIA-5	A4004	VIB-5	A4005	VIC-5	A4006
VIA-6	A4004	VIB-6	A4005	VIC-6	A4006
VIA-7	A4004	VIB-7	A4005	VIC-7	A4006
VIA-8	A4004	VIB-8	A4005	VIC-8	A4006
VIA-9	A4004	VIB-9	A4005	VIC-9	A4006
VIA-10	A4004	VIB-10	A4005	VIC-10	A4006

DESIGN	STRUCT	PIPING	ELEC.	HK.	BY	DATE	REVISIONS	DATE	APP.	DESIGN	STRUCT	PIPING	ELEC.	HK.	BY	DATE	REVISIONS	DATE	APP.	

McDERMOTT - HUDSON
LONDON - ENGLAND

APPROVED: *[Signature]*
DATE: 19 Feb 71

FRIGG FIELD
FF 95 20 12 5161
SHEET NO. 2

DESIGNED BY: J.A.N. PHILLIPS
DRAWN BY: A. HALLSTONE
CHECKED BY: O.D.
SCALE: 1:1

DWG. NO. ELN210
SHEET NO. A4005

PIPING AND INSTRUMENT DIAGRAM
GLYCOL CONTACTORS