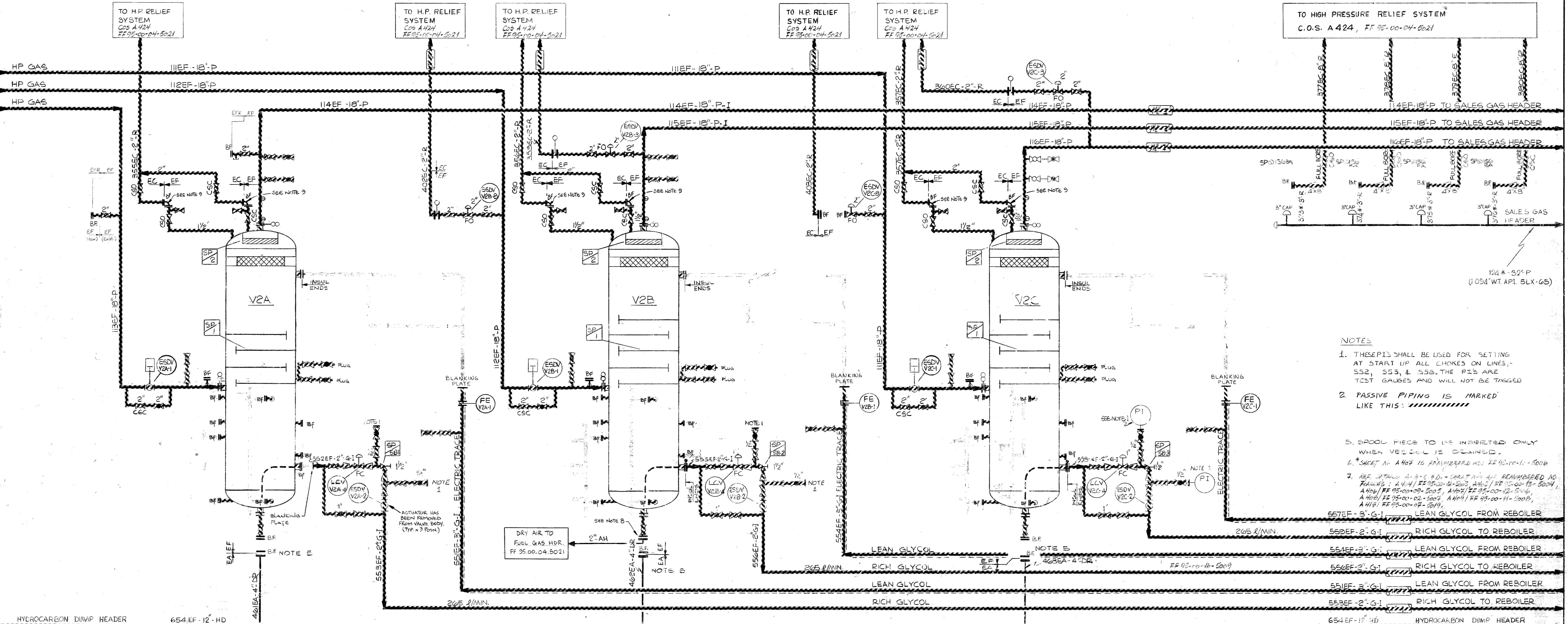


V2A
 GLYCOL CONTACTOR
 3-302M I.D. x 8-534MT-T
 (130' I.D. x 28'-0" T-T)
 15 x 10⁶ SCMD GAS
 (529 x 10⁶ SCFD)
 MWP 172 BARS ABS. (2479 PSIG)
 MWT 50°C (122°F)
 VESSEL TRIM NO 1505EF

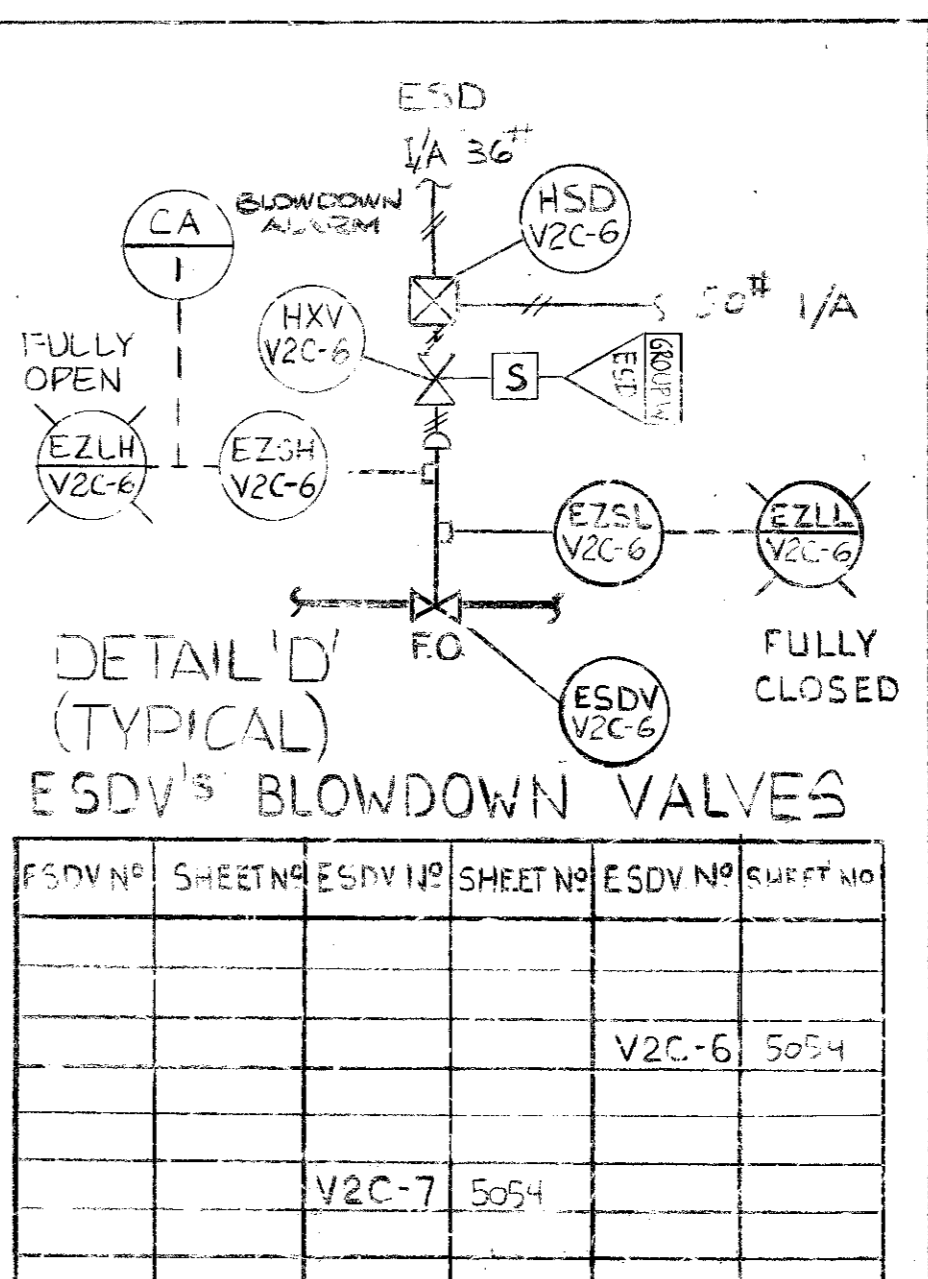
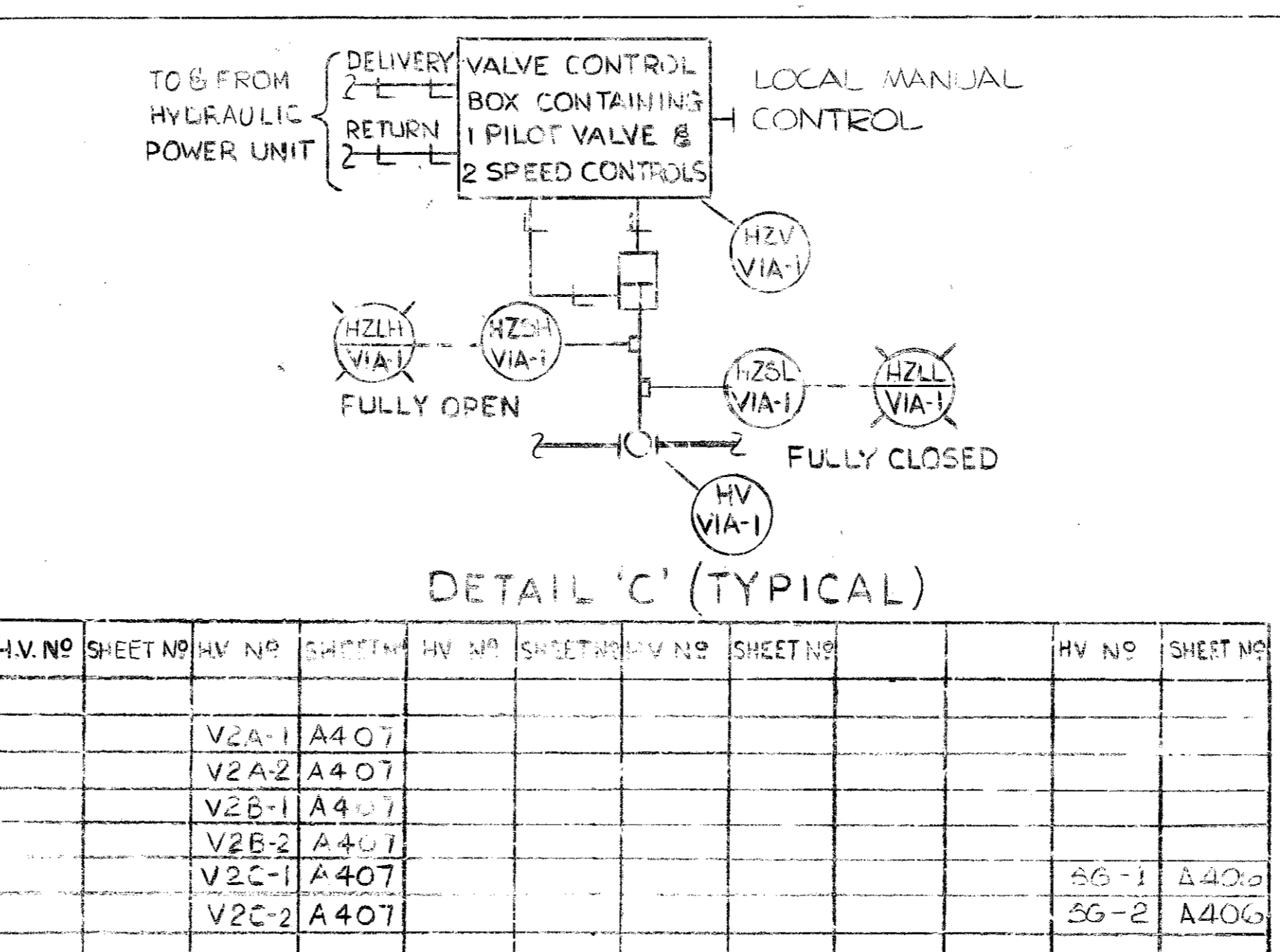
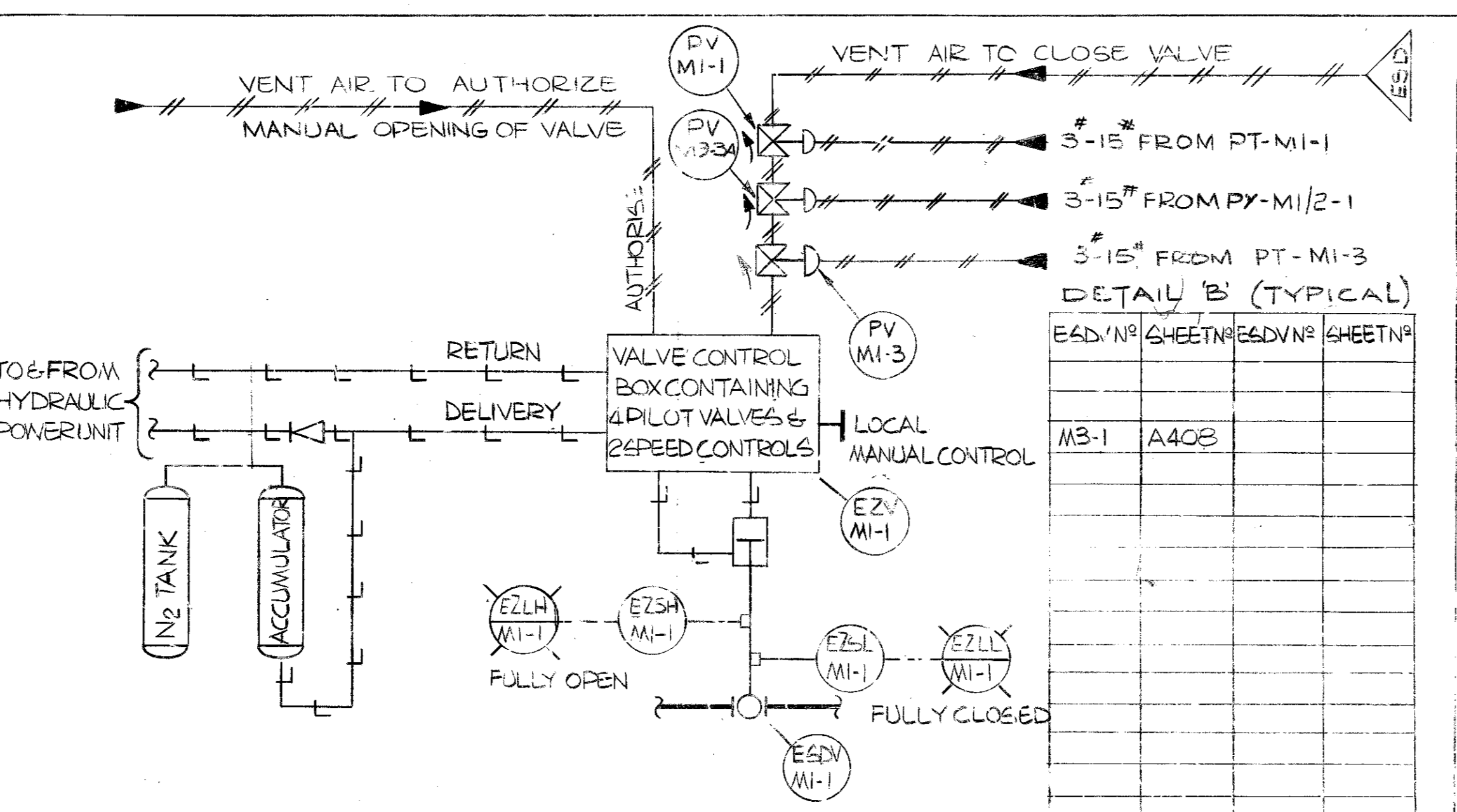
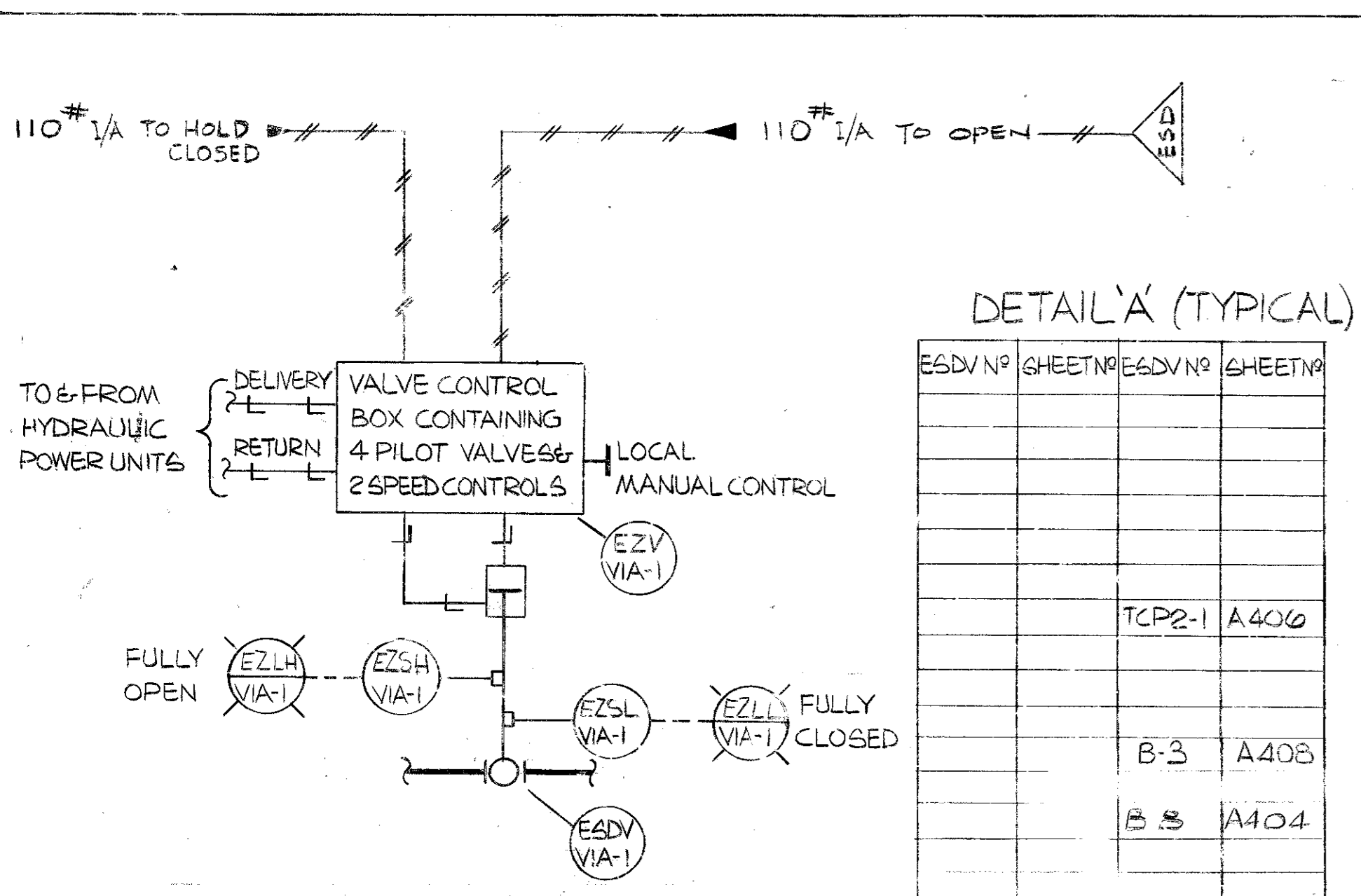
V2B
 GLYCOL CONTACTOR
 3-302M I.D. x 8-534MT-T
 (130' I.D. x 28'-0" T-T)
 15 x 10⁶ SCMD GAS
 (529 x 10⁶ SCFD)
 MWP 172 BARS ABS. (2479 PSIG)
 MWT 50°C (122°F)
 VESSEL TRIM NO 1515EF

V2C
 GLYCOL CONTACTOR
 3-302M I.D. x 8-534MT-T
 (130' I.D. x 28'-0" T-T)
 15 x 10⁶ SCMD GAS
 (529 x 10⁶ SCFD)
 MWP 172 BARS ABS. (2479 PSIG)
 MWT 50°C (122°F)
 VESSEL TRIM NO 1525EF



- NOTES**
- THESE PIS SHALL BE USED FOR SETTING AT START UP ALL CHOKES ON LINES. S52, S53, & S55. THE PIS ARE TEST GAUGES AND WILL NOT BE TAGGED.
 - PASSIVE PIPING IS MARKED LIKE THIS:
 - SPOOL PIECE TO BE INSERTED ONLY WHEN VESSEL IS DRAINING.
 - SHEET NO. A406 IS REVISED NO. FF 95-00-13-5004.
 - REF. SHEETS A-2-C-B-D-C-E-F-G-H-I-J-K-L-M-N-O-P-Q-R-S-T-U-V-W-X-Y-Z.
 - REF. SHEETS A-2-C-B-D-C-E-F-G-H-I-J-K-L-M-N-O-P-Q-R-S-T-U-V-W-X-Y-Z.

- NOTES (CONT)**
- 4" 1600 RTJ BUND FLG. BORED TO SUIT 2" WB PIPE (SPEC 'AH')
 - SPECIAL PRESERVATION SPOOL INSTALLED



H.V. NO.	SHEET NO.	HW NO.	SHIPPED	HW NO.	SHEET NO.	HW NO.	SHEET NO.
V2A-1	A407						
V2A-2	A407						
V2B-1	A407						
V2B-2	A407						
V2C-1	A407						
V2C-2	A407						

* TOTAL OIL MARINE SPECIFICATIONS
 MP-L-1, 6, 7, 8, 9, 10, 11, 12, 13 (200# ANSI RATING)

elf aquitaine norge as
 PIPING & INSTRUMENT DIAGRAM
 GLYCOL CONTACTORS
 FRIGG FIELD
 DWG. NO. FF 95-00-13-5004

DESIGN	STRUCT	PIPING	ELEC	REC	DATE	BY	DATE	BY	DATE
10/1/78	2/7	12/1	12/1	12/1	7-9-76	JL	7-9-76	JL	7-9-76
11/11/78	11/3	11/3	11/3	11/3	6-5-78	TD	6-5-78	TD	6-5-78
10/26/78	10/26	10/26	10/26	10/26	5/12/78	JL	5/12/78	JL	5/12/78
9/13/78	9/13	9/13	9/13	9/13	3-11-78	GM	3-11-78	GM	3-11-78