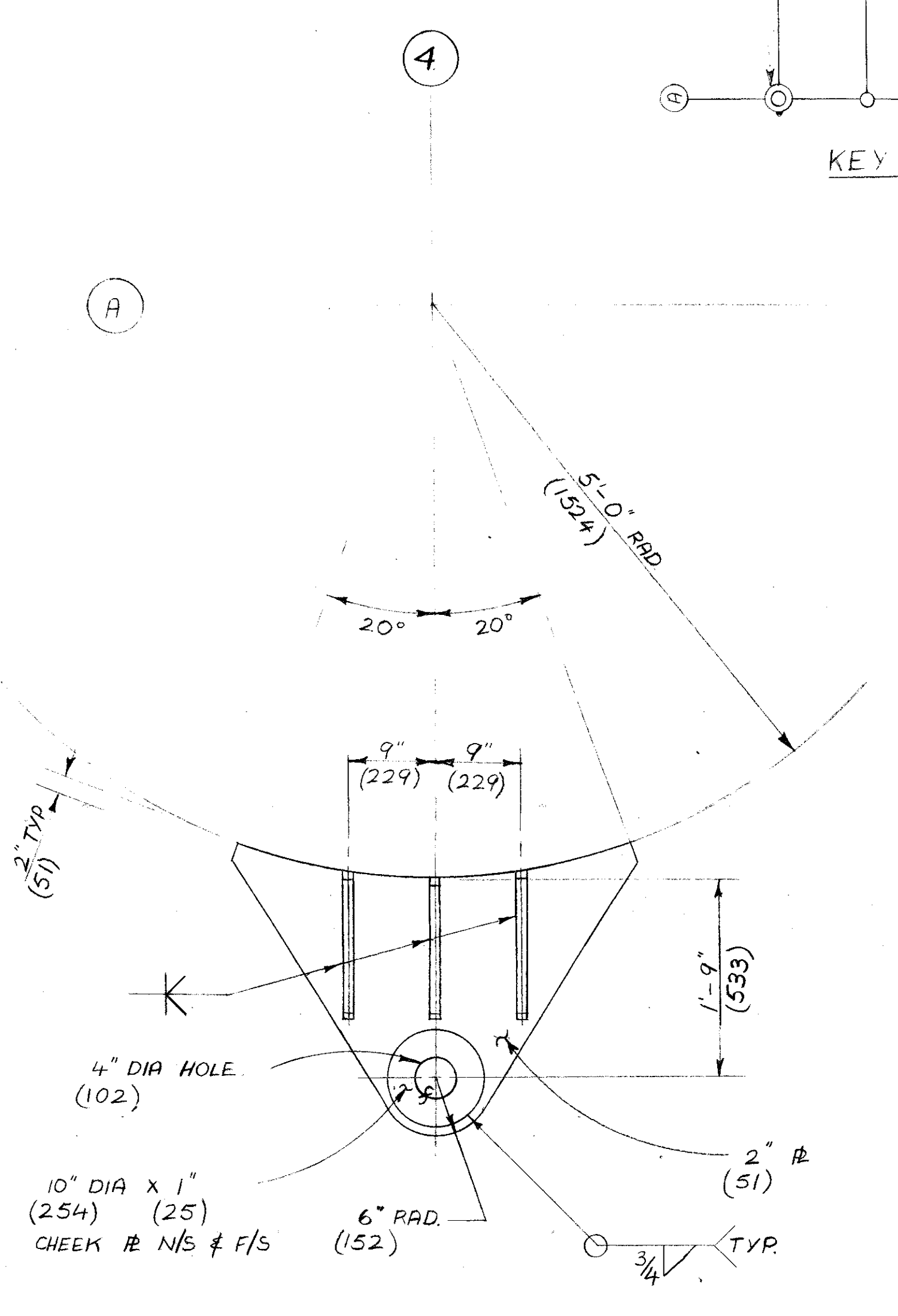
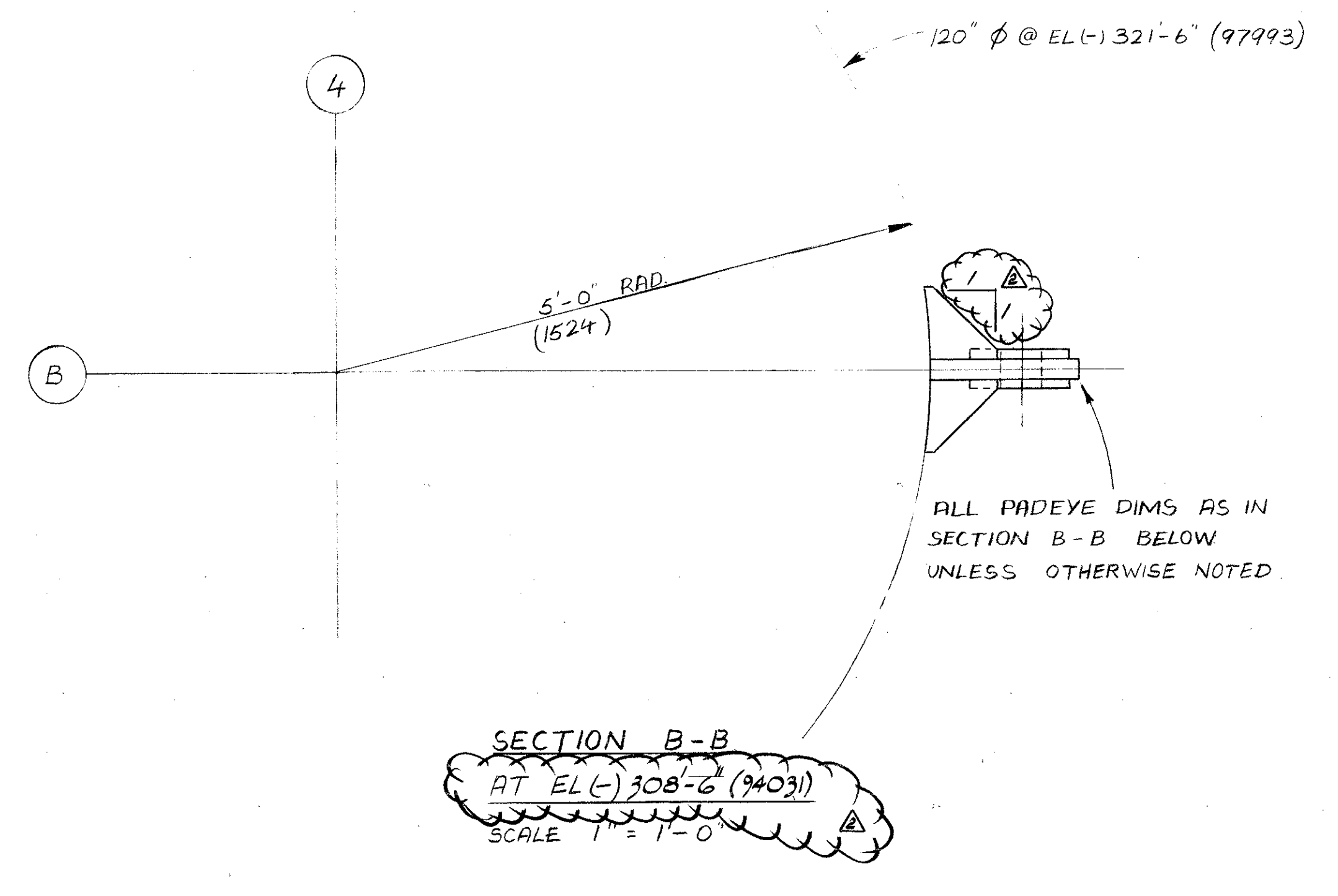
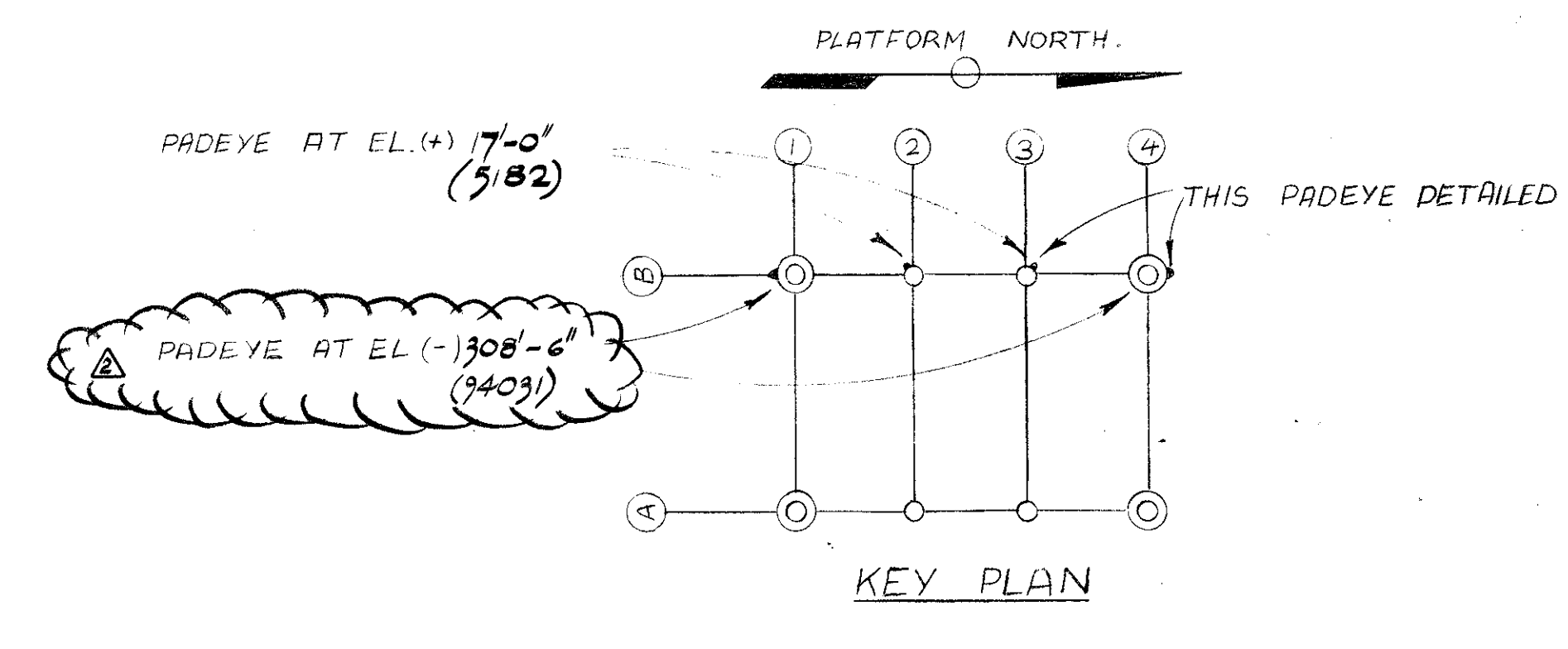
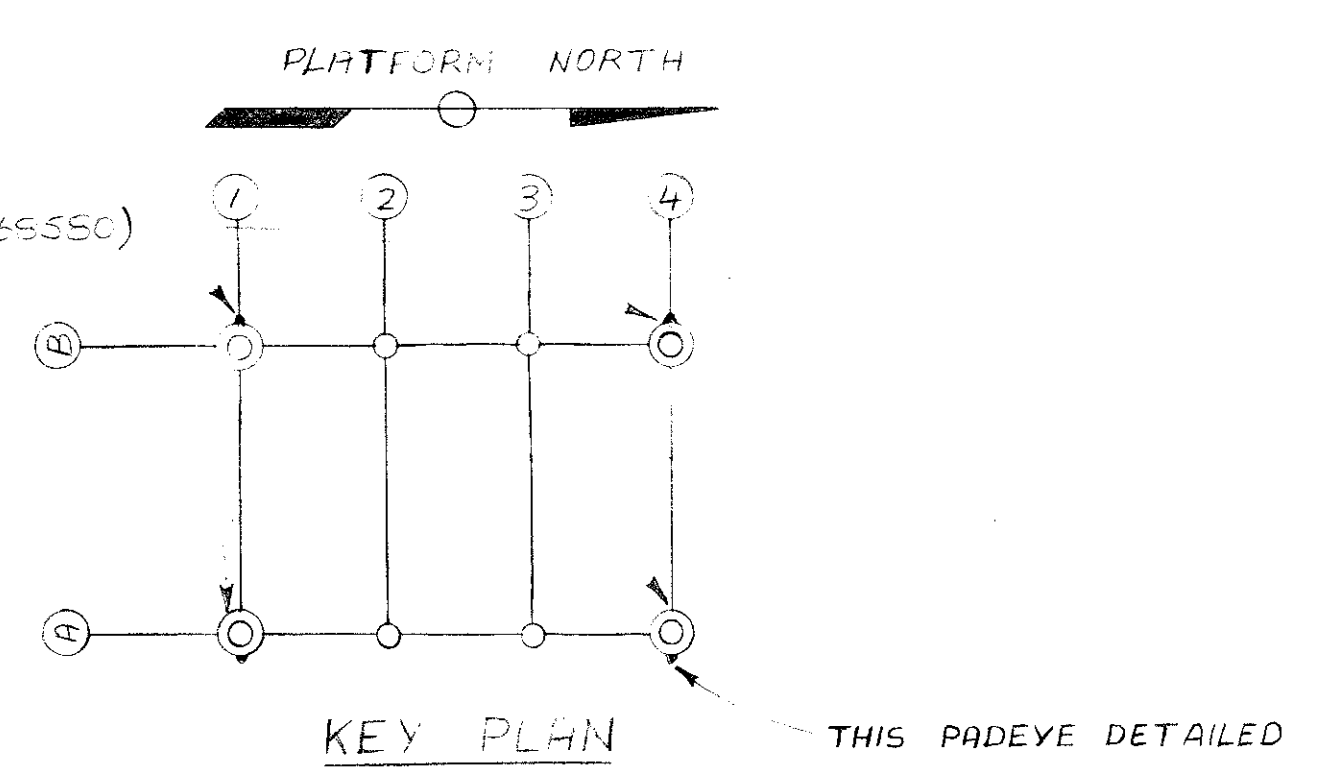


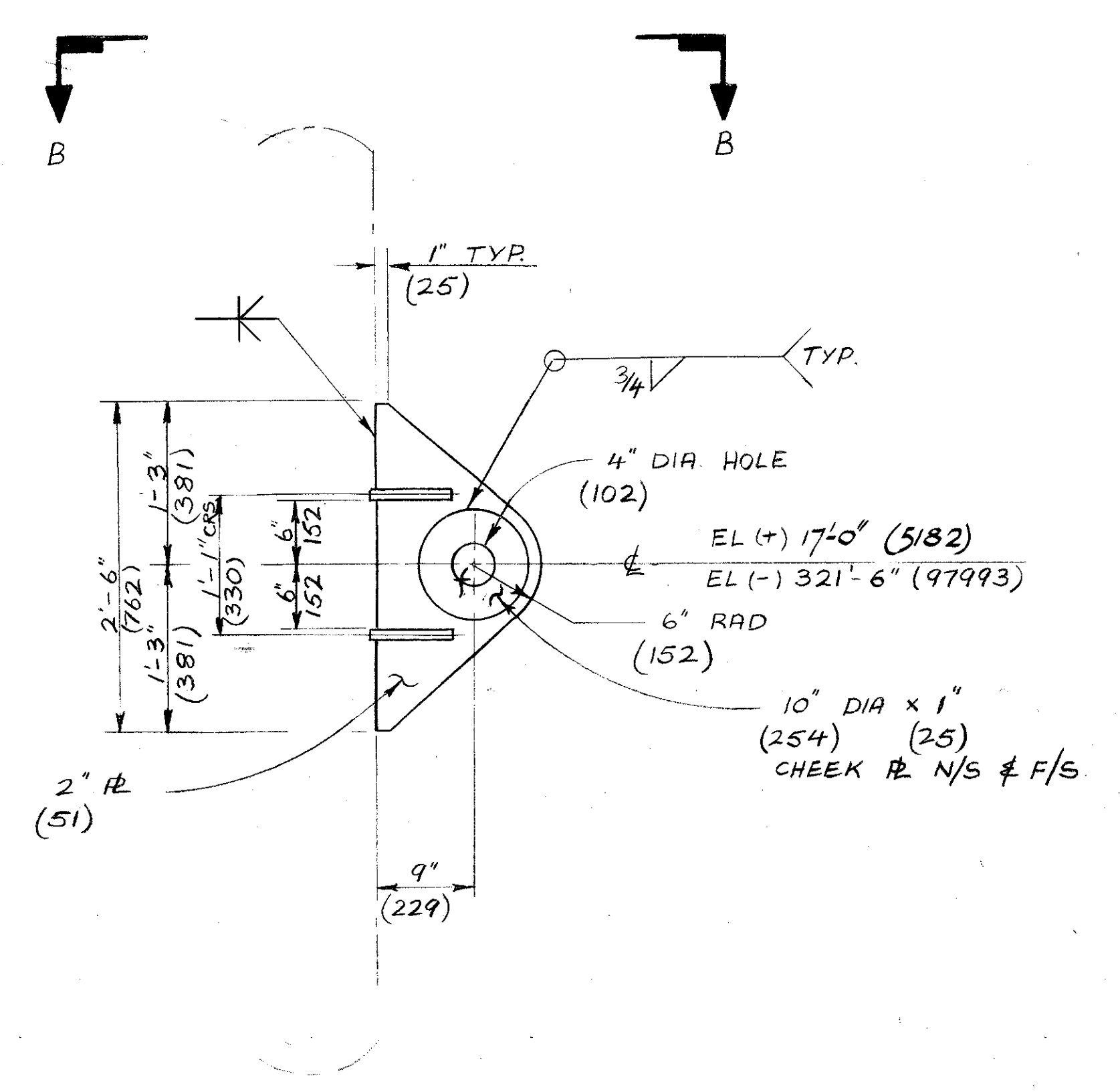
DETAIL 1
JKT ERECTION PADEYE DETAILS
 ON LEGS A1, A4, B1 & B4
 @ EL (-) 225'-0" (68580)
 4 REQD.
 SCALE 1" = 1'-0"



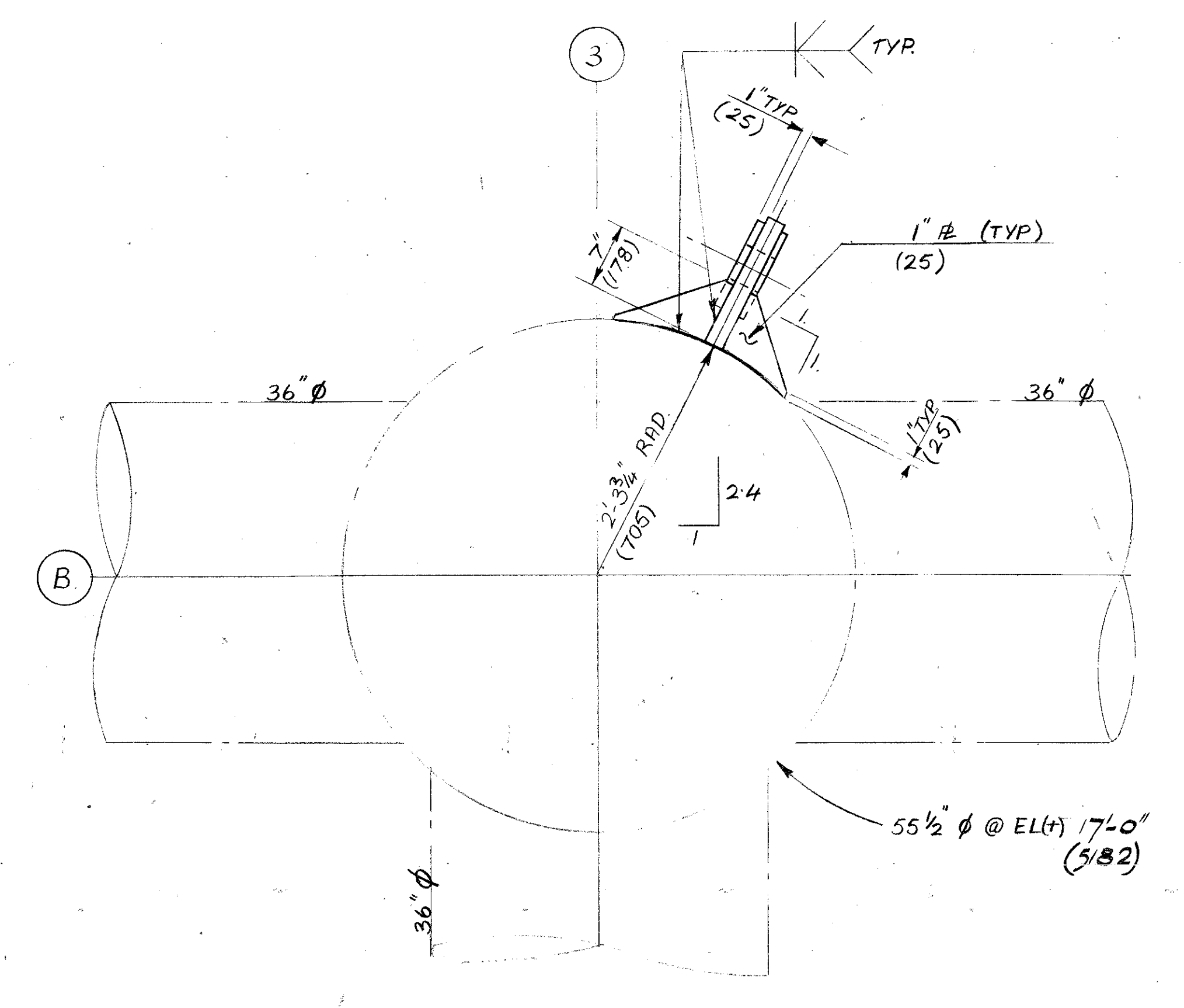
SECTION A-A
 SCALE 1" = 1'-0"



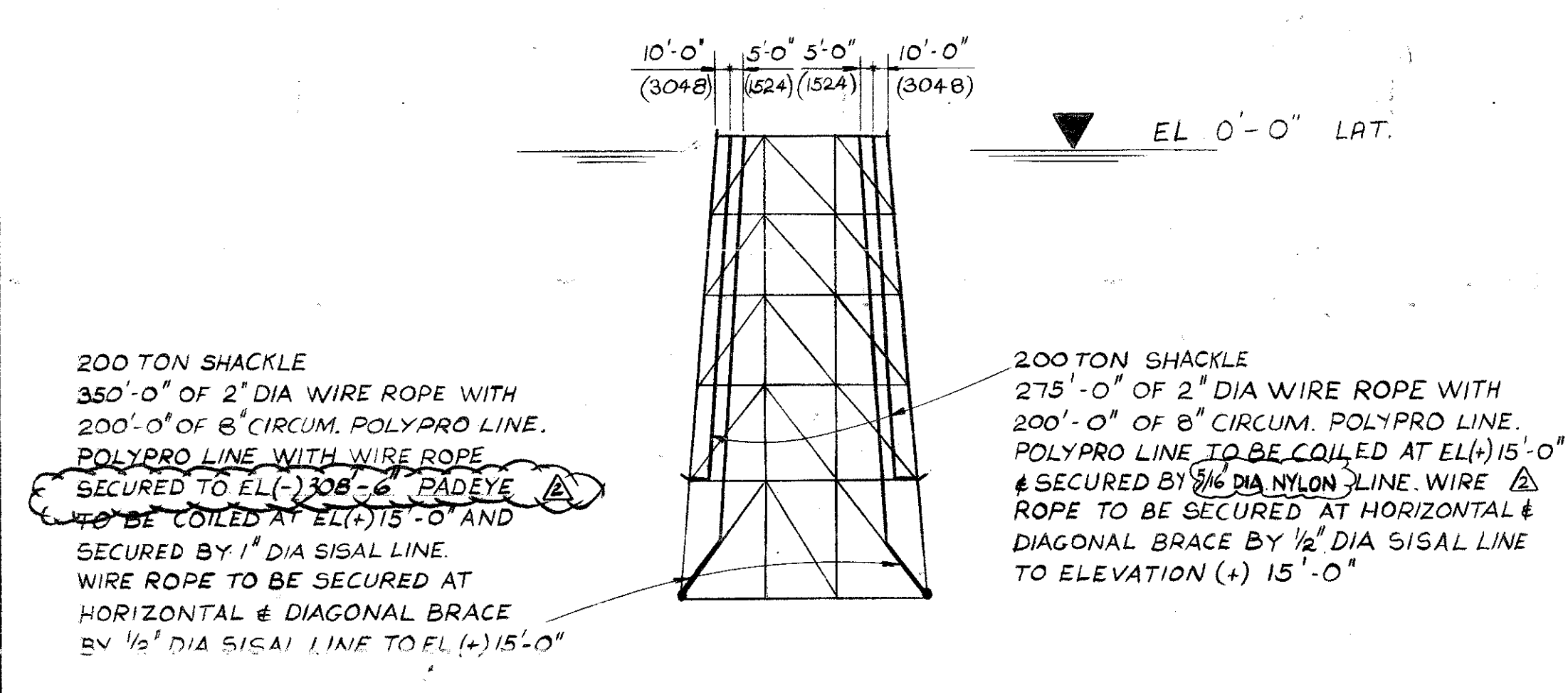
SECTION B-B
 AT EL (-) 308'-6" (94031)
 SCALE 1" = 1'-0"



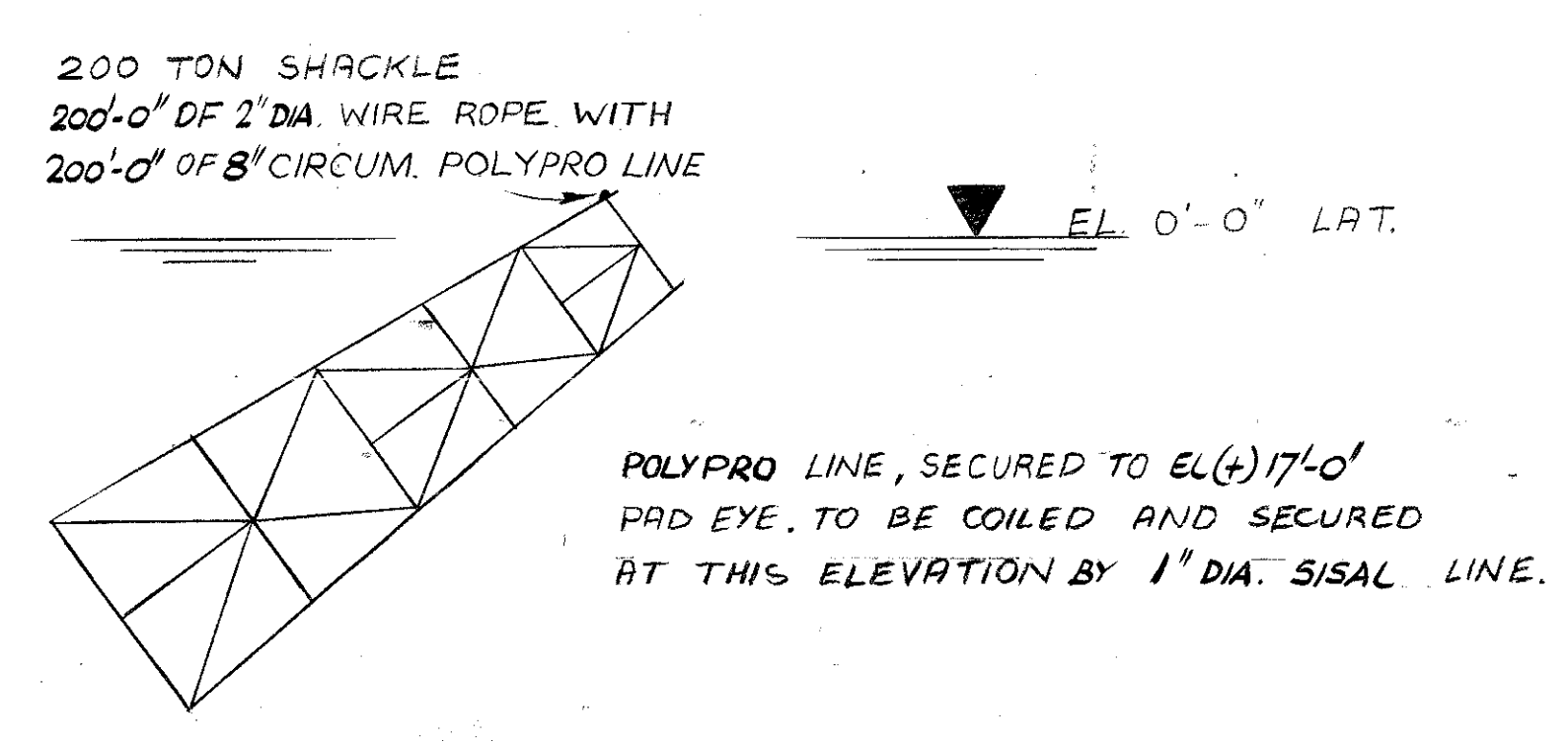
DETAIL 2
JKT HANDLING PADEYE DETAILS
 ON LEGS B2 & B3 @ EL (+) 17'-0" (5182) (2 REQD.)
 ON LEGS B1 & B4 @ EL (-) 308'-6" (94031) (2 REQD.)
 SCALE 1" = 1'-0"



SECTION B-B
 AT EL (+) 17'-0" (5182)
 SCALE 1" = 1'-0"



KEY ELEVATION
 FOR PADEYE DETS. - SEE DET. 1. & DET. 2
 COL. LINE B



KEY ELEVATION
 FOR PADEYE DETS. SEE DET. 2.

- NOTES**
- DIMENSIONS SHOWN IN BRACKETS ARE METRIC EQUIVALENTS IN FEET & INCHES AND FRACTIONS OF AN INCH TO THE NEAREST 1/16"
 - ALL MATERIAL THIS SH. TO BE NON STRUCTURAL MILD STEEL
 - ALL POLYPRO LINES TO BE MARKED ACCORDING TO ELEVATION
 - 2" DIA WIRE ROPE TO BE SECURED AT EL (+) 15'-0" WITH 1/2" WIRE AND 2.5 TON SHACKLE

REFERENCE DWGS.

elf Norge as
 DWG no. FF 931.210.067
 rev. 0 date 28 Feb 74

JKT. VERT. FRMG. } DWG. ELN 2020
 ON COL. LINES A & B } SHTS. 101 & 102

JKT VERT. FRMG. } DWG ELN 2020
 ON COL. LINES 2 & 3 } SHTS. 104 & 105.

28 JUL 2024
APPROVED
 FOR CONSTRUCTION

DESIGN	STRUCT	PIPING	ELEC	MK	BY	DATE	REVISIONS	DATE	APP.	DESIGN	STRUCT	PIPING	ELEC	MK	BY	DATE	REVISIONS	DATE	APP.

ELF-NORGE A/S NORWAY

24 WELL SELF CONTAINED

DRILLING PLATFORM No 1

NORTH SEA FRIGG FIELD WD 98 M

McDERMOTT - HUDSON

LONDON - ENGLAND

APPROVED: [Signature]
 DATE: 28 Feb 74

DESIGNED BY: J. CURRAN
 DRAWN BY: [Signature]
 SCALE: 1" = 1'-0"
 DATE: 20-FEB-74
 DWG. NO.: ELN 2020
 SHEET NO.: 167

PROJECT: DRILLING PLATFORM No 1
 INSTRUMENT: [Signature]
 CHECK: [Signature]