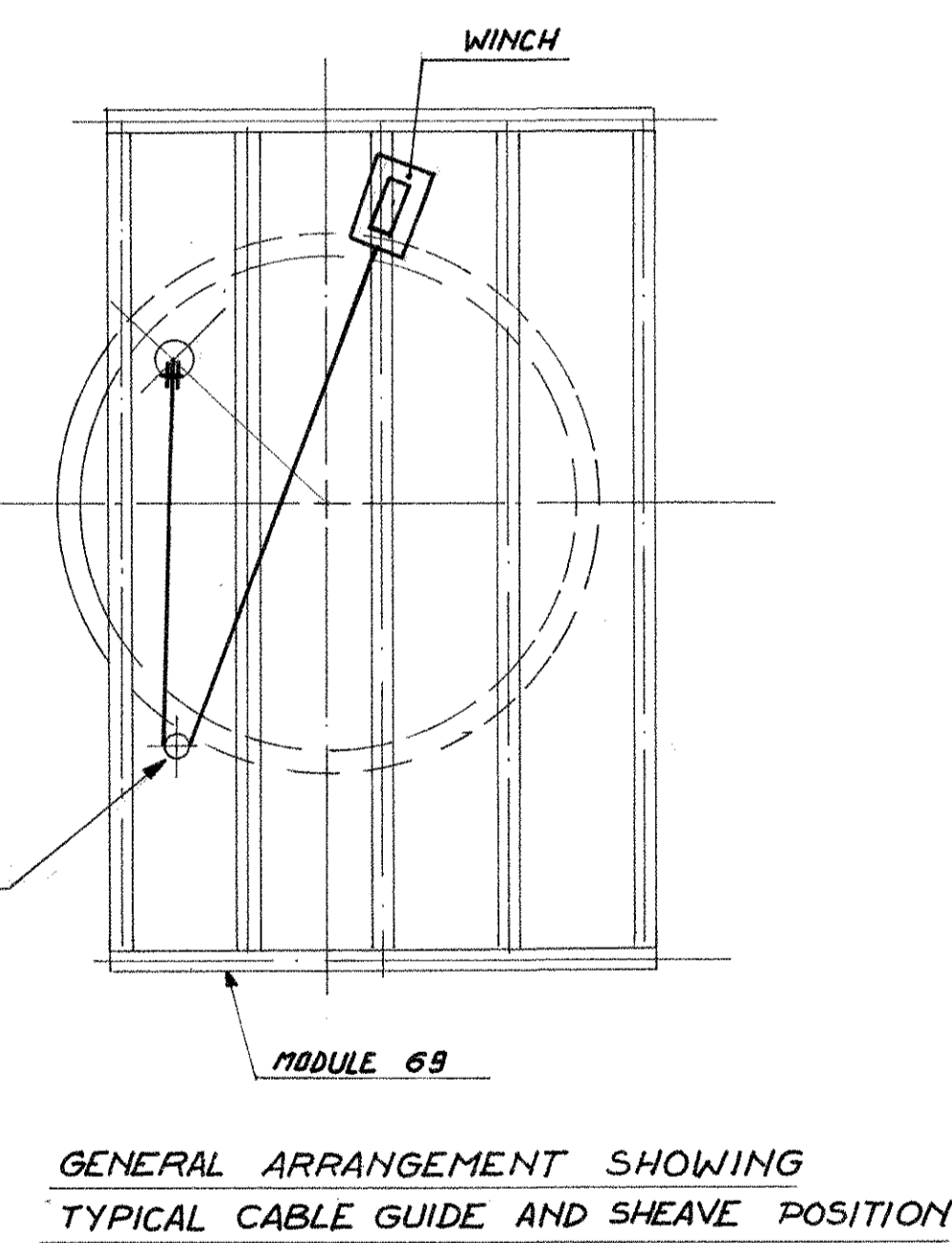
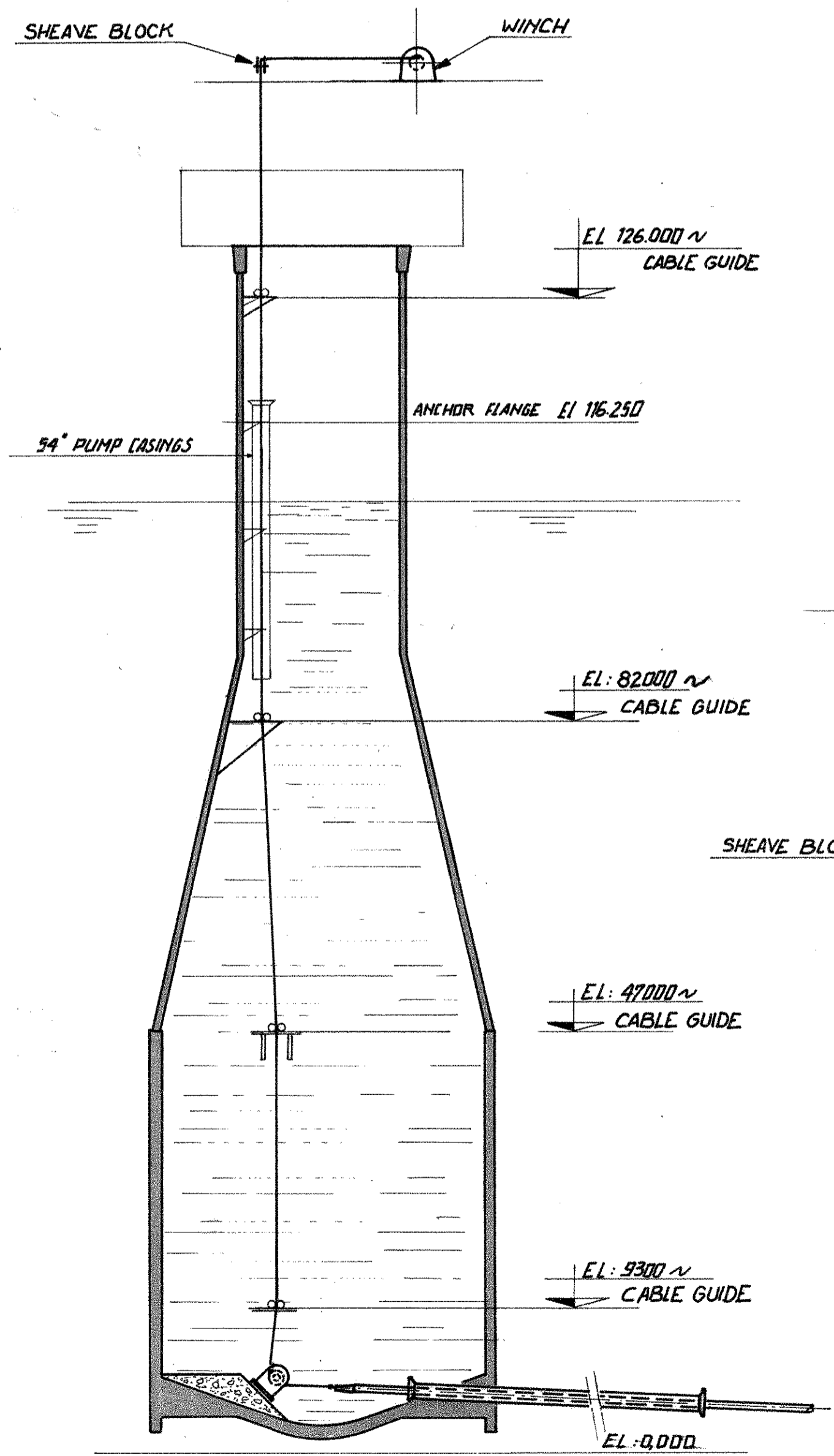
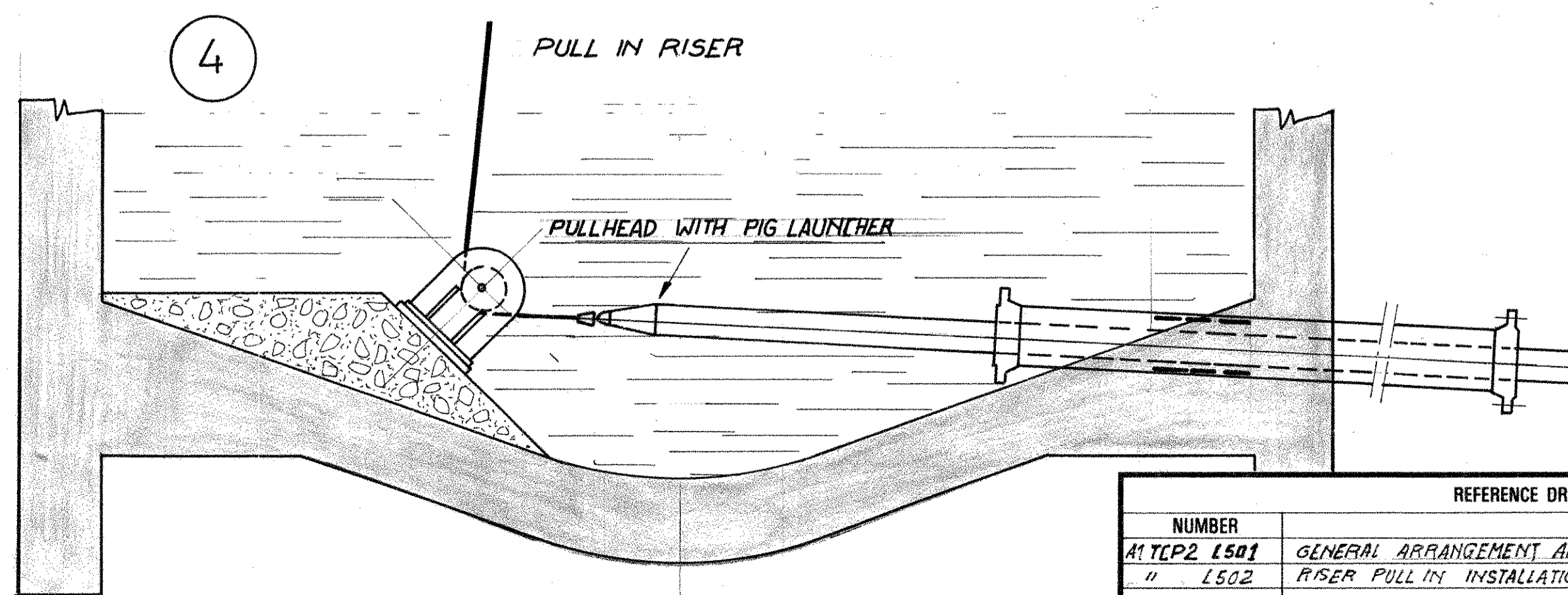
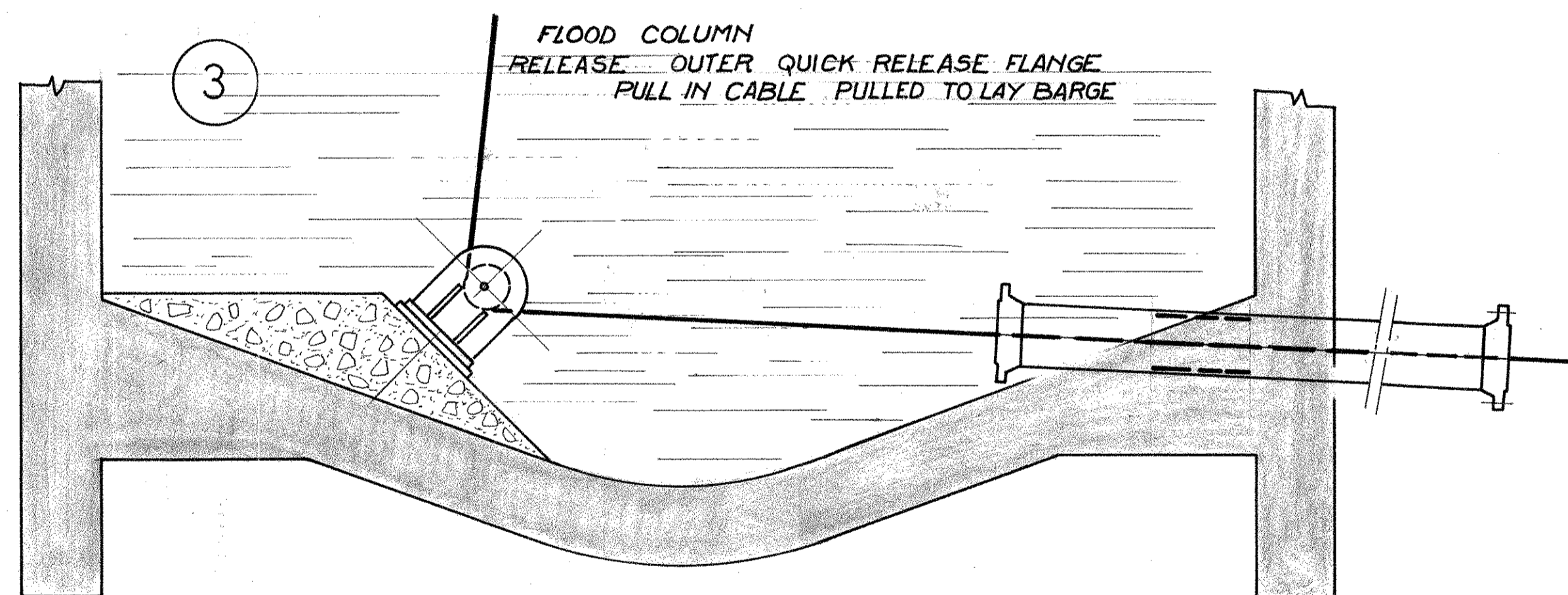
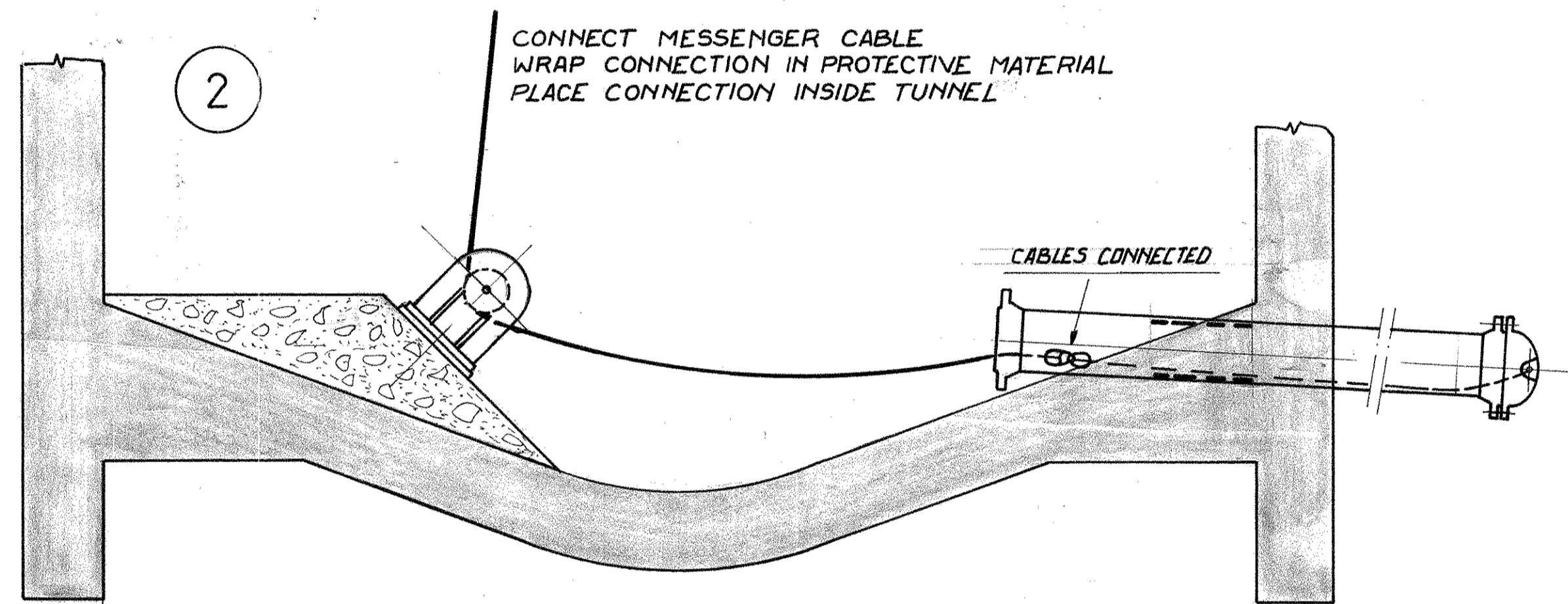
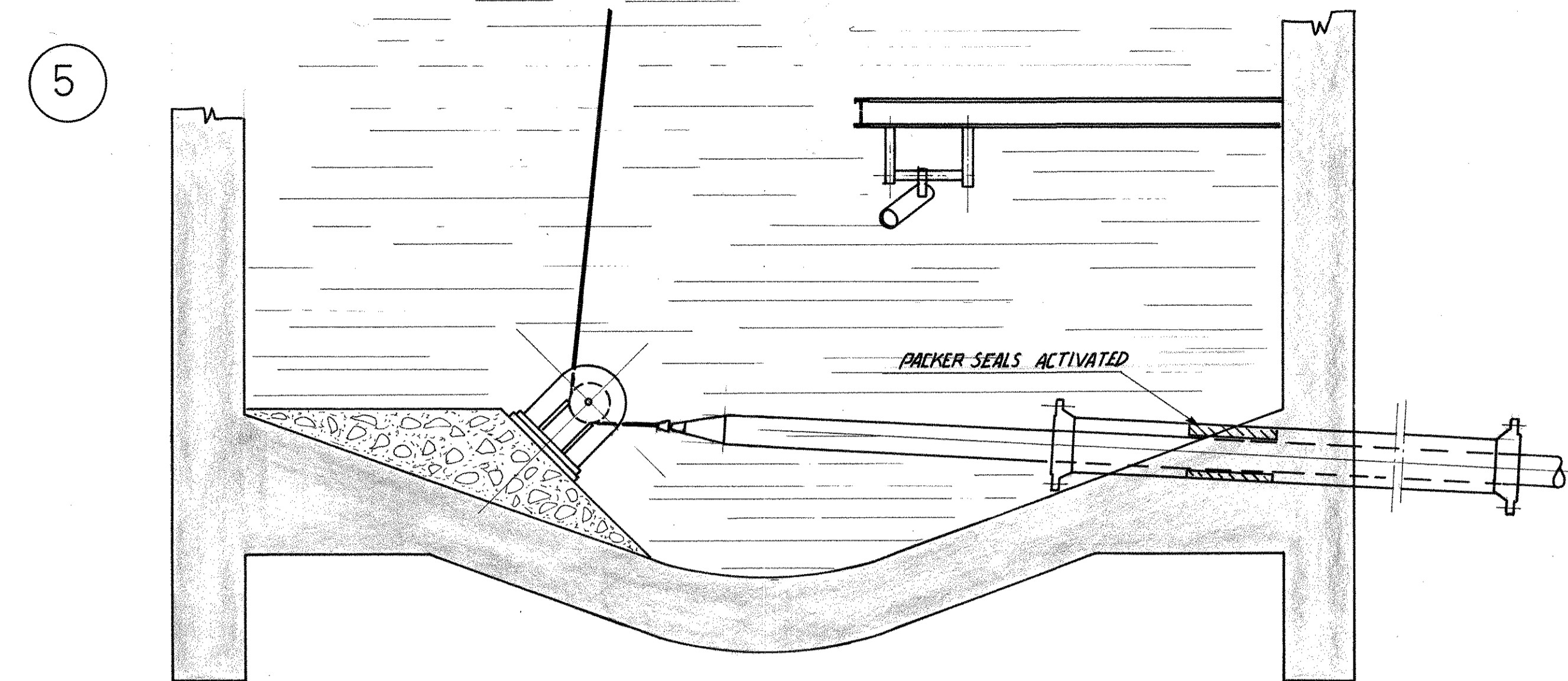
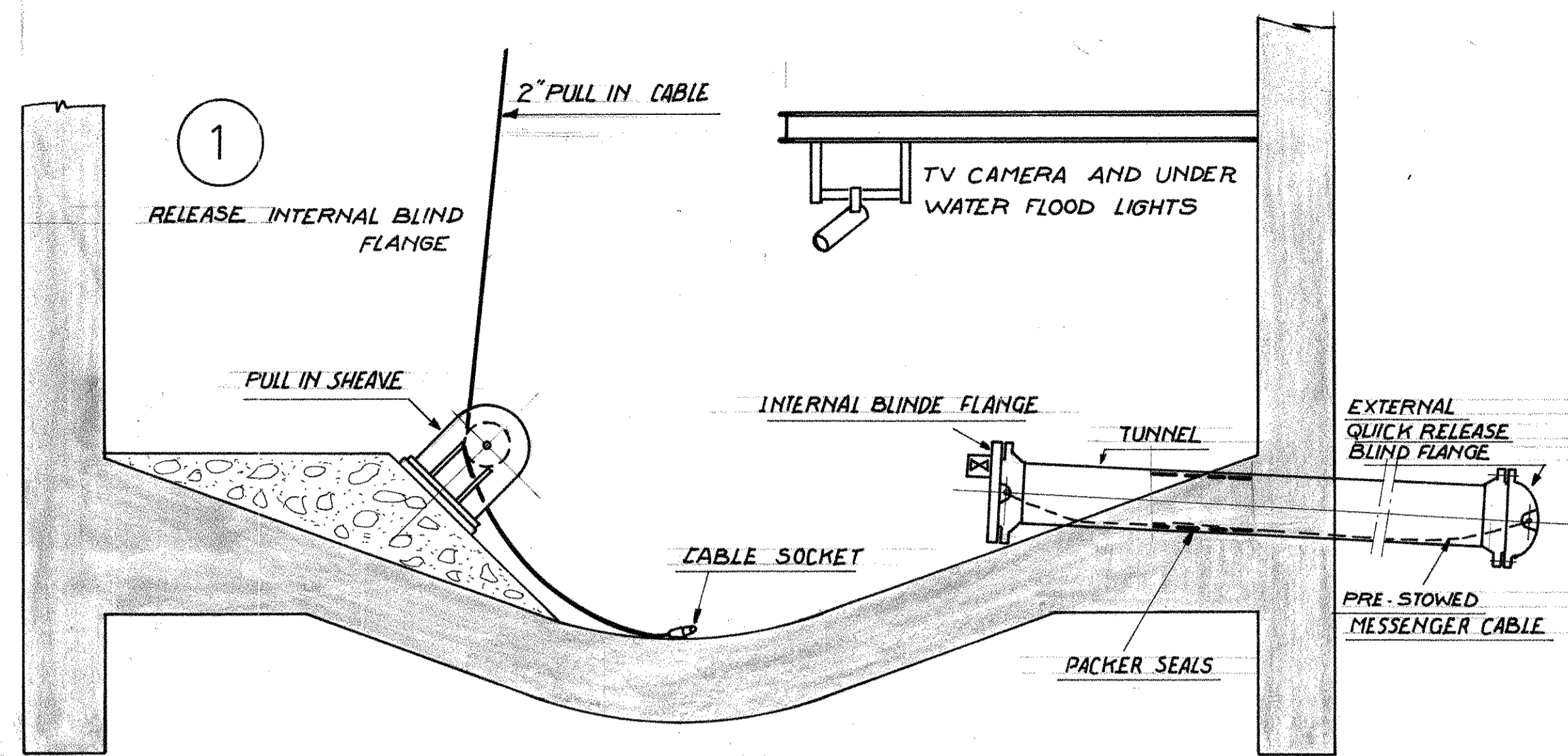


NOTES:

PULL-IN + RISER TIE-IN SEQUENCE CONTINUED ON
DWG. A1-TCP2-L504



NUMBER	TITLE	REV. NO.	REVISION	BY	DATE	CHKD
A1-TCP2 L501	GENERAL ARRANGEMENT AND INSTALLATION OF INTERNAL RISER.					
" L502	RISER PULL IN INSTALLATION SEQUENCE SHEET 2/2					

PHASE 2				TREATMENT PLATFORM TCP 2 PIPELINE PULL IN AND RISER TIE IN INSTALLATION SEQUENCE SHEET 1/2			
Brown & Root De France <i>Engineers. Constructors</i> PARIS, FRANCE				elf ELF . NORGE - A/S			
				FRIGG FIELD DEVELOPMENT PROJECT			
BY	DRAWN	CHECKED	CHECKED	APPROVED	SCALE	PROJECT No.	DRAWING NUMBER
DATE	JPA	K. Dyle		LS			REV.
9-9-76	9-9-76			20-10-76			A1-TCP2 L503 0