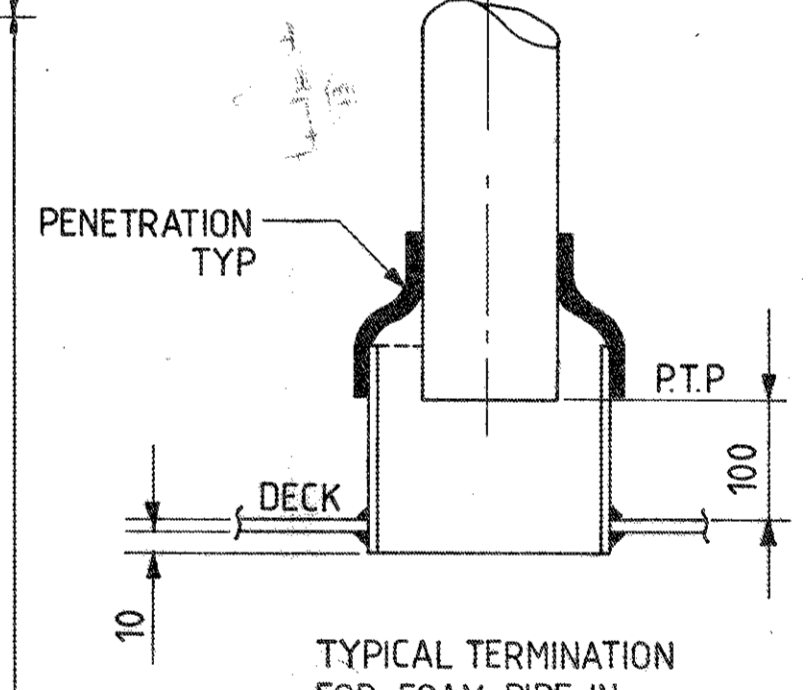
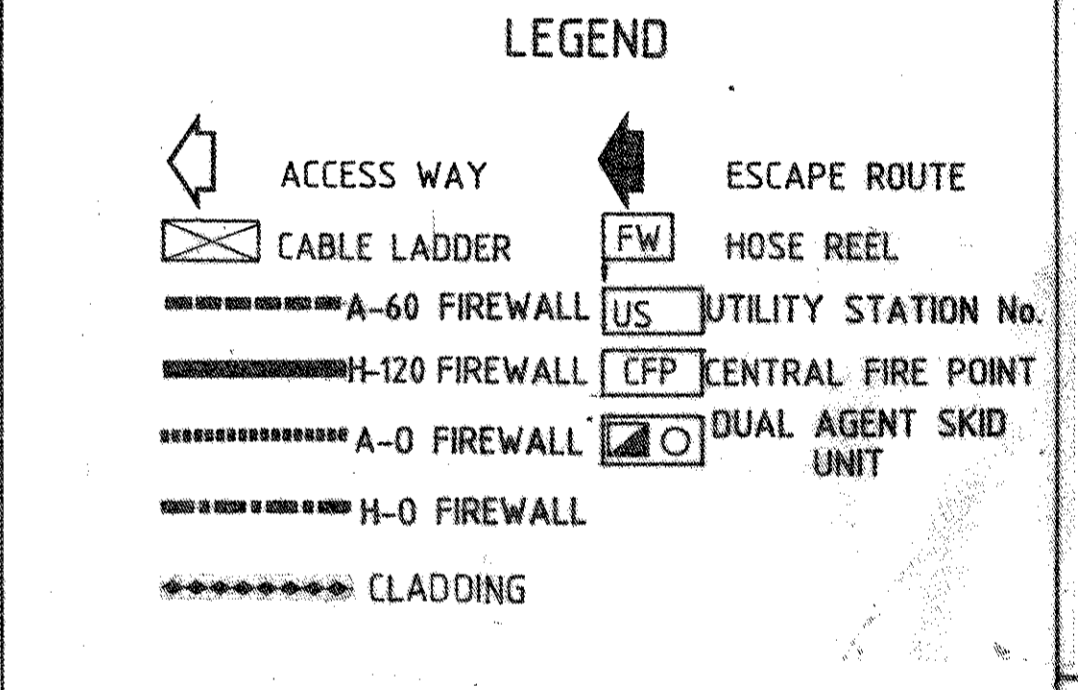
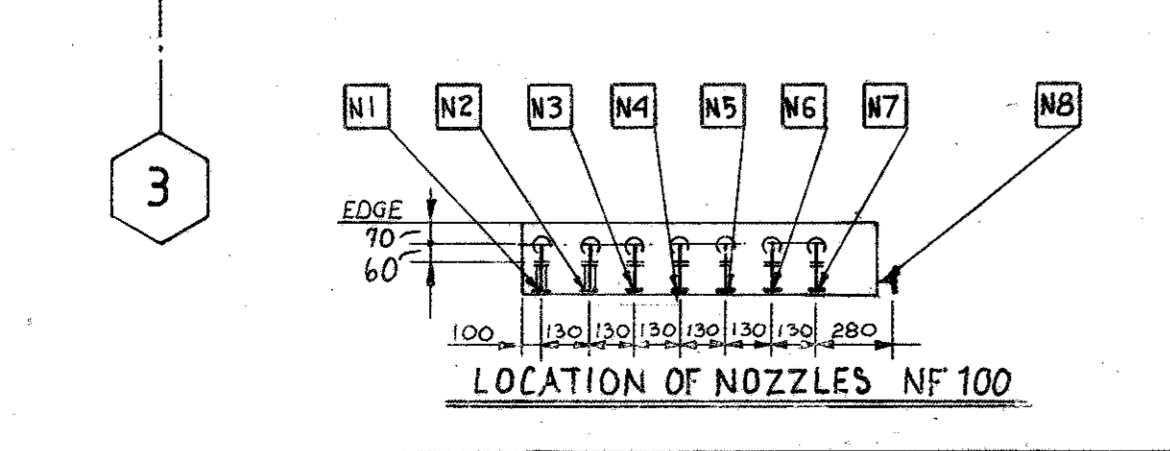


EQUIPMENT NOZZLE SCHEDULE						
EQUIP. No.	NOZZLE DESIGN	SIZE	RATING	FACING	EL TO FACE OR RAD	ORIENT'N FROM NORTH
IA-108	N1	3"	SCH40	BW	35169	270
IA-108	N2	6"	SCH40	BW	35169	90
IA-105	N1	1"	STD.	SAE	35300	0
IA-105	N2	1"	---	---	35300	0
IA-105	N3	1"	---	---	35300	0
IA-104	N1	1"	---	---	35400	180
IA-104	N2	1"	---	---	35179	180
IA-104	N3	1"	---	---	35300	0*
IA-103	N1	1"	---	---	35247	270
IA-103	N2	1"	---	---	35247	270
IA-103	N3	1"	---	---	35300	0
IA-102	N1	1"	---	---	35247	180
IA-102	N2	1"	---	---	35247	180
IA-102	N3	1"	---	---	35300	270
IA-101	N1	1"	---	---	35272	180
IA-101	N2	1"	---	---	35272	180
IA-101	N3	1"	---	---	35200	DN
IA-100	N1	1"	---	---	35272	180
IA-100	N2	1"	---	---	35272	180
IA-100	N3	1"	---	---	35200	270
IA-100	N4	3/4"	---	---	36680	---
IA-100	N5	3/4"	---	---	36680	---
IA-100	N6	3/4"	---	---	36680	---
IA-100	N7	3/4"	---	---	36680	270
IA-100	N8	1 1/2"	---	---	36000	0
FS 004	N1	4"	150#	RF	36293	DN
GA100 A&B	N1	4"	10 BAR	DN	32930	225
GA100 A&B	N2	3"	10 BAR	DN	32930	225



FF-83-00-11-5007	PAID SEA WATER
FF-83-00-23-1570	PAID HYDR.AGG.
FF-83-20-00-1521	PIPE SUPP LOC PLAN
N°161ST.0013	UNIFOR 1
FF-83-00-19-5035	P&ID L.P.MUD
FF-83-20-00-1504	PLOT PLAN
REF.DWG. NO.	TITLE



TOS. MUD TANKS 35.400

CONT. ON DWG. FF-83-20-00-1507

NOTE-1  
LINE TO BE BLIND OFF  
NOTE:  
LOW POINT TO BE DRAINED.  
HIGH POINT TO BE VENTED.

5	NO 11	REVISION	DATE	BY	CHKD
4	OCT88	LINE 3002-65 EXTENDED	10/6		
3	26/88	AS BUILT			
2	9/88	REISSUED FOR CONSTRUCTION	8/28		
1	7/88	REISSUED FOR CONSTRUCTION	6/5		
0	6/87	FOR CONSTRUCTION			
C	5/87	ISSUED FOR APPROVAL			
B	1/86	ISSUED FOR COMMENTS			
A	7/85	FOR R. IDC			
REV.	NO.	DESCRIPTION	BY	CHKD.	APP.

**Dolphin as**

elf aquitaine norge as p.o. box 168 - 4001 Stavanger

System PIPING

**PIPING GEN.ARR.**

**FOREX NEPTUN**

**MUD/CEMENT MODULE**

FRIGG FIELD

83-20-00-1506

Scale: 1:25

Drawn: [Signature]

Checked: [Signature]

Approved: [Signature]

**nfc** norwegian rio consultants

BANGSVEIEN 28 - NO-0455 STAVANGER 1 - NORWAY

PHONE: 0047 41 21 11 00 TELE: 0047 41 21 11 01