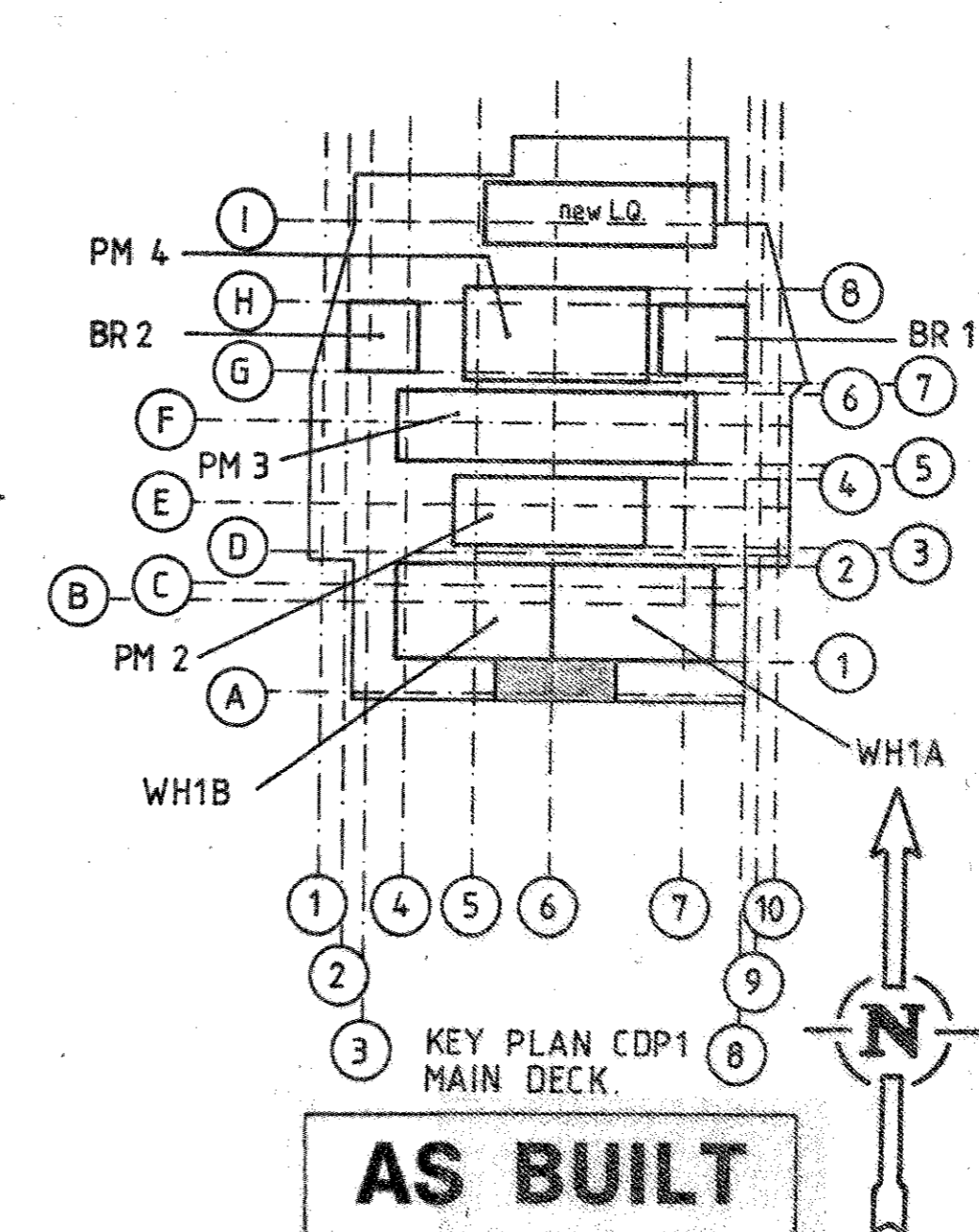
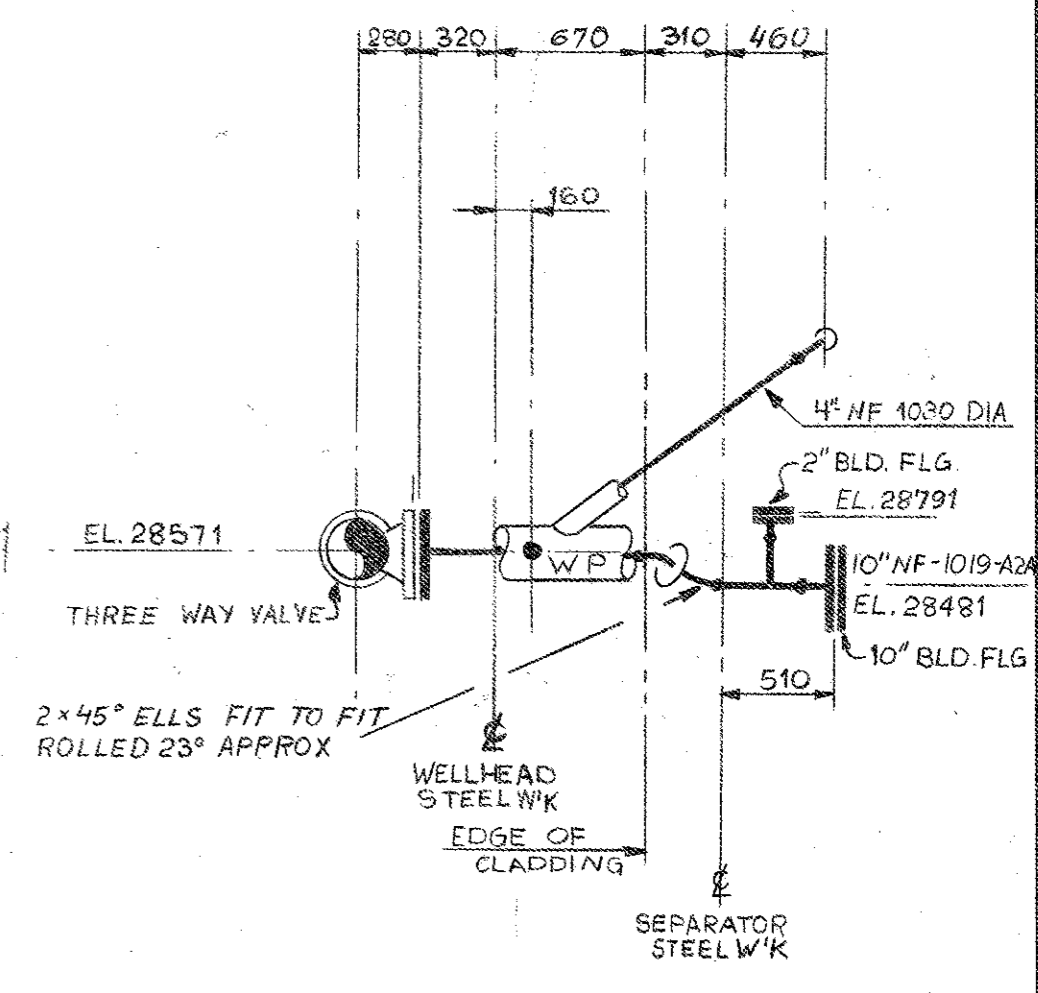
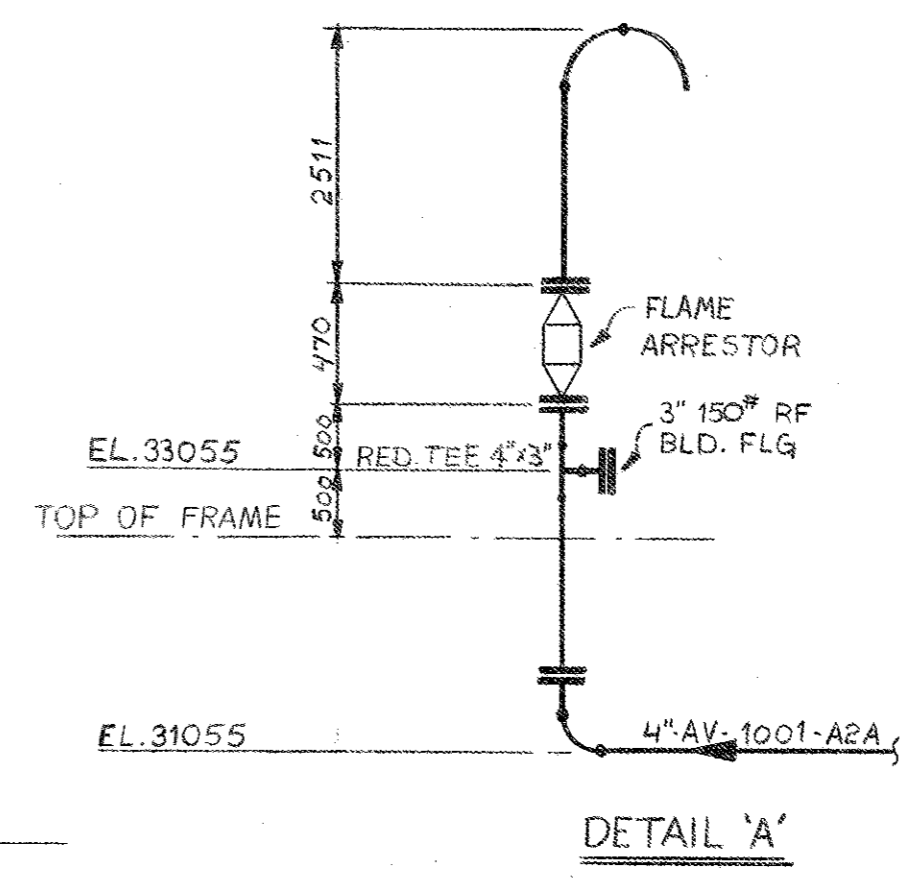
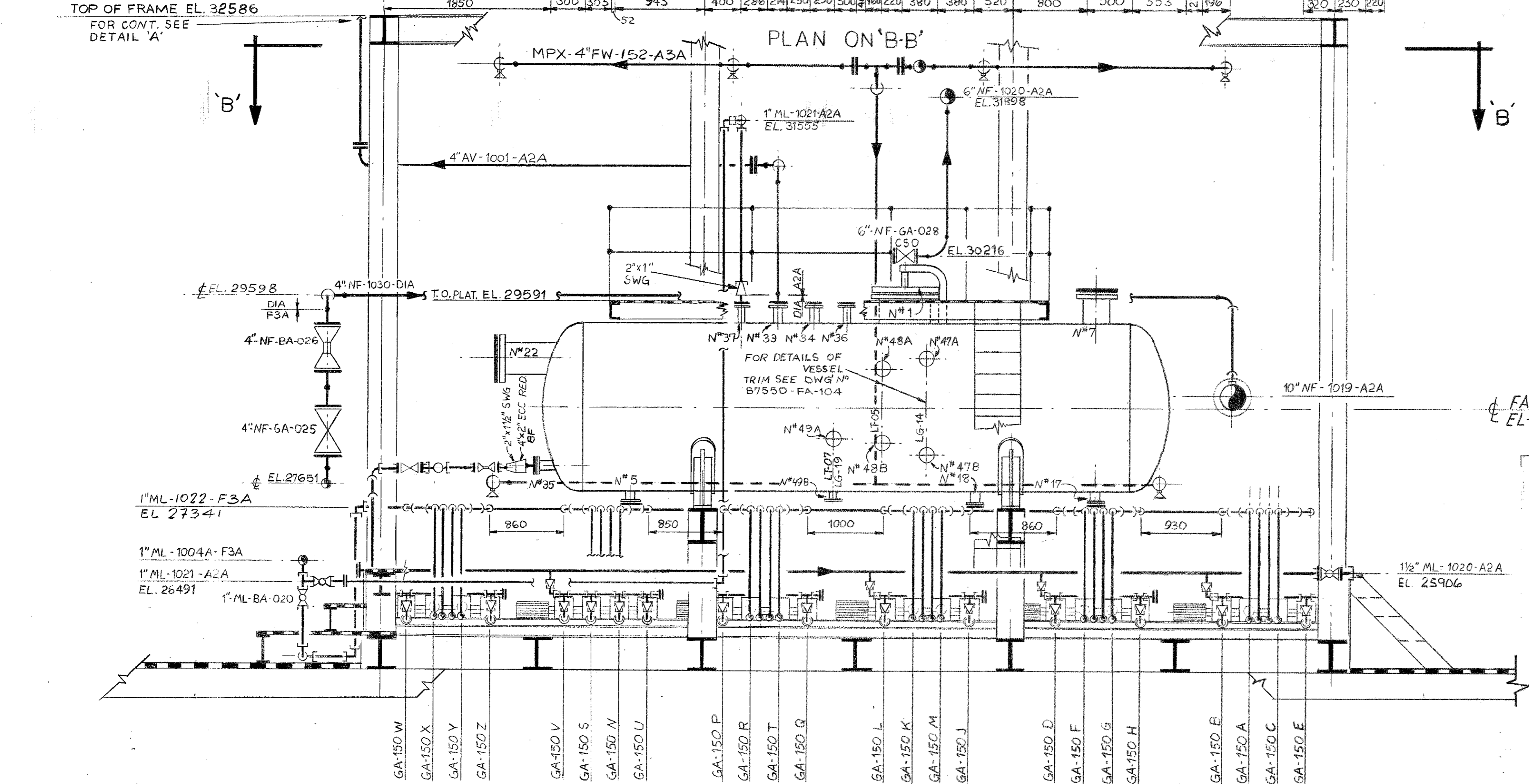
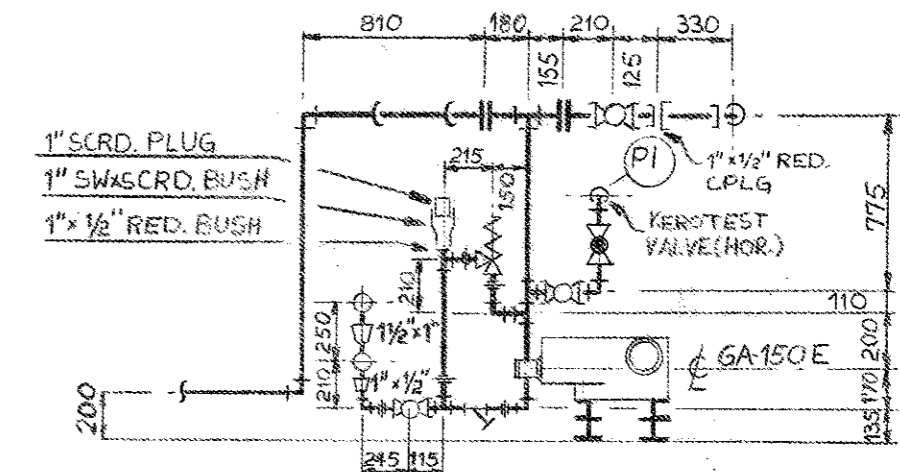
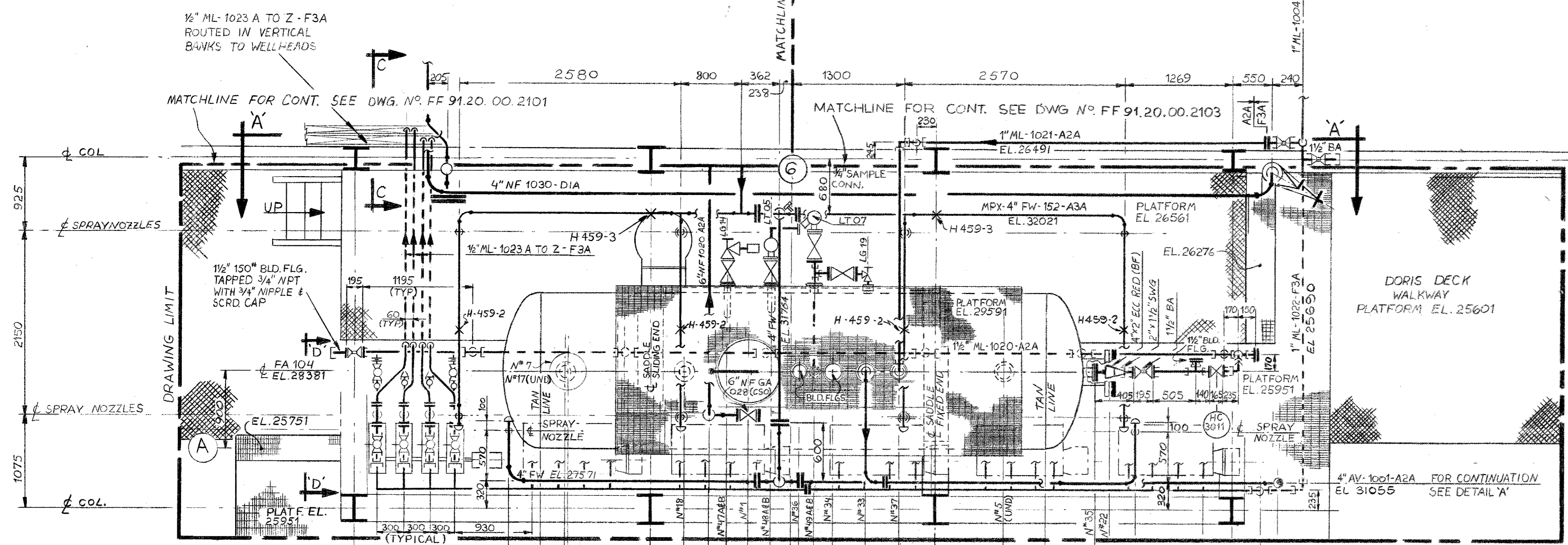


EQUIP. No.	NOZZLE No.	SIZE AND RATING	TO FACE	ELEVATION
FA-104	1	18" 600* RTJ.	---	FF EL 29658
	5	4"	---	BLINDED
	7	10"	---	BLINDED
	35	4"	---	EL 27825
	17	3"	---	BLINDED
	18	3"	---	BLINDED
	22	10" 4500*	---	BLINDED
	33	4"	---	BLINDED
	34	4"	---	FF EL 29555
	36	2"	---	BLINDED
	37	2"	---	EL 29555
	47A	2"	1000	EL 28975
	47B	2"	1000	EL 27935
	48A	2"	1000	EL 28861
	48B	2"	1000	EL 28048
	49A	2"	1000	EL 28111
	49B	2"	---	FF EL 27460



NOTE: FA 104 ORIGINALLY USED AS START-UP SEPARATOR

16684	REDRAWN TO AS BUILT STATUS	KE	21
rev.	date	DESCRIPTION	by
THIS DRAWING REPLACES BROWN & ROOT DWG NO. CDP1-PP-113			
		p.o. box 168 - 4001 Stavanger	
Installation System			
CDP 1			
PIPING PLAN			
METHANOL STORAGE			
TANK			
Job no.			
Scale	1:33 1/3		
Drwg. no.	FF 91.20.04.2100	Rev.	0