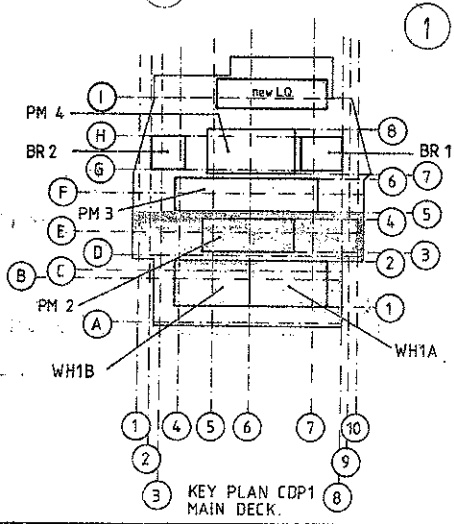
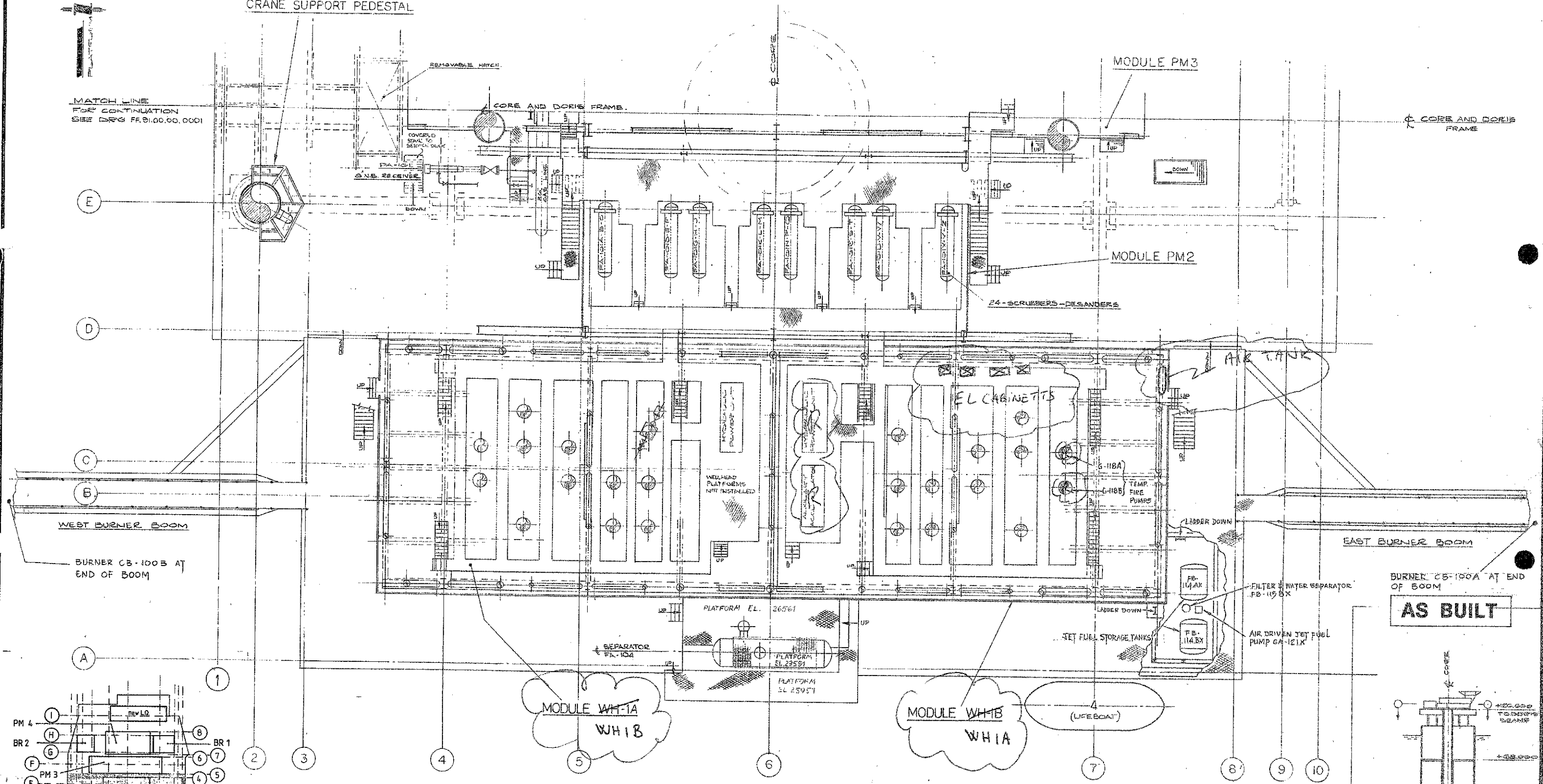


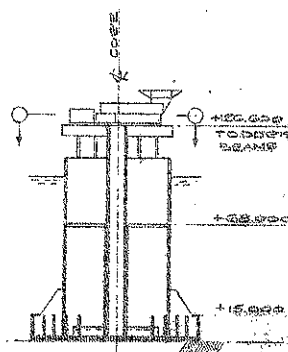
BUCYRUS-ERIE MK60
CRANE SUPPORT PEDESTAL

MATCH LINE
FOR CONTINUATION
SEE DRG FF 91.00.00.0001



NOTE: R = REMOVED

NOTE:
THIS DRAWING REPLACES BROWN & ROOT
DRAWING NO. LCP1 - PP-102



REVISION	BY	DATE
1		
2		
3		
4		
5		
6		
7		
8		
9		
10		

REVISION	BY	DATE
1		
2		
3		
4		
5		
6		
7		
8		
9		
10		

Brown & Root, (U.K.) Ltd.

Engineers-Constructors
LONDON, ENGLAND.

DRAWN BY:
G.E.B.

DATE 21.2.75

CHK'D BY:
S.W.

DATE 12.4.75

SCALE 1:100

APPROVED

APPROVED

TITLE OF DRAWING: PLOT PLAN (SOUTH)

ELEVATION +130.000

NAME OF OWNER: ELF NORGE A/S

LOCATION OF PROJECT: FRIGG FIELD

NO.	DATE	DESCRIPTION
1		AS BUILT INFO ADDED
2		AS BUILT INFORMATION ADDED DNG NO. CAUSED BY...

FF 91.00.00.0003