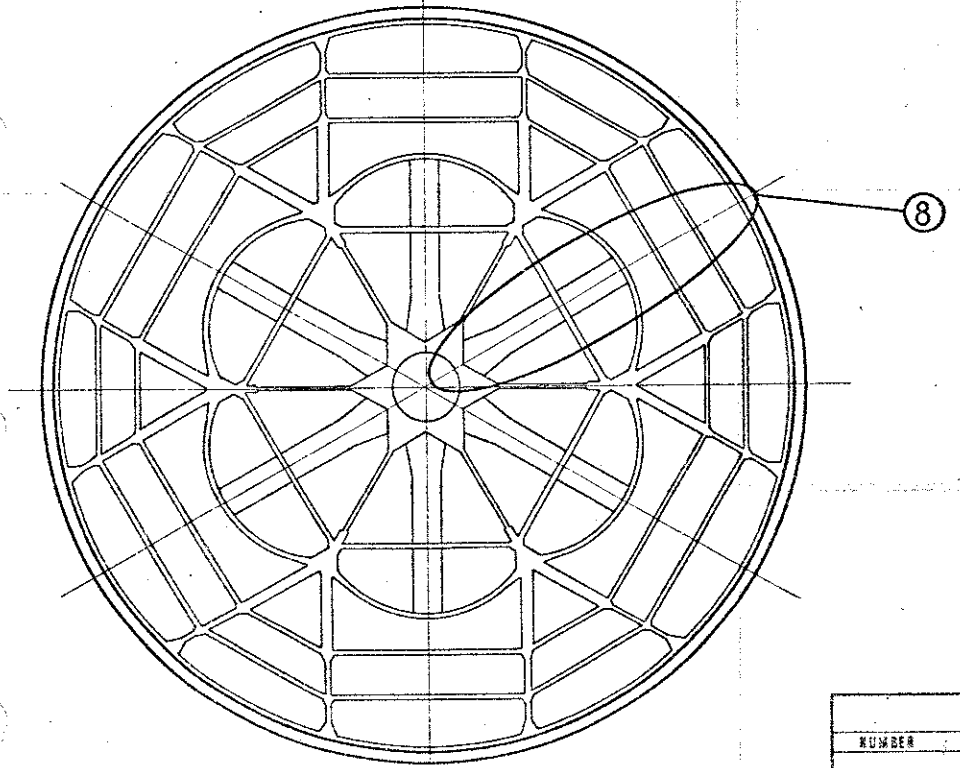


All these position are not exact.
They are for information only



	UTILIZATION	DRAWING OF DISPOSITION	DRAWING OF EXECUTION
1	System of Ballasting	Al.MP.M. 1049 Al.MP.M. 1050 Al.MP.M. 1060	Al.MP.M. 1048
2	Accesses from deck to boat landing	Al.MP.M. 1161 Al.MP.M. 1162 Al.MP.M. 1163 Al.MP.M. 1164 Al.MP.M. 1165	Al.MP.M. 1166
3	Buzzichelli	Al.MP.QM. 5071 Al.MP.QM. 5050	Al.MP.QM. 5071 Al.MP.QM. 5050
4	Boat landing, bumper, pumps	Al.MP.M. 1034	Al.MP.M. 1035
5	East firewater pump casing	Al.MP.M. 1060	Al.MP.M. 1060
6	Deepwell pump casing	Al.MP.M. 1059	Al.MP.M. 1059
7	Monorail B & R	Al.MP.M. 1181	Al.MP.M. 1181
8	Pipe passage in the raft	Al.MP.QM. 5005. Al.MP.QM. 5021. Al.MP.QM. 5022. Al.MP.QM. 5023. Al.MP.QM. 5025. Al.MP.QM. 5026. Al.MP.QM. 5006.	Al.MP.QM. 5007. Al.MP.QM. 5025 Al.MP.QM. 5023.
9	Guides frames	Al.MP.QM. 5051.	Al.MP.QM. 5051
10	Discharge ballasting	Al.MP.QM. 5052	Al.MP.QM. 5052
11	Guides frames (location on the hole)	Al.MP.QM. 5057	Al.MP.QM. 5057
12	Guides pipe pumps	Al.MP.QC. 1003	Al.MP.QC. 1003

THE INFORMATION CONTAINED IN THIS DOCUMENT MUST BE CONSIDERED AS AN INDUSTRIAL SECRET AND THE PROPERTY OF COMPANY OF NVALE DORIS IF CANNOT BE COMMUNICATED TO ANY THIRD PERSON OR ANYONE ACT DIRECTLY OR INDIRECTLY WITHOUT THE FORMAL AGREEMENT OF THE MANAGING DIRECTOR OF THIS COMPANY. THE HOLDER OF THE DOCUMENT WILL BE HELD RESPONSIBLE FOR ALL DEVIATIONS FROM THIS STIPULATION.

NUMBER	REFERENCE DRAWINGS	REV NO	REVISION	BY	DATE/CKD	C. G DORIS		TOTAL OIL MARINE LIMITED		
		1	FOR APPROVAL	N.C.H.S.		John Howard	Frigg field to Scatlens pile line Intermediate support platform			
						RECAPITULATION OF THE BASE PLATES IN THE PLATFORM				
						660_01_299				
						BY DATE	CHECKED	CHECKED	APPROVED	SCALE
						N.C.				PROJECT N°
						14. 4. 1975				DRAW NO NUMBER
										Al.MP.M. 1089 1