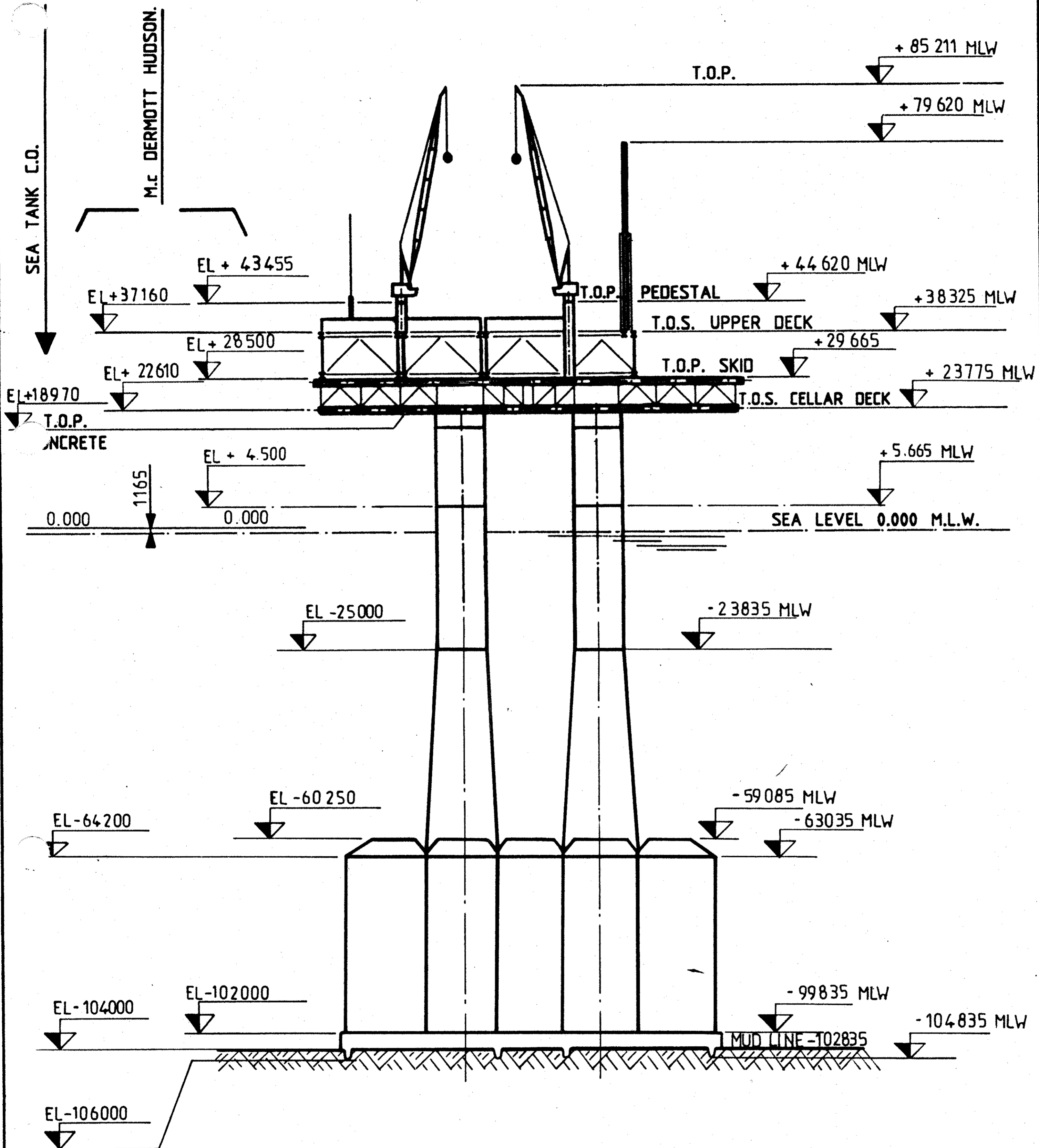



CONSTRUCTION LEVELS

MLW



0 11/84		First issue	PJ.	elf aquitaine norge a/s P.O. Box 168 4001 Stavanger	 FRIGG FIELD	Installation T.P.1	System
Rev.	Date	DESCRIPTION	by app.			Job no.	RELATIONS M.L.W. VS. CONSTRUCTION LEVELS
Contractor TEMEX				Drwg no. FF 95. 36. 00. 6541	Rev.	Sheet 1/2	