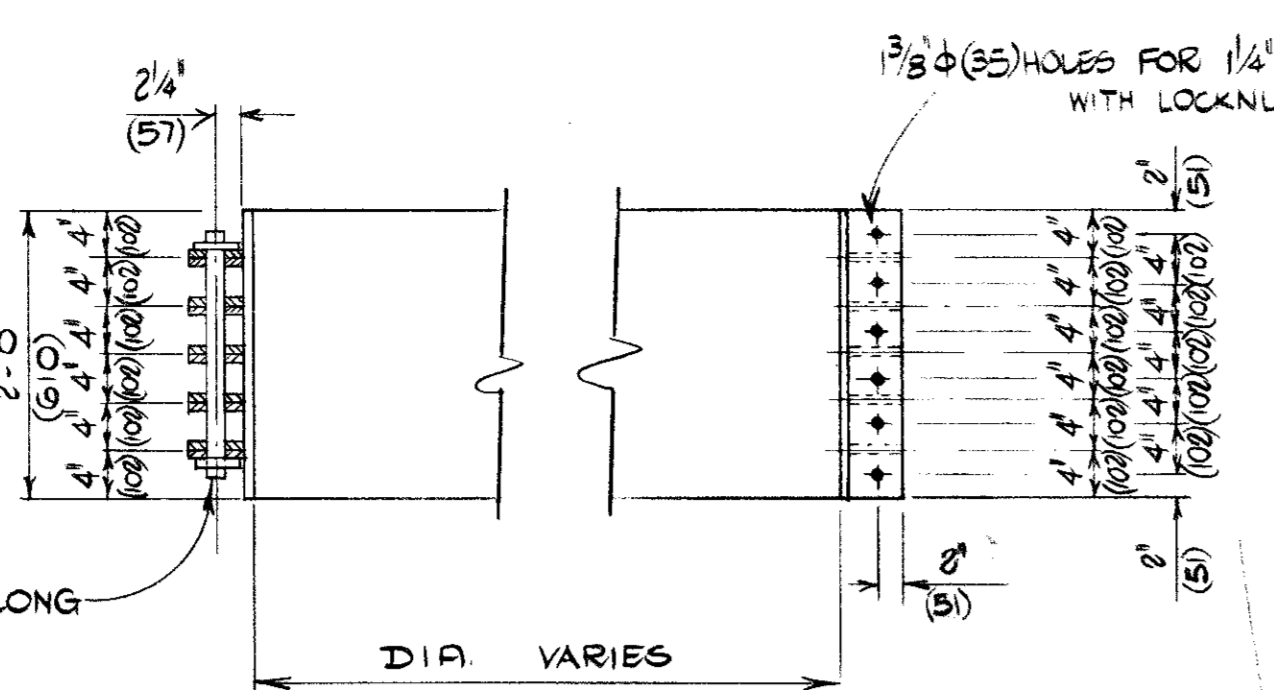
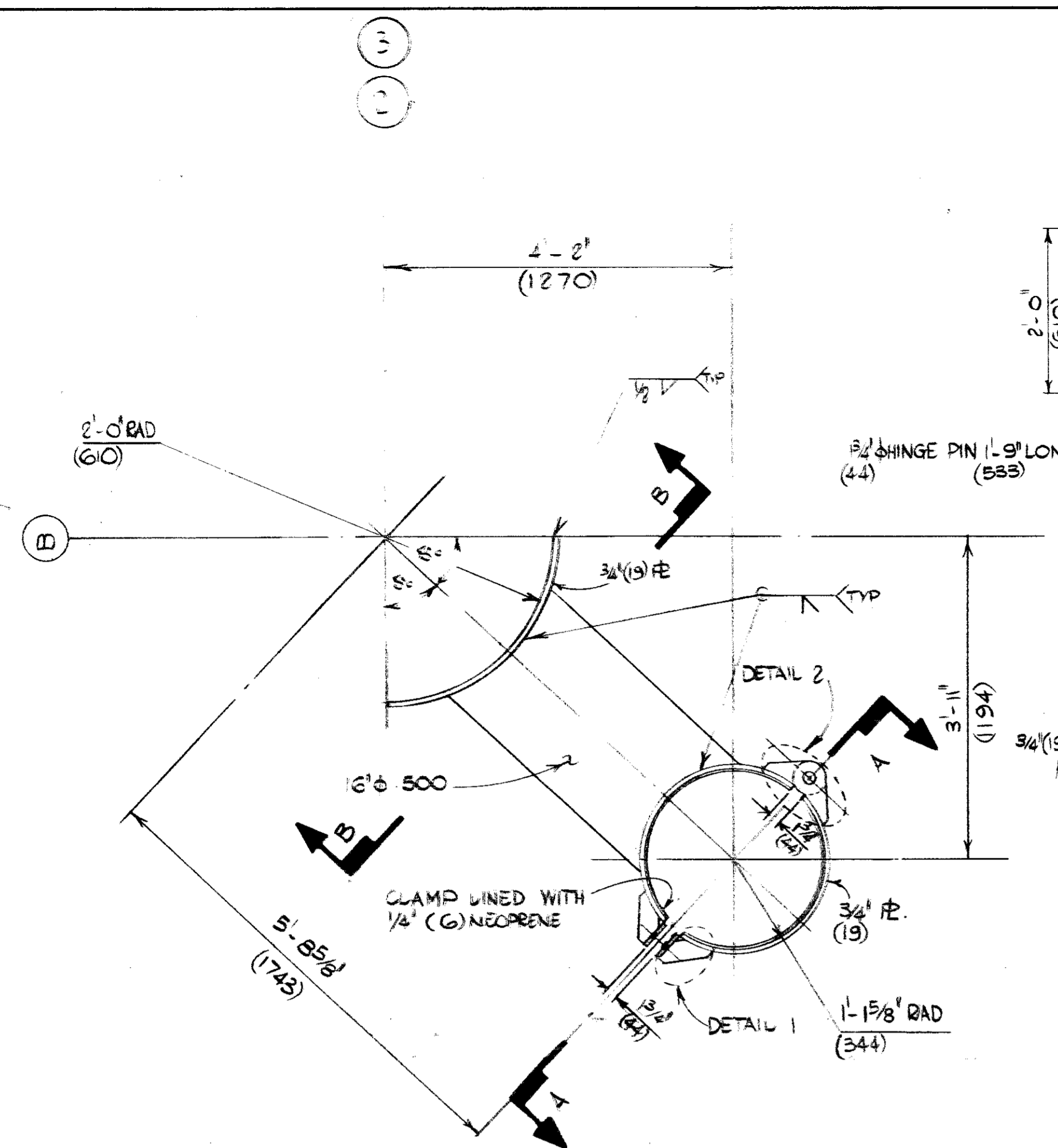
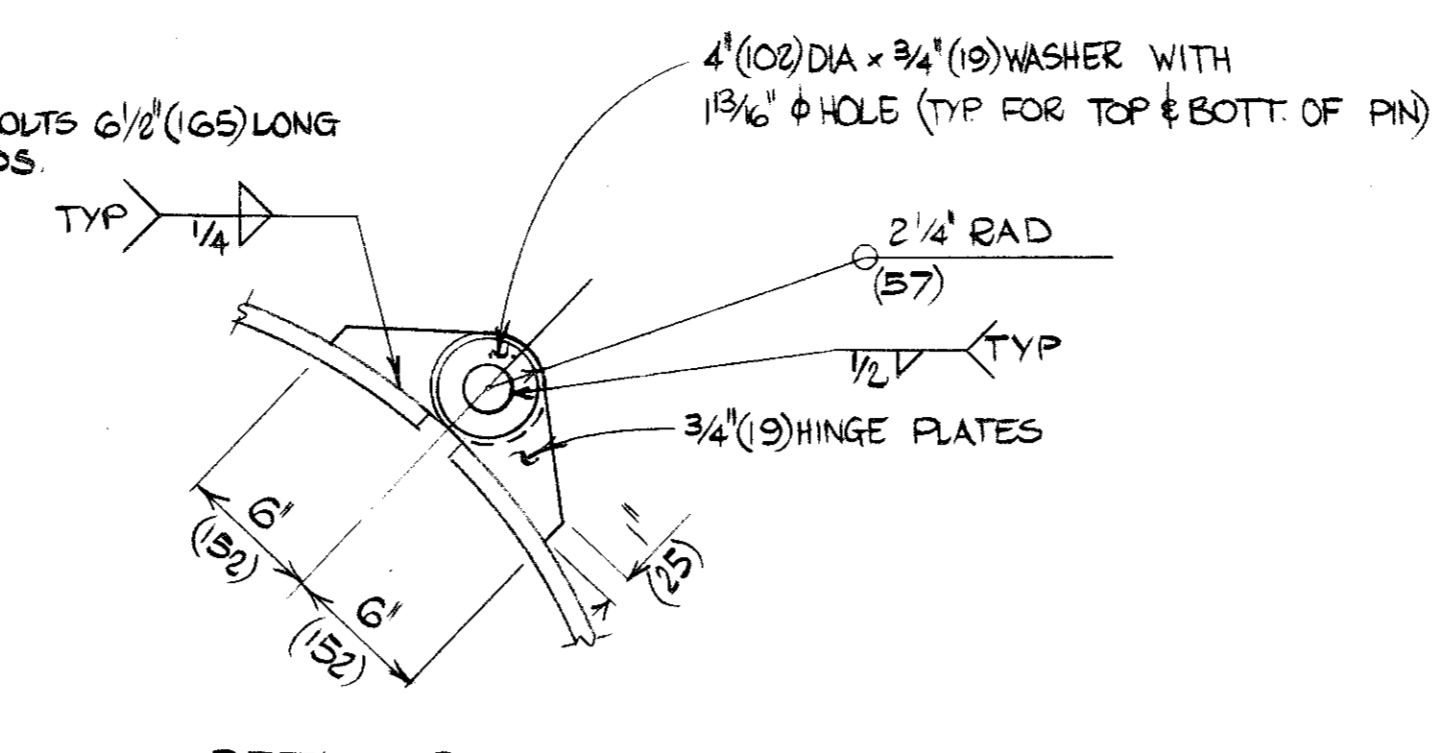


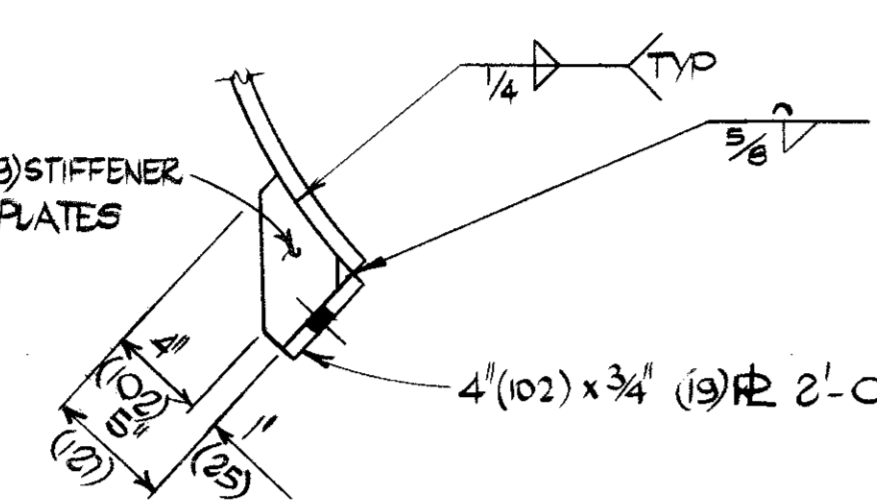
NOTES
 1. ALL DIMENSIONS IN BRACKETS ARE METRIC EQUIVALENTS IN MILLIMETERS
 2. ALL MATERIAL ON THIS SHEET TO BE NON-STRUCTURAL MILD STEEL.
 3. ALL RISER CLAMPS TO BE FABRICATOR INSTALLED.
 4. FOR GENERAL NOTES SEE SH. 1



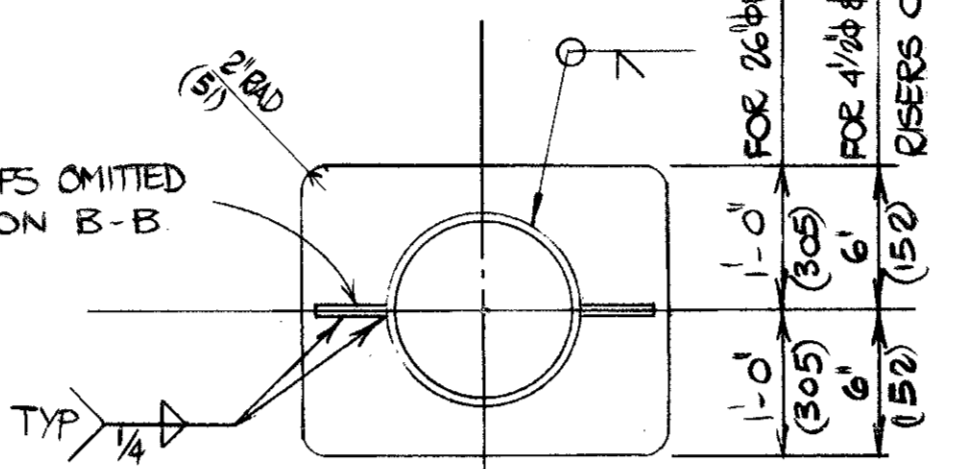
SECTION A-A
SCALE: 3/4" : 1'-0"



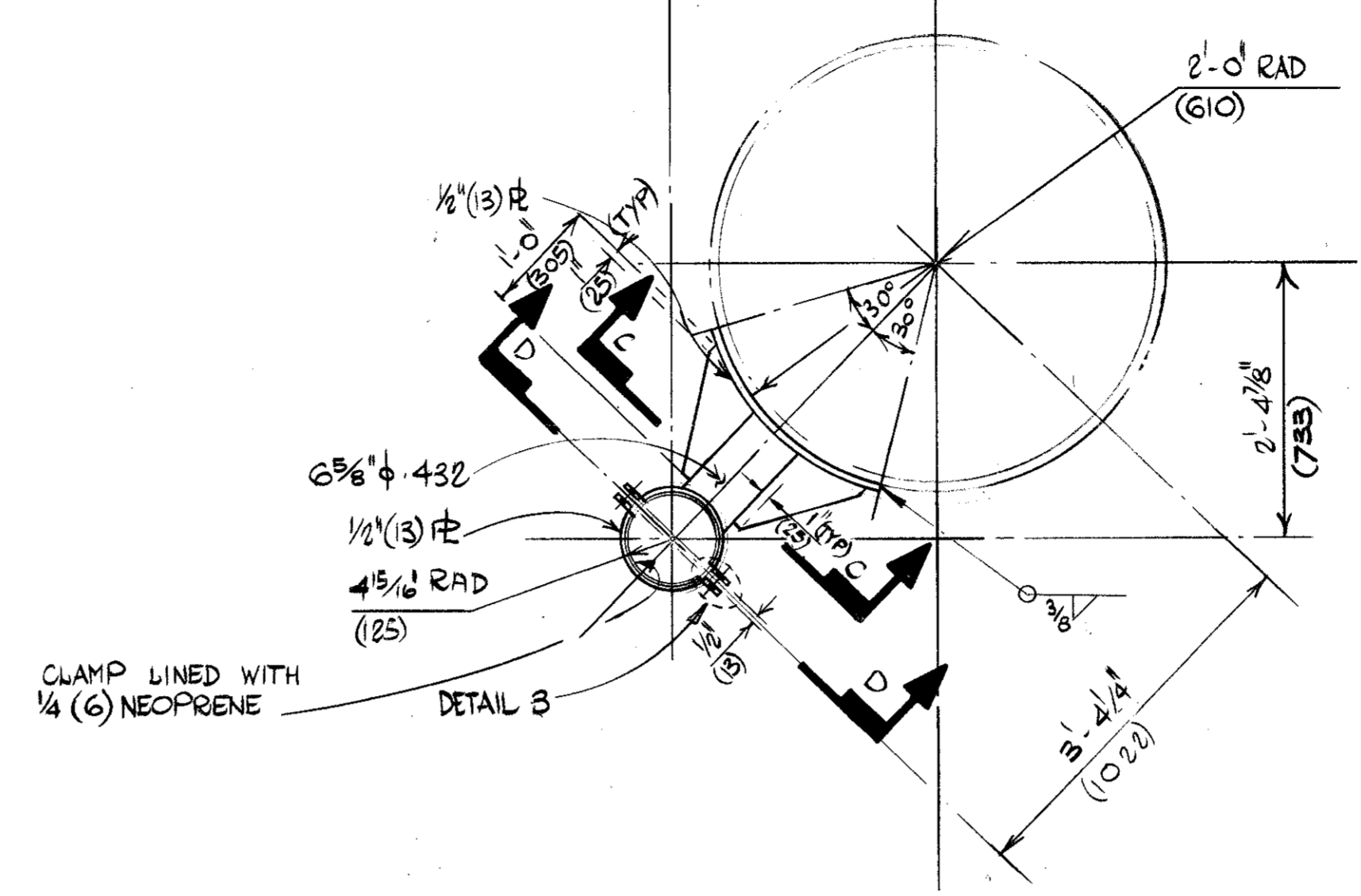
DETAIL 2
SCALE: 1/2" : 1'-0"



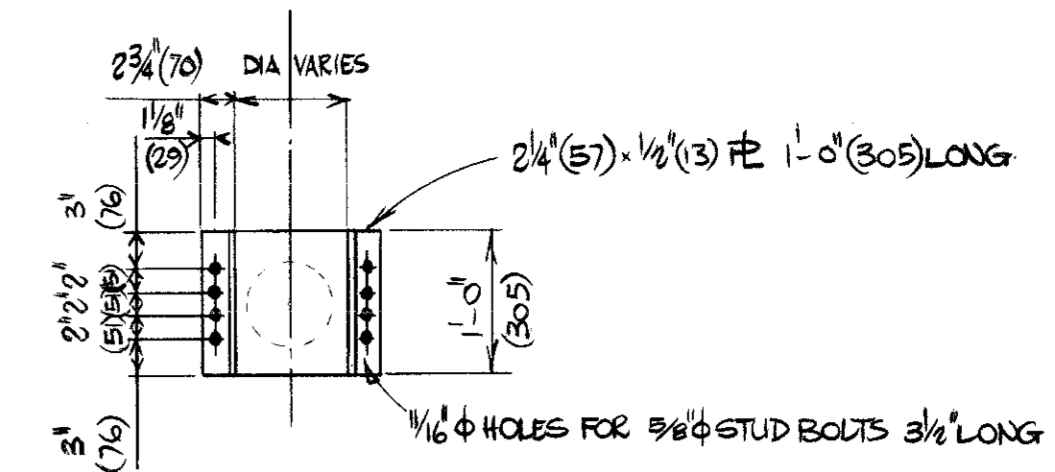
DETAIL 1
SCALE: 1/4" : 1'-0"



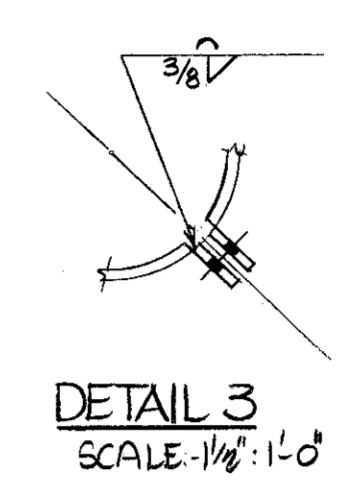
SECTION C-C AS DRAWN
SECTION B-B AS NOTED



DETAIL 166-5. FOR 8 5/8" RISER
SCALE: 3/4" : 1'-0" (4 REQD AS DRAWN)

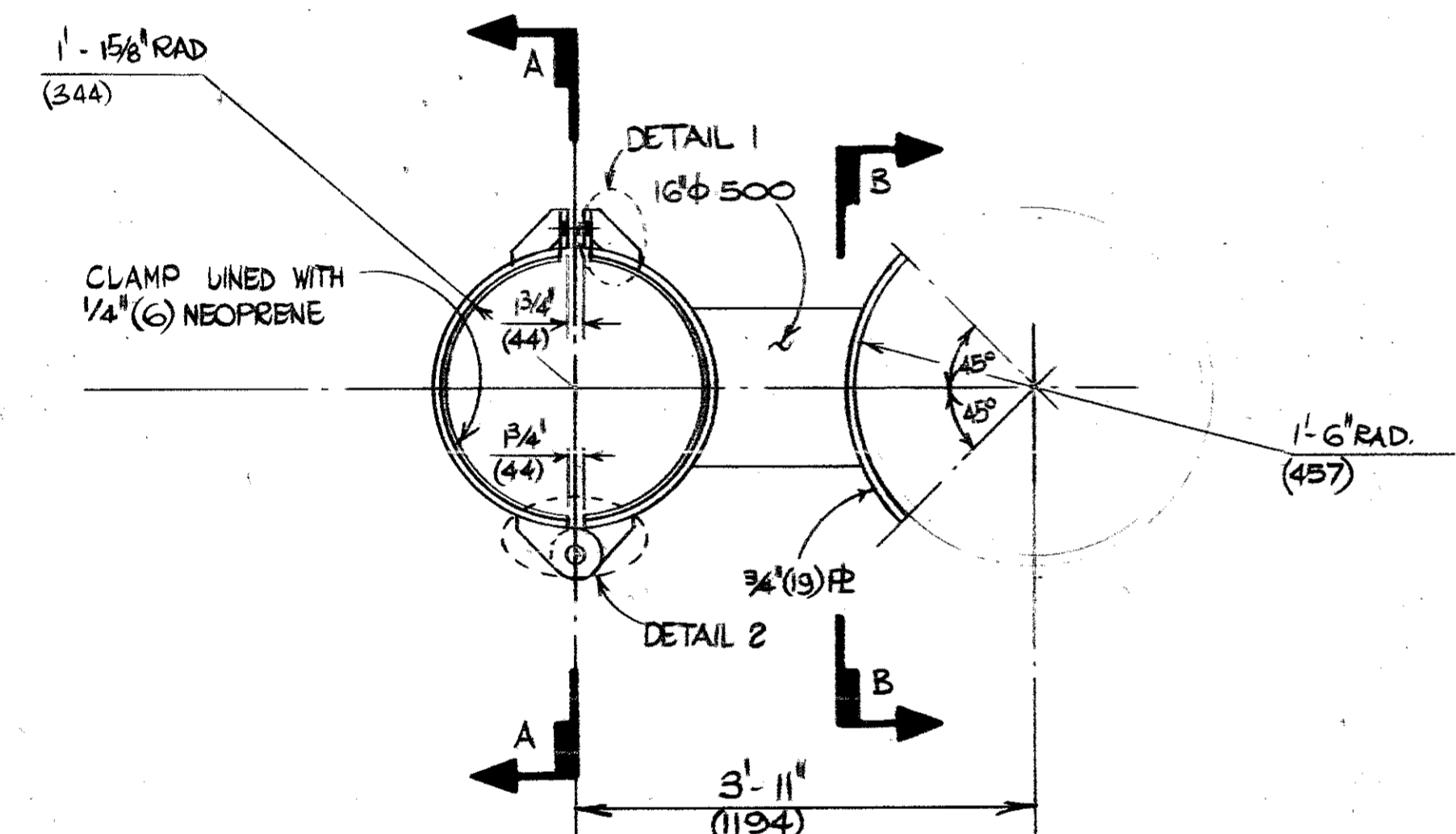


SECTION D-D
SCALE: 3/4" : 1'-0"

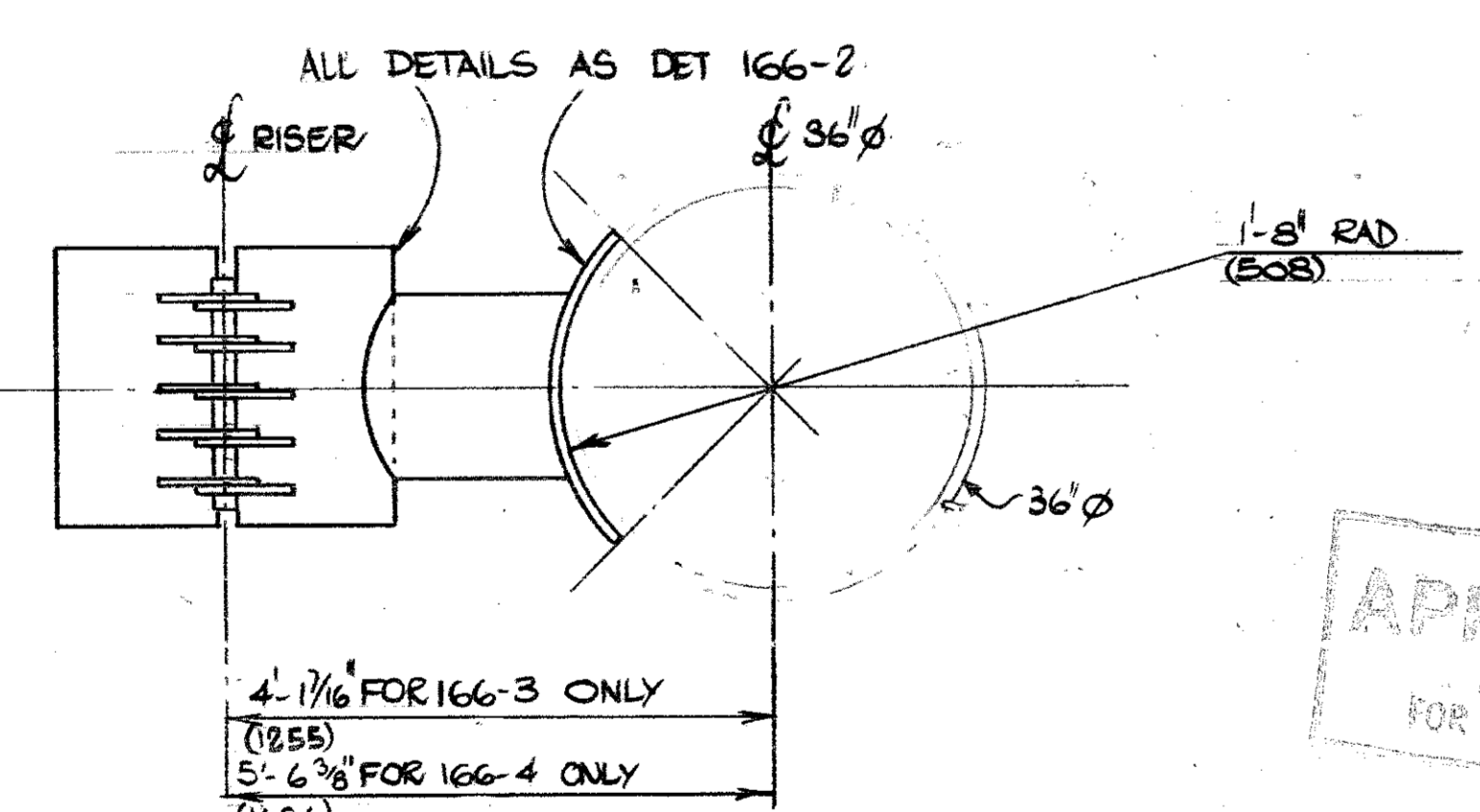


DETAIL 3
SCALE: 1/4" : 1'-0"

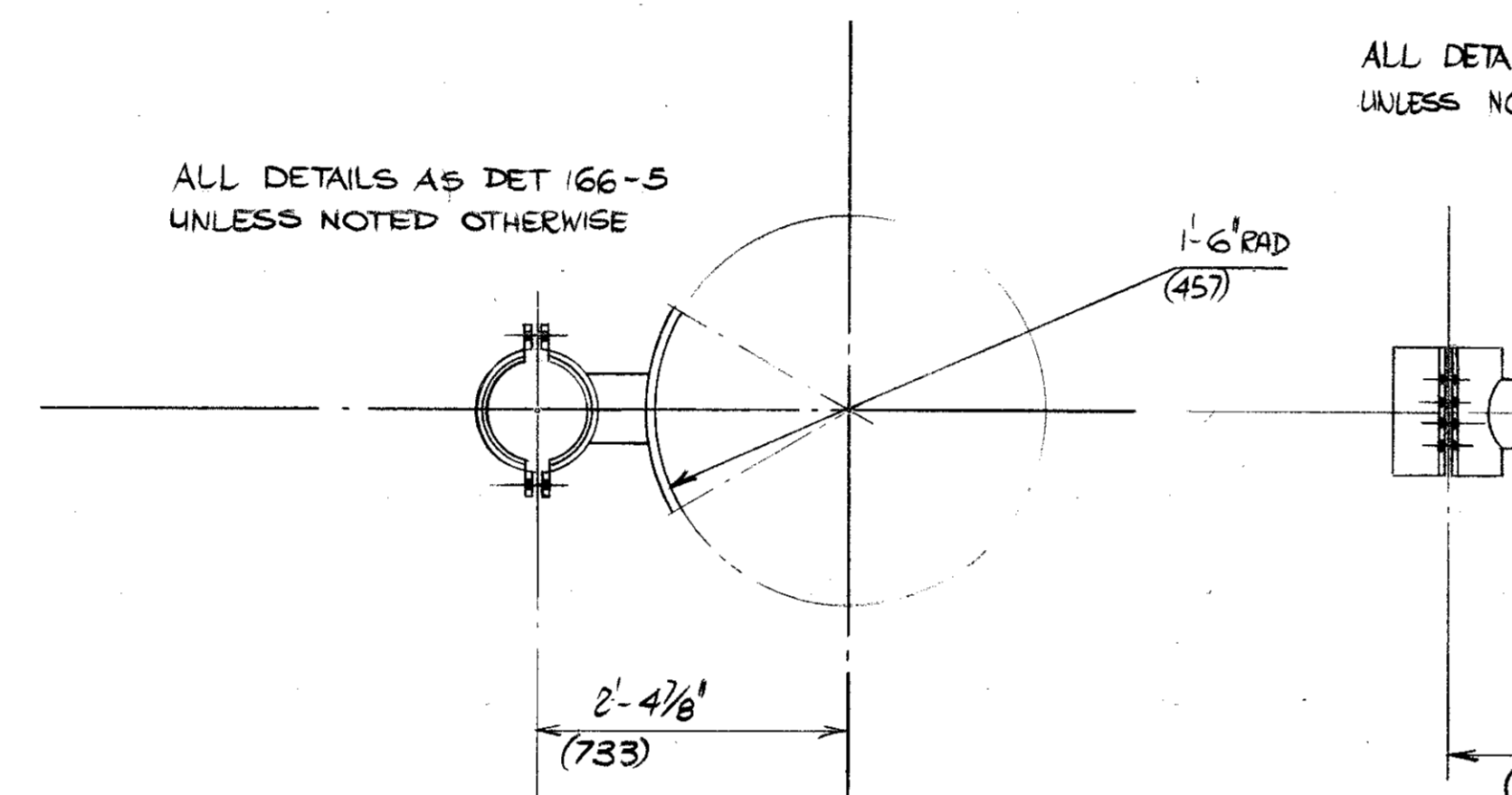
DETAIL 166-1. FOR 26" RISER
SCALE: 3/4" : 1'-0" (6 REQD AS DRAWN)



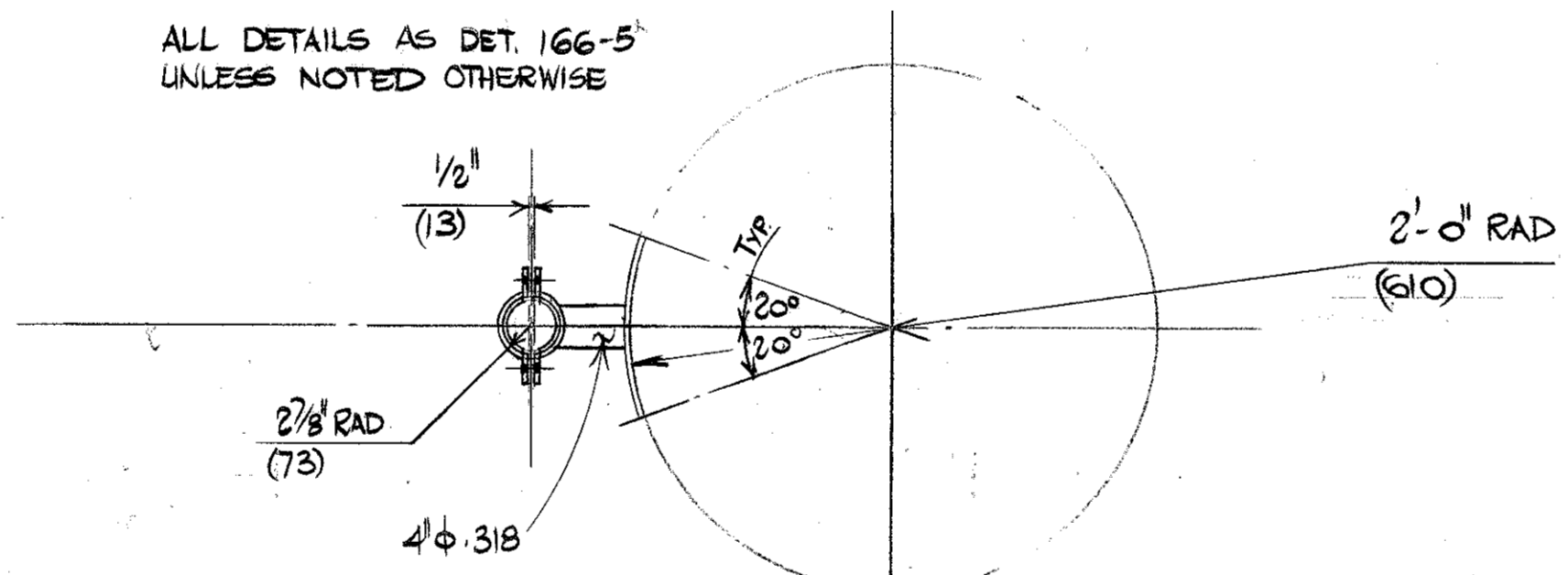
DETAIL 166-2. FOR 26" RISER
SCALE: 3/4" : 1'-0" (2-REQD. AS DRAWN)



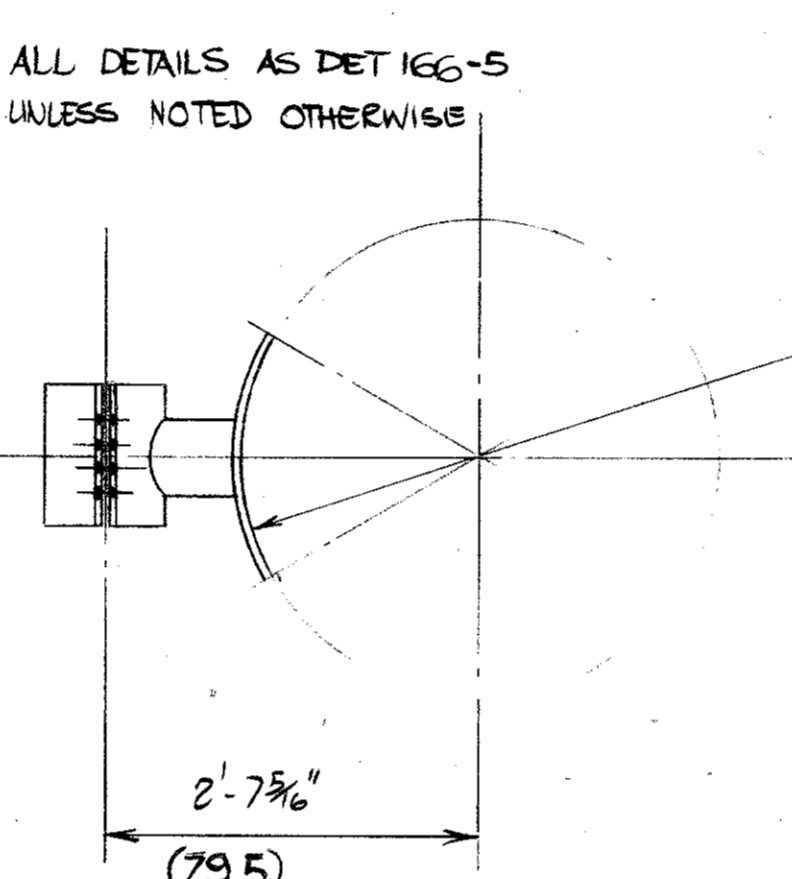
DETAIL 166-3. FOR 26" RISER (ONE REQD AS DRAWN & NOTED)
DETAIL 166-4. FOR 26" RISER (ONE REQD AS DRAWN & NOTED)
SCALE: 3/4" : 1'-0"



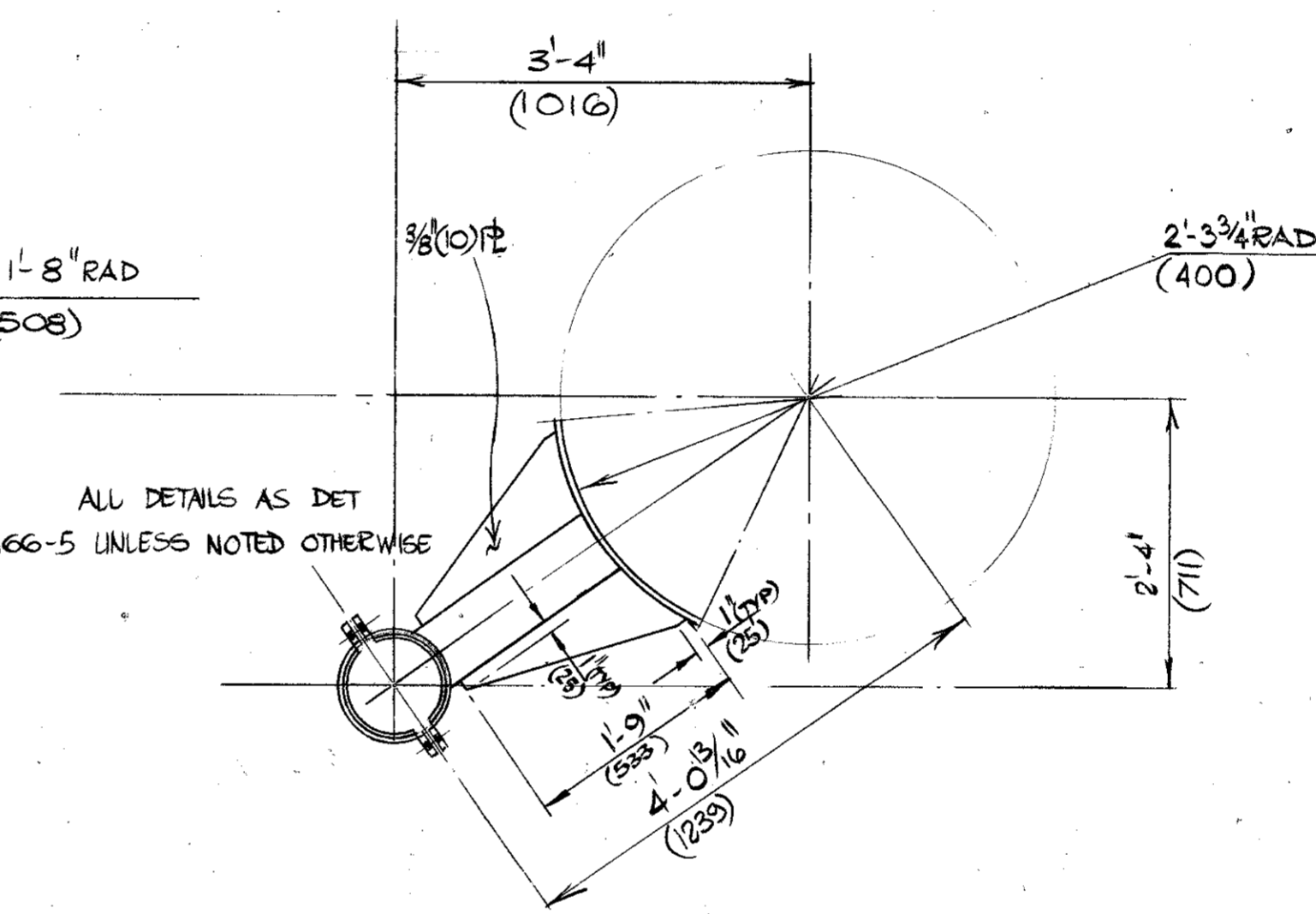
DETAIL 166-6. FOR 8 5/8" RISER
SCALE: 3/4" : 1'-0" (5-REQD. AS DRAWN)



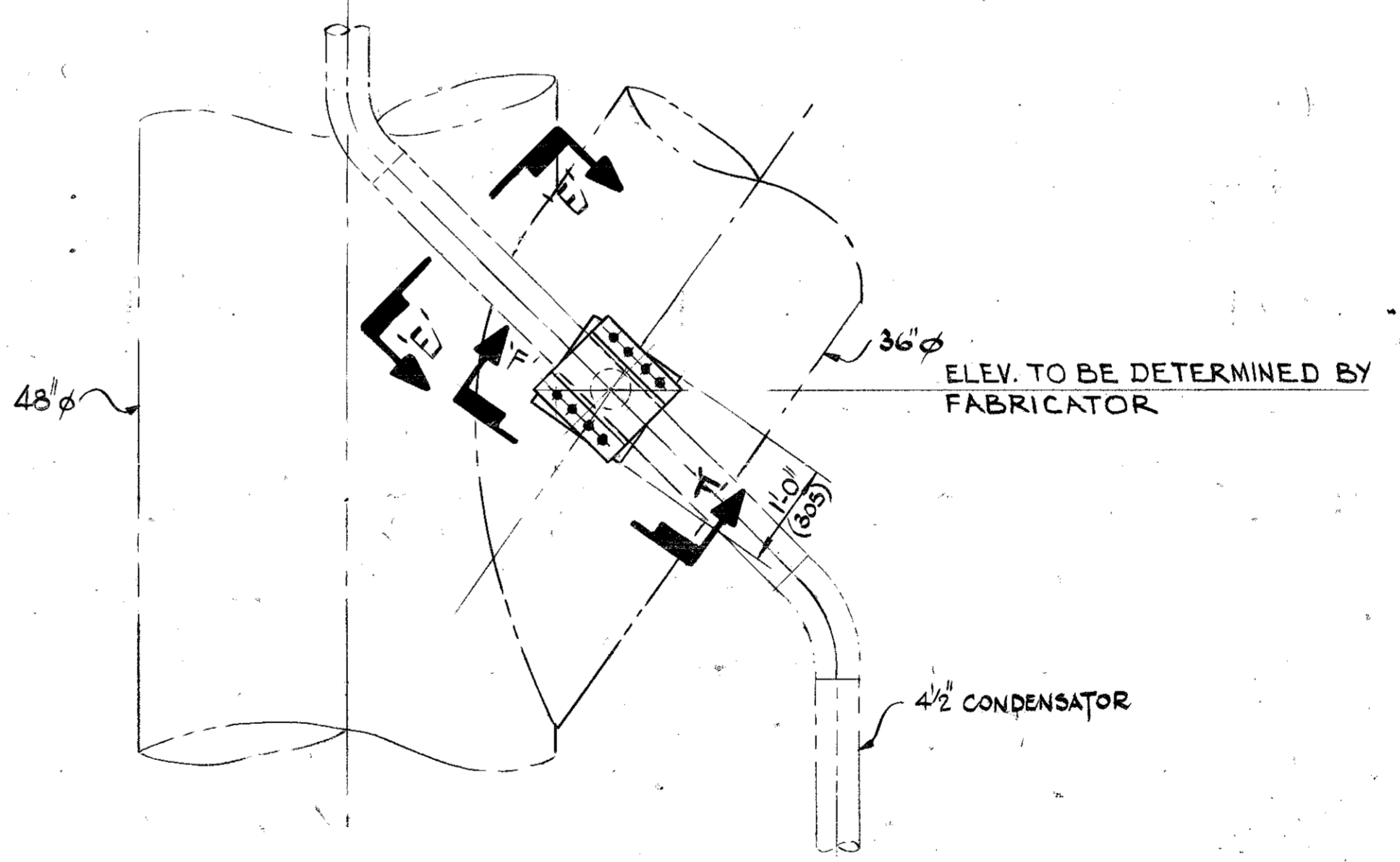
DETAIL 166-9 FOR 4 1/2" RISER
SCALE: 3/4" : 1'-0" (6-REQD. AS DRAWN)



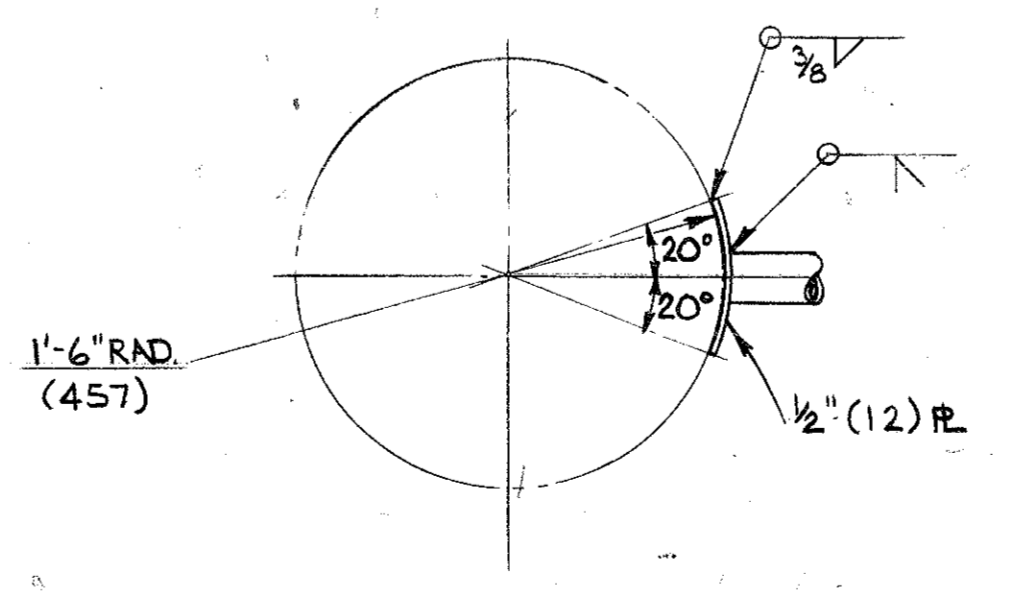
DETAIL 166-7. FOR 8 5/8" RISER
SCALE: 3/4" : 1'-0" (ONE REQD. AS DRAWN)



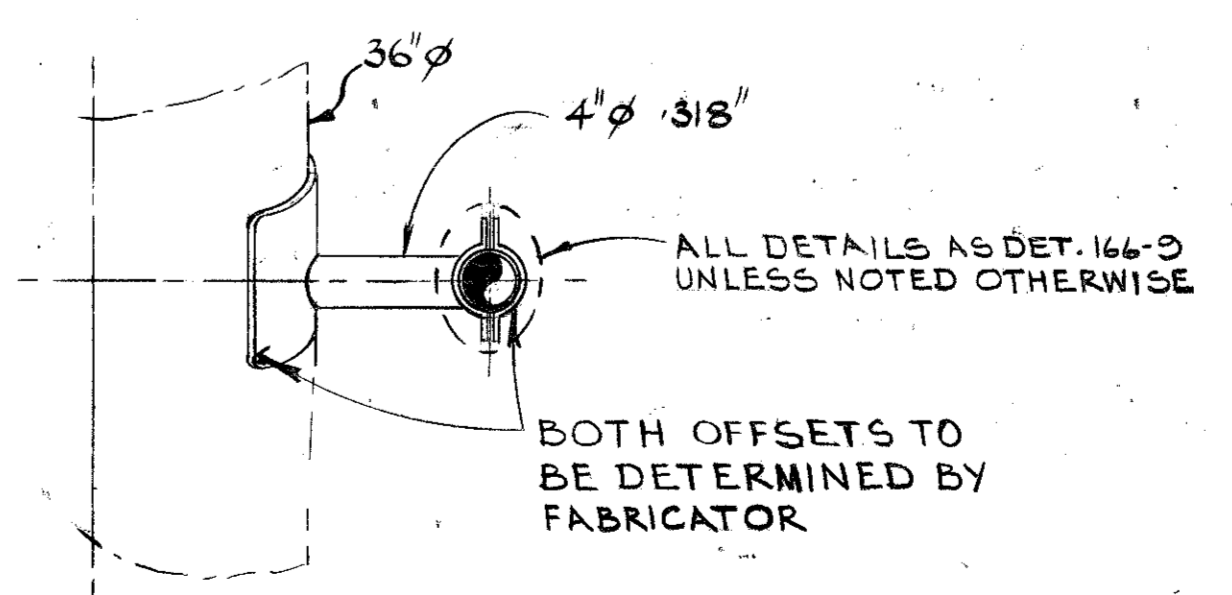
DETAIL 166-8. FOR 8 5/8" RISER
SCALE: 3/4" : 1'-0" (ONE REQD. AS DRAWN)



DETAIL 166-10. FOR 4 1/2" RISER
SCALE: 3/4" : 1'-0" (ONE REQD. AS DRAWN)



SECTION F-F



SECTION E-E
SCALE: 3/4" : 1'-0"

REFERENCE DRAWINGS:-
 26" RISERS TO DECK [DWG NO. ELN 2020
 SUPPORT TRUSSES [SH. 164
 ALL CONDENSATE & MISC RISERS [DWG NO. ELN 2020
 TO DECK SUPPORT TRUSSES [SH. 166

26 JUL 2020
APPROVED
 FOR CONSTRUCTION

elf Norge as
 dwg no: FF 931.210.066
 rev: 0 date: 09.10.74
 Item:

ELF-NORGE A/S NORWAY	
24 WELL SELF CONTAINED	
DRILLING PLATFORM No 1	
NORTH SEA	FRIGG FIELD
WD 98 M	
McDERMOTT - HUDSON	
LONDON - ENGLAND	
PROJECT: <i>FF 931.210.066</i>	DWG NO: <i>ELN 2020</i>
DESIGNED BY: <i>D.J. BURNETT</i>	DATE: <i>31/10/74</i>
DRAWN BY: <i>MTM</i>	SHEET NO: <i>166</i>
CHECKED BY: <i>CC</i>	DATE: <i>10/10/74</i>
APPROVED BY: <i>[Signature]</i>	DATE: <i>26/7/20</i>

DESIGN	STRUCT	PIPING	ELEC	MK	BY	DATE	REVISIONS	DATE	APP.	DESIGN	STRUCT	PIPING	ELEC	MK	BY	DATE	REVISIONS	DATE	APP.