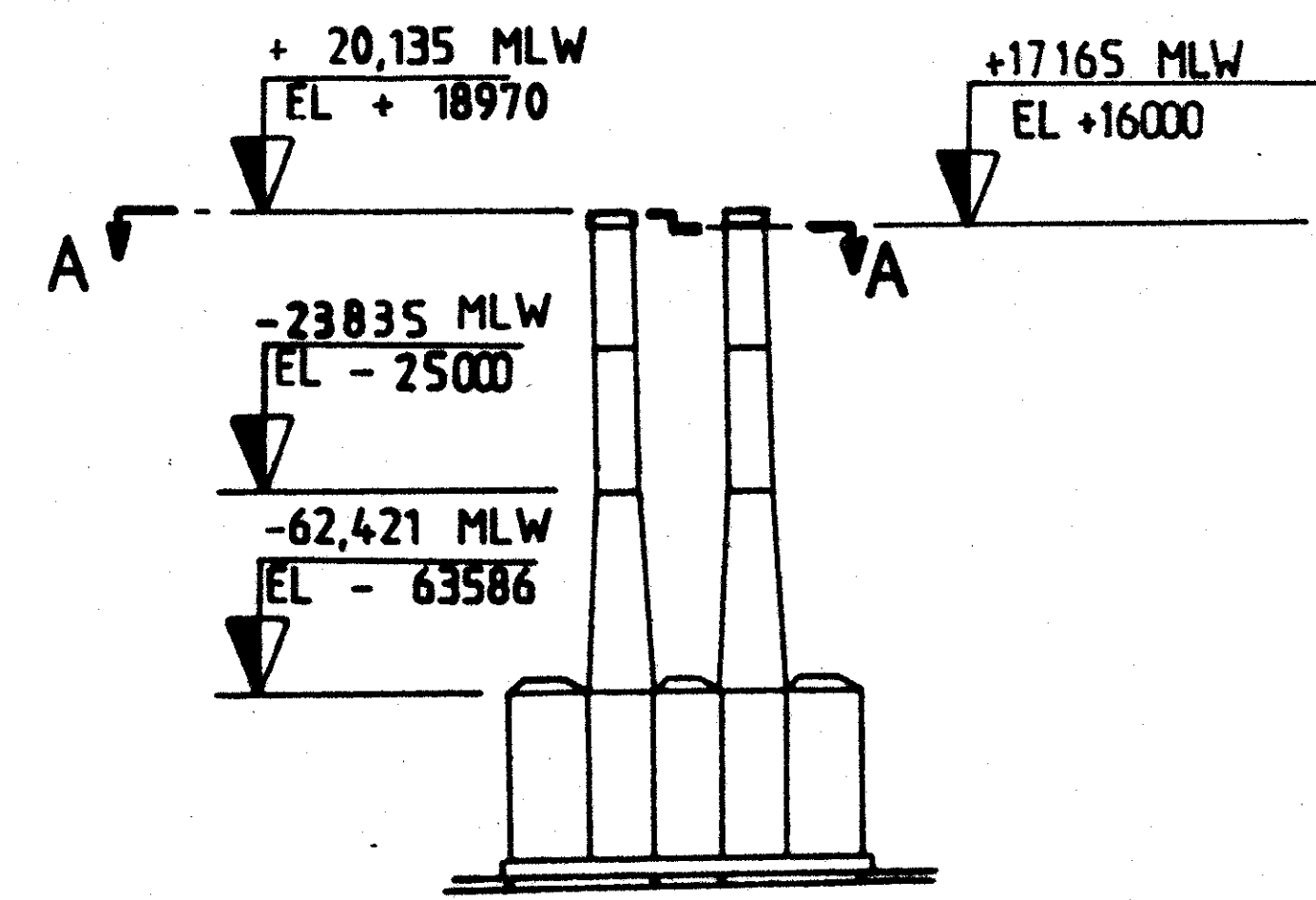
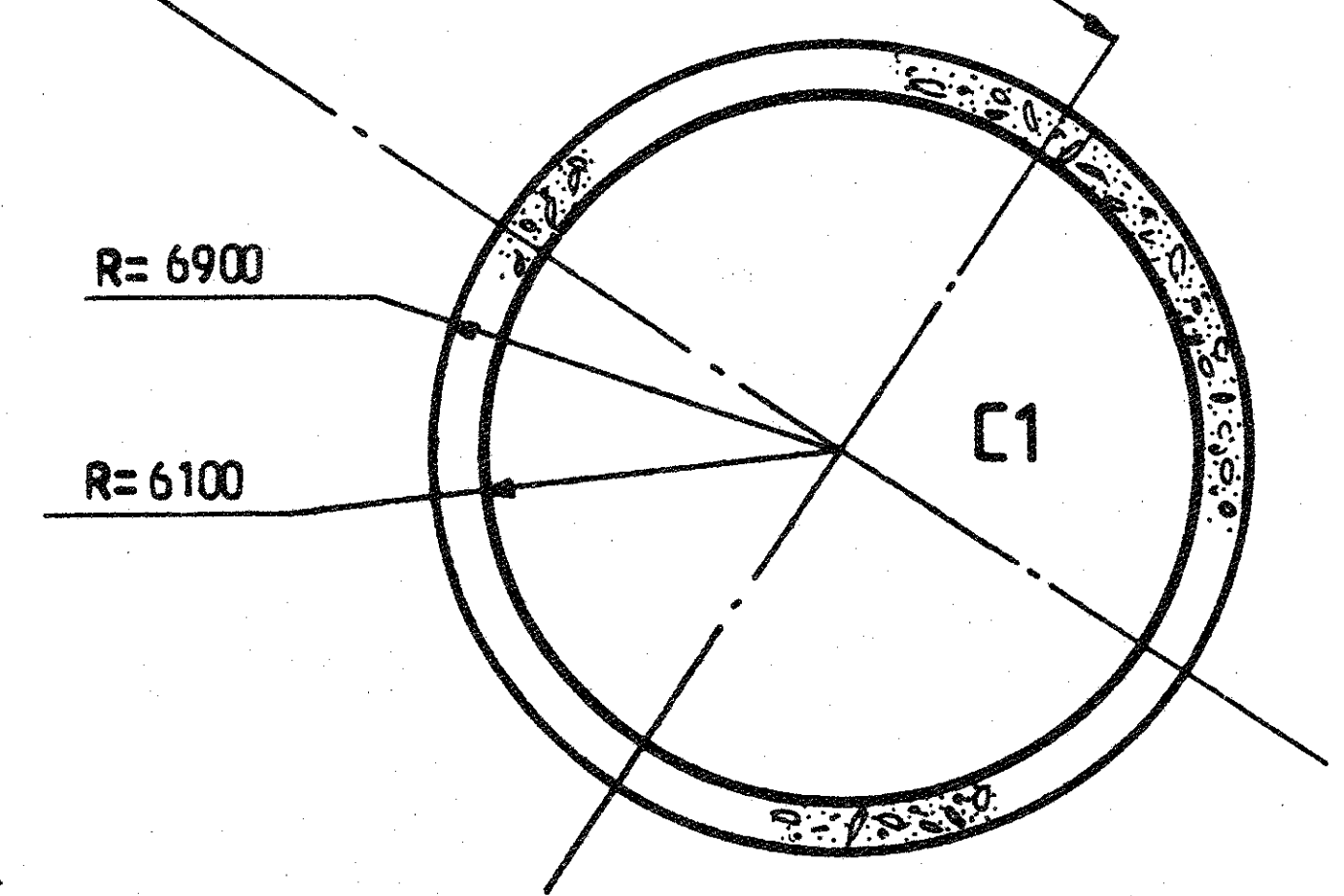
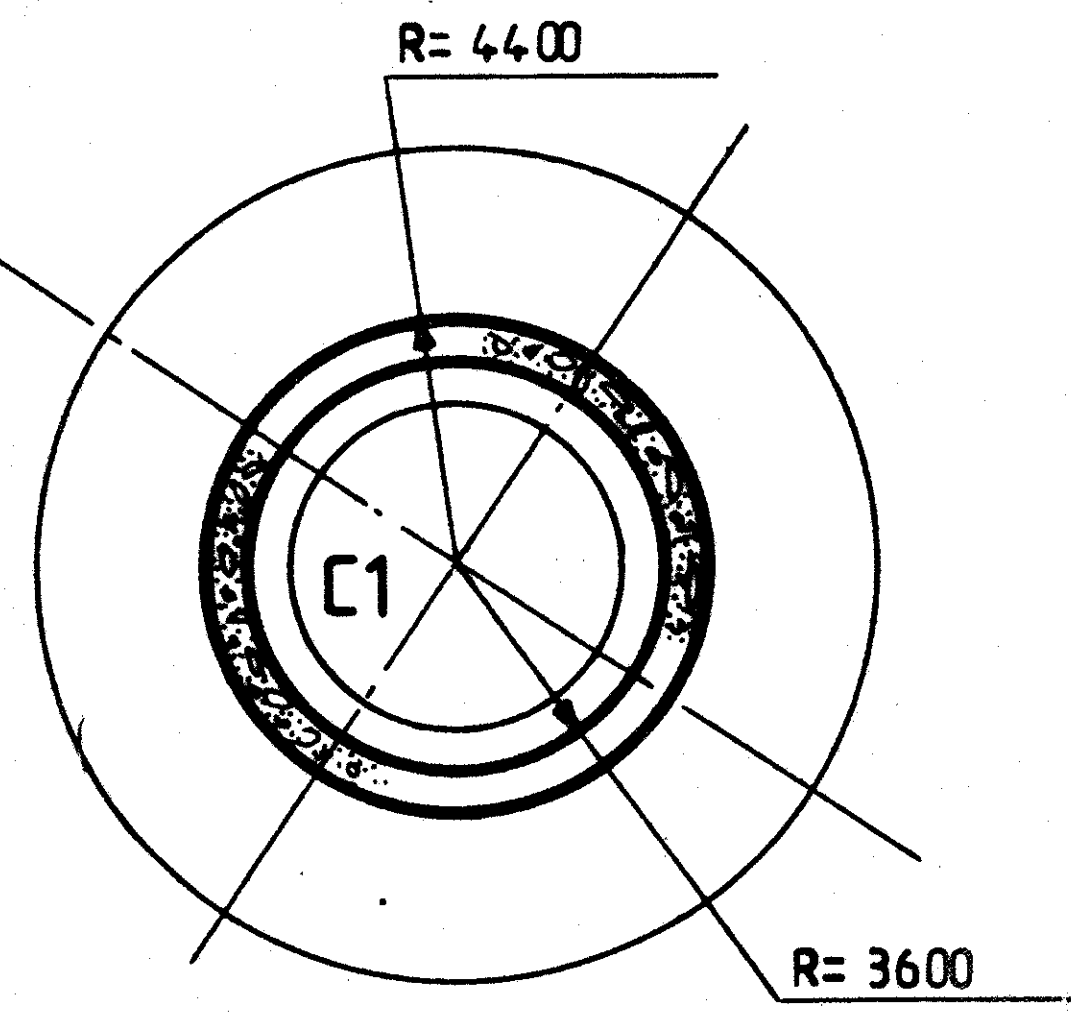
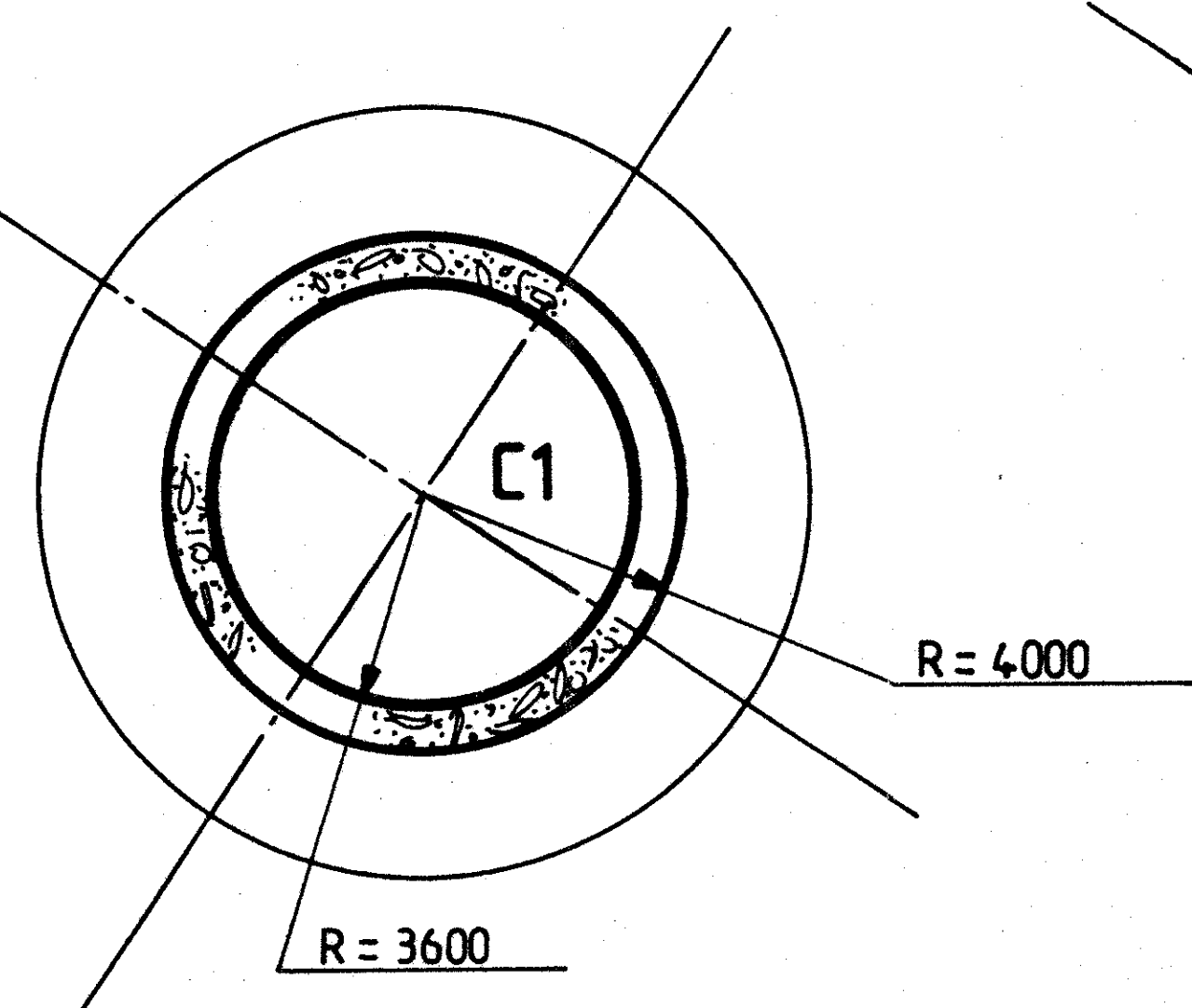
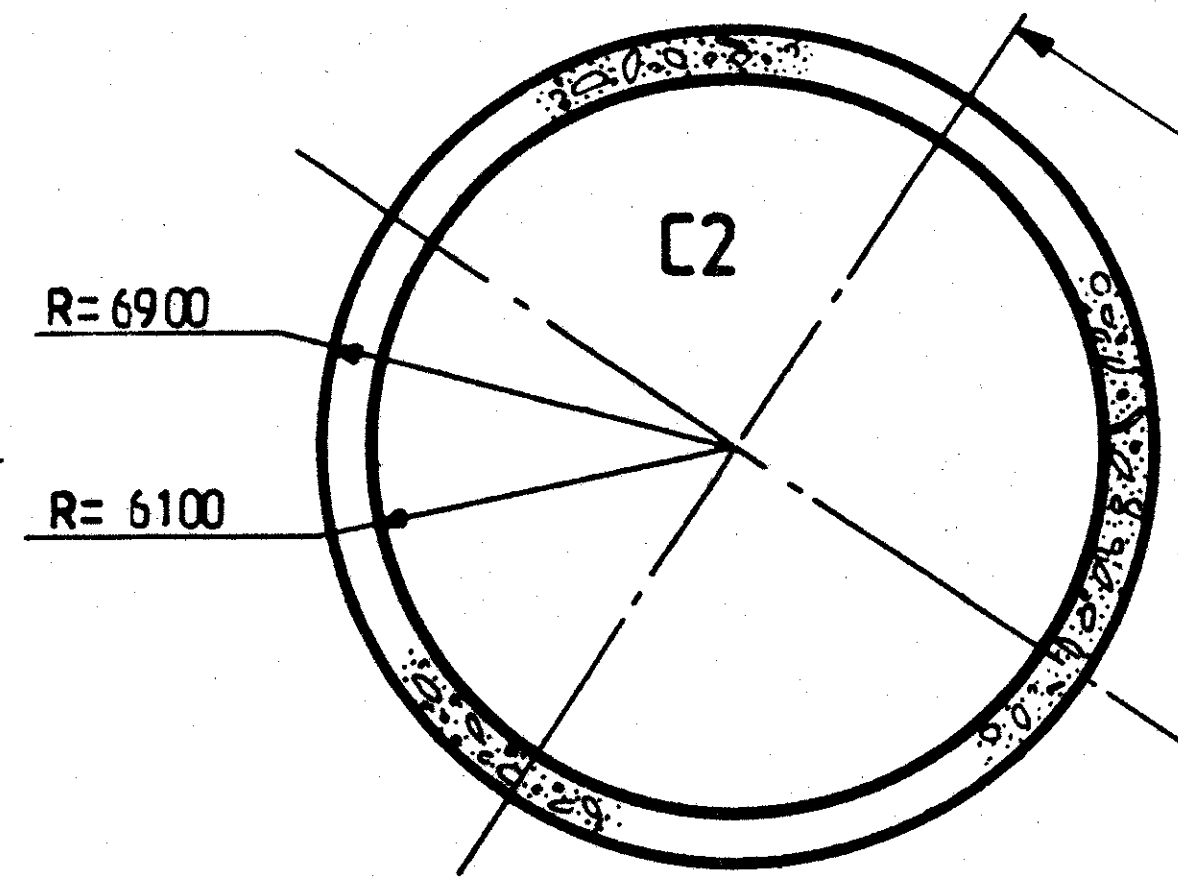
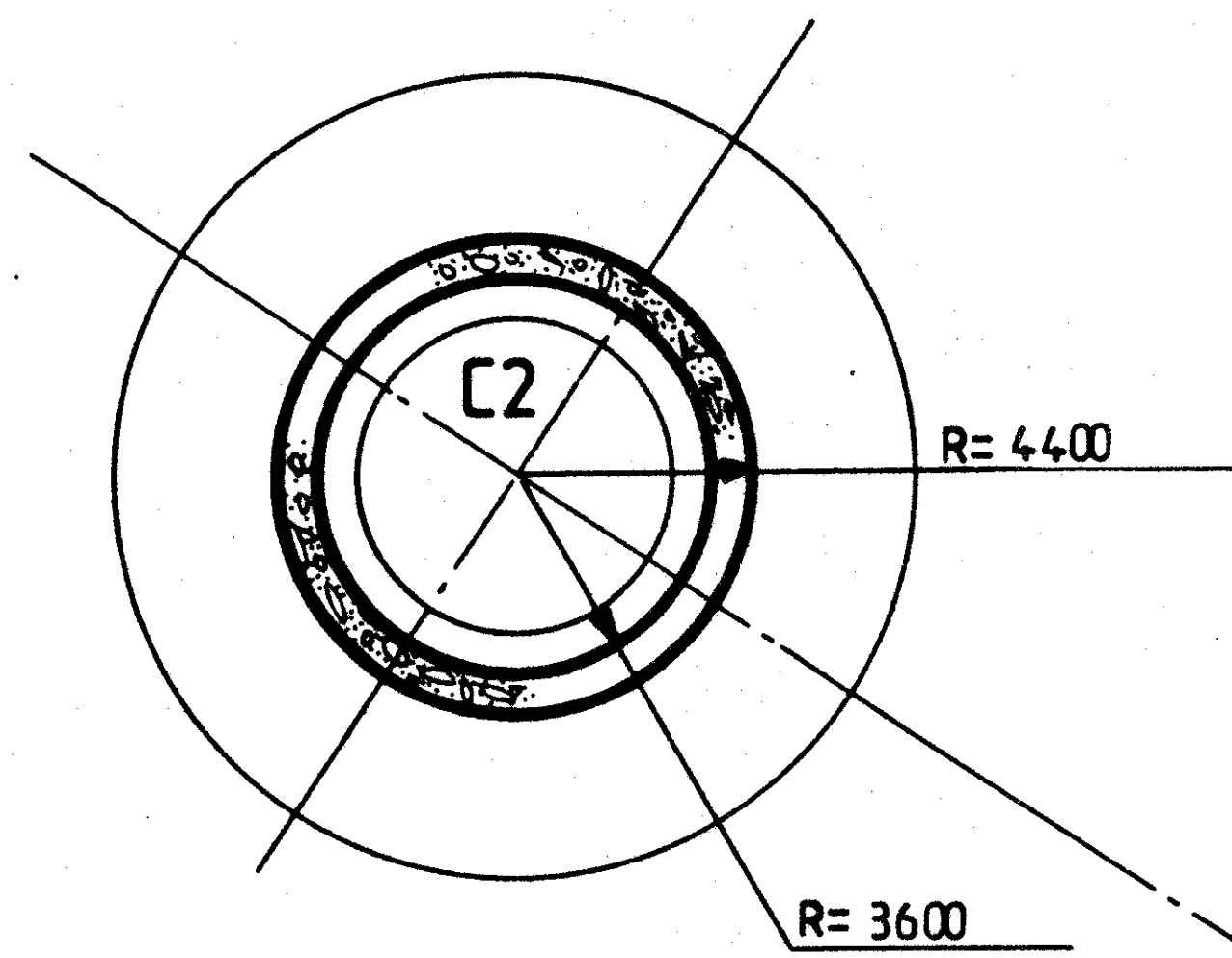
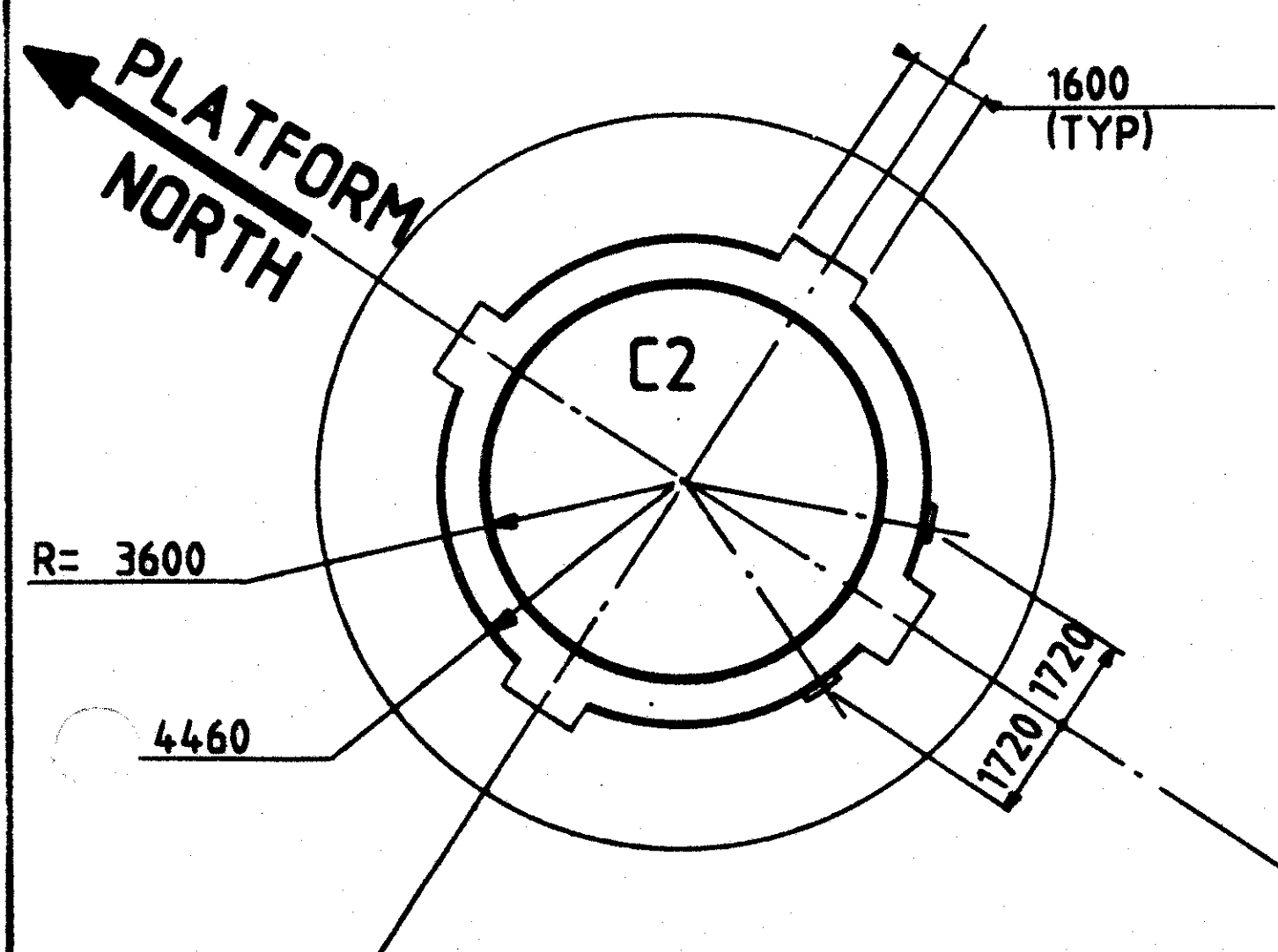
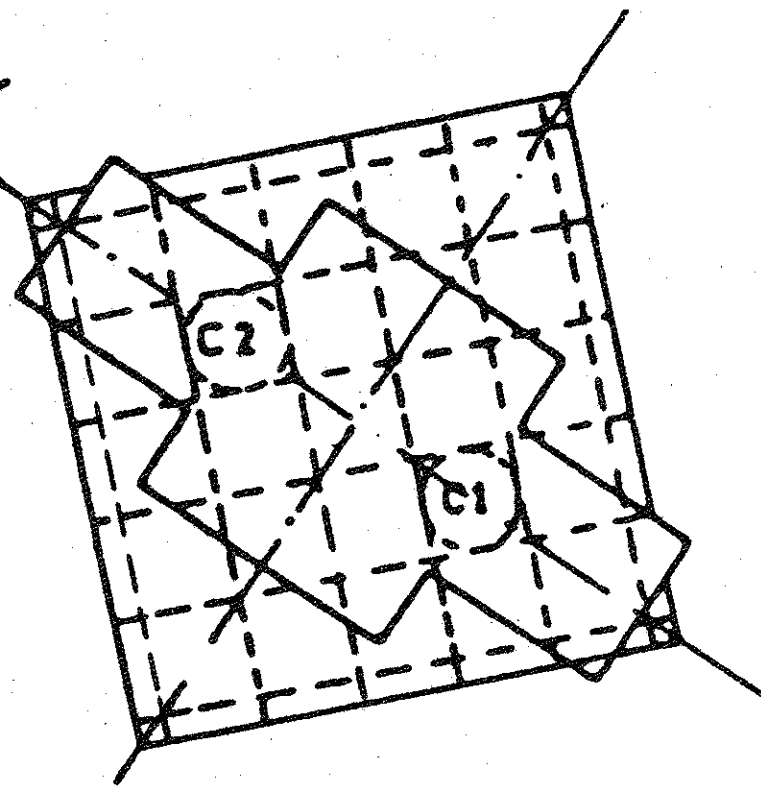


GRID NORTH  
335° 20' 28"



SECTION A-A

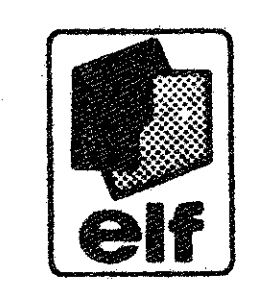
SECTION AT LEVEL -23835.MLW

SECTION AT LEVEL -63586.MLW

NOTES

0	11/84	First issue	P.J.
Rev.	Date	DESCRIPTION	by app.
Contractor		TEMEX	

**elf**  
aquitaine  
norge a/s  
P.O. Box 168  
4001 Stavanger



Installation	TP-1	System
Job no.	SECTION THROUGH COLUMNS	
Scale	1/250	
Drwg. no.	95. 36. 00. 6558	Rev.
FF		Sheet
		1/2

FRIGG FIELD

Rev. Sheet