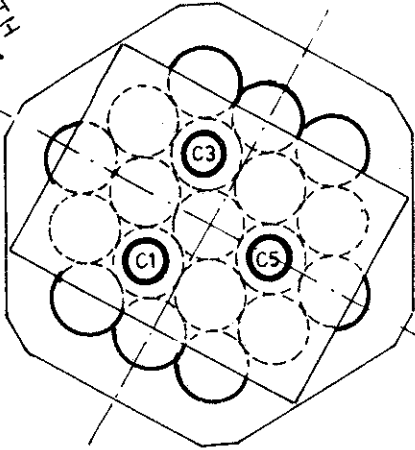
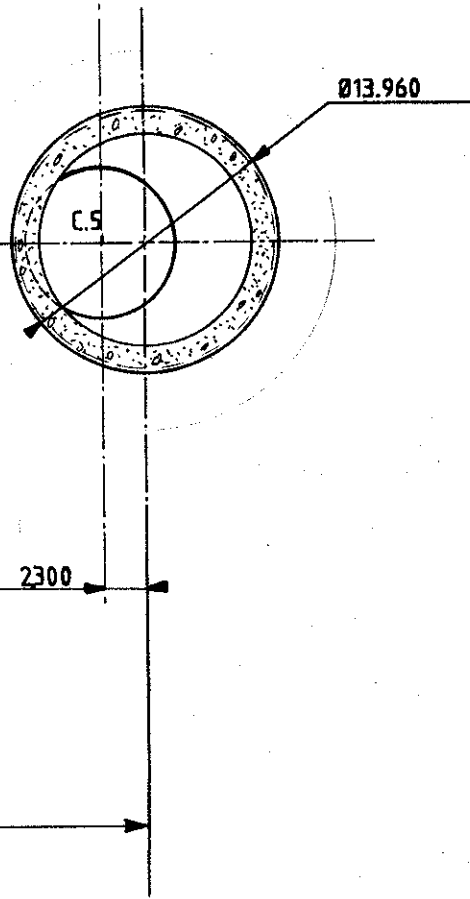
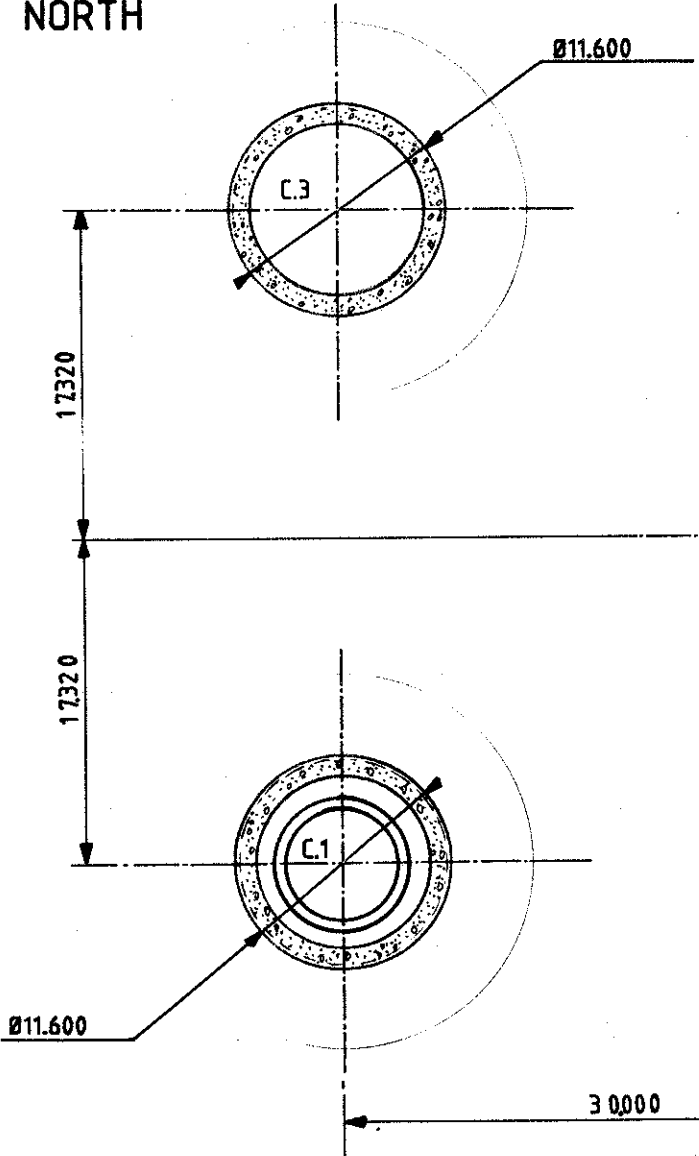


GRID NORTH
 PLATFORM NORTH
 331° 03' 06"



KEY PLAN

PLATFORM NORTH



NOTES

0	03/85	First issue	CP.
Rev.	Date	DESCRIPTION	by app.
Contractor TEMEX			

elf
aquitaine
norge a/s
 P.O. Box 168
 4001 Stavanger

elf
 FRIGG FIELD

Installation	TCP 2	System
Job no.		
Scale	1/400	
Drwg. no.	FF 05. 36. 25. 0536	
Rev.	Sheet	
	1/2	

Size A4 Form 100.315