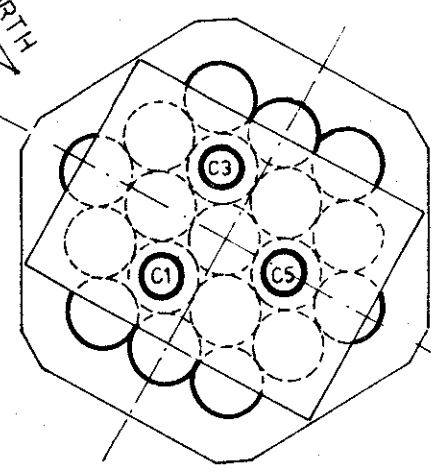
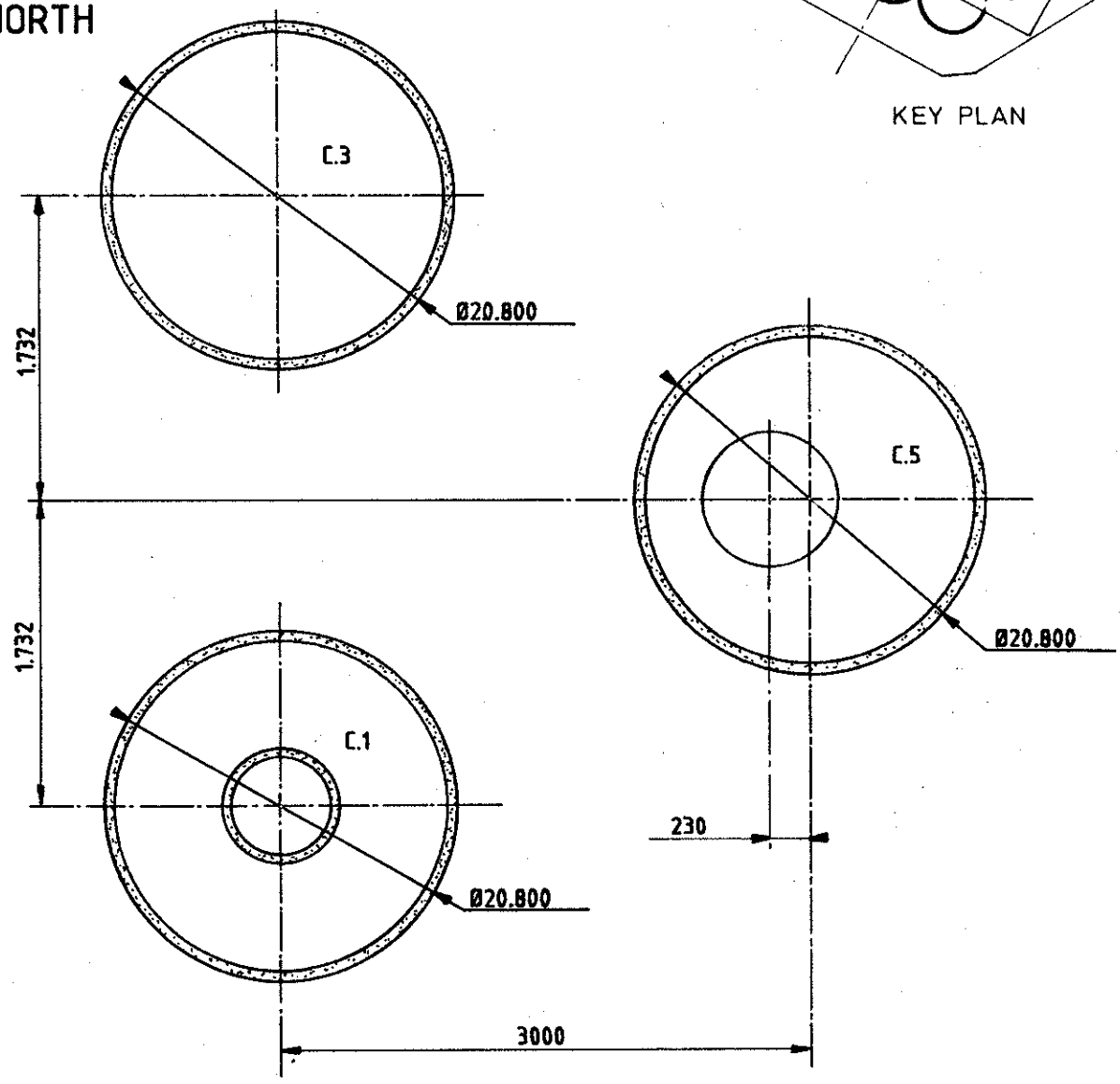


GRID NORTH  
 PLATFORM NORTH  
 331° 03' 06"



KEY PLAN

PLATFORM NORTH



NOTES

Rev.	Date	DESCRIPTION	by	app.
0	03/85	First issue	CP.	

Contractor: **TEMEX**

**elf**  
**aquitaine**  
**norge a/s**  
 P.O. Box 168  
 4001 Stavanger



FRIGG FIELD

Installation	<b>TCP 2</b>	System
Job no.		
Scale	1/400	
Drwg. no.	<b>FF 85. 36. 25. 0538</b>	
Rev.		Sheet
		1/2

Randaberg Trykk A.S.