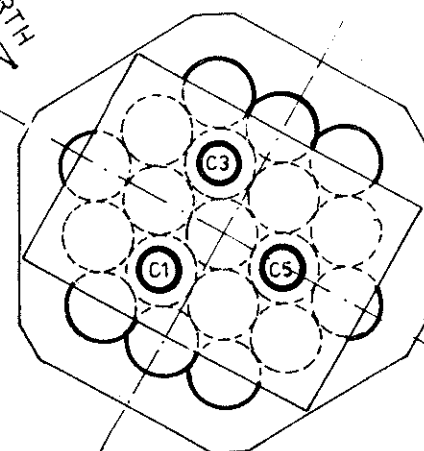
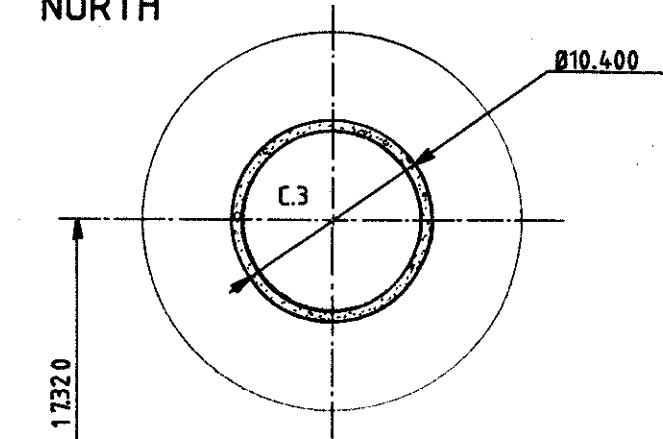


GRID NORTH
 PLATFORM NORTH
 331° 03' 06"

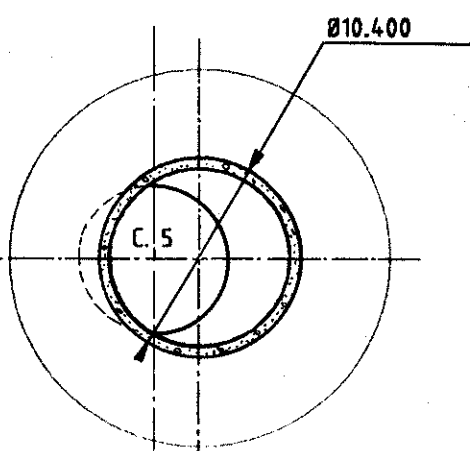


KEY PLAN

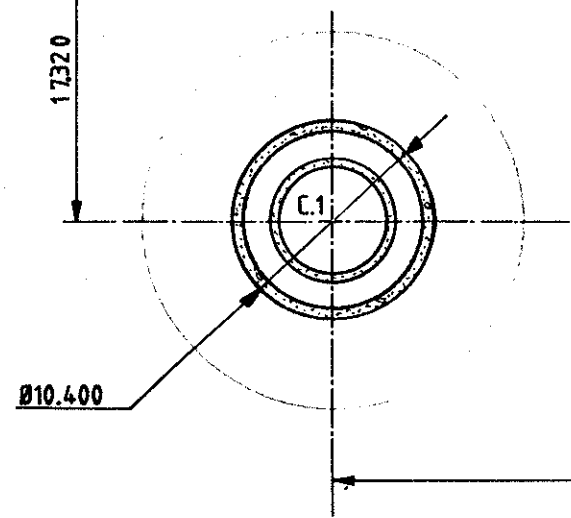
PLATFORM NORTH



17320



17320



2300

3 000 0

NOTES

0	03/85	First issue	CP.
Rev.	Date	DESCRIPTION	by app.
Contractor		TEMEX	

elf
aquitaine
norge a/s
 P.O. Box 168
 4001 Stavanger

elf
 FRIGG FIELD

Installation	TCP 2	System
Job no.		
Scale	1/400	
Drwg. no.	85. 36. 25. 0537	
Rev.	Sheet	1/2

Randberg Trykk A.s

Size A4 Form 100/315