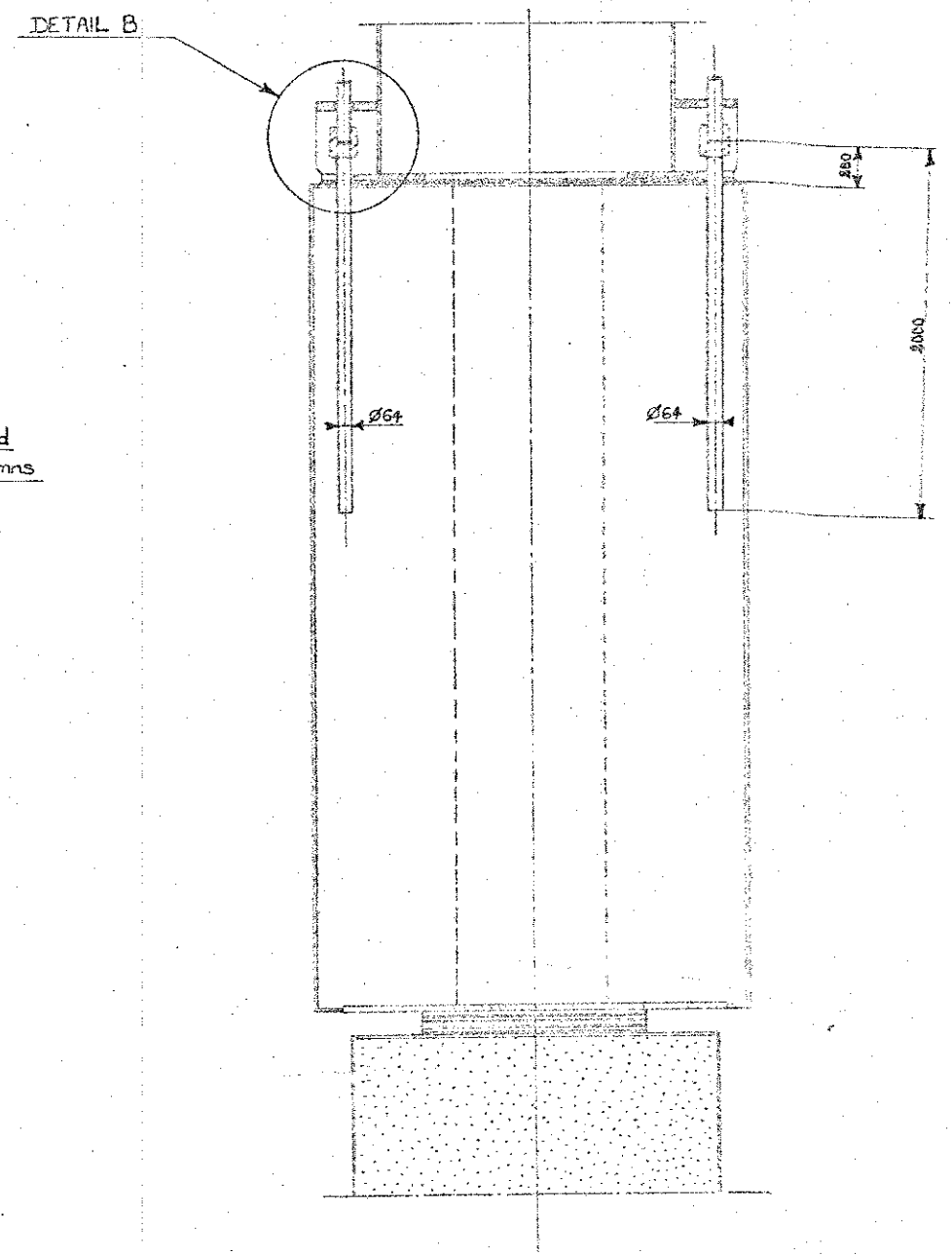
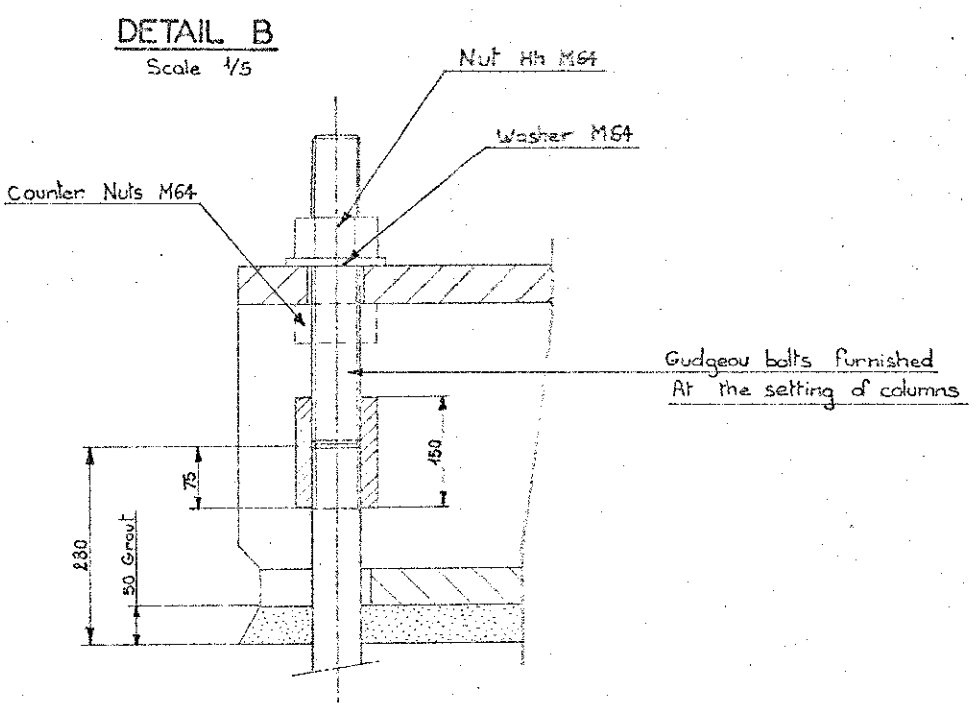
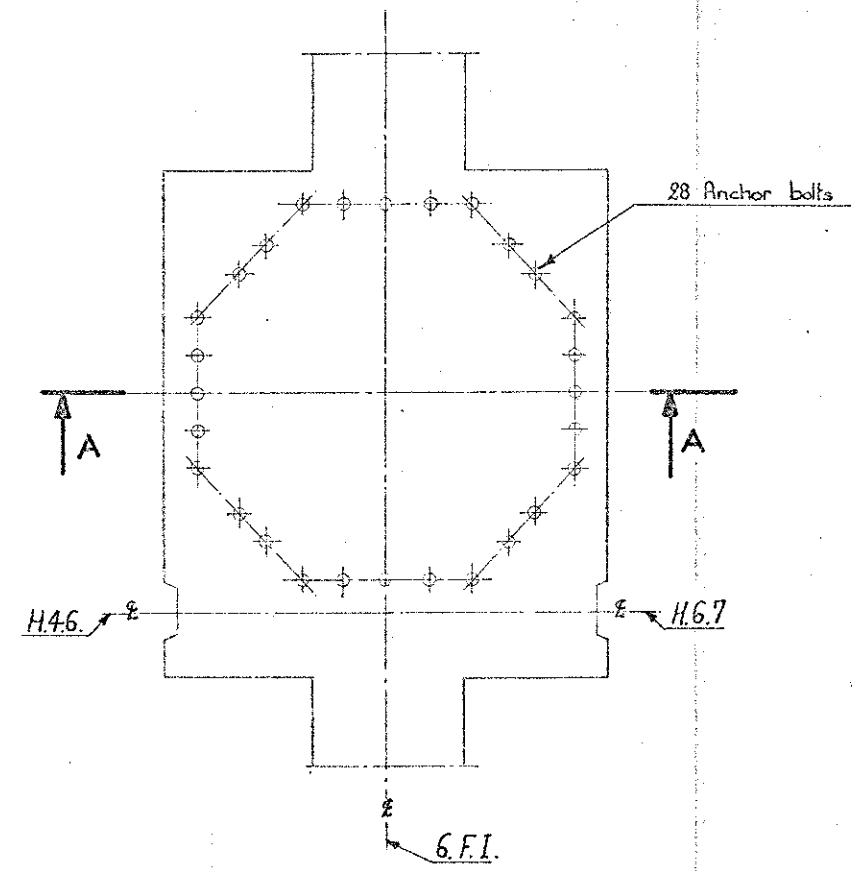


SECTION AA



for location anchor bolts see drawing Europe Etudes R11 MP QD 4044 Rev: 2

ALL INFORMATION CONTAINED IN THIS DOCUMENT IS UNCLASSIFIED EXCEPT WHERE SHOWN OTHERWISE. IT IS THE PROPERTY OF THE NATIONAL ARCHIVES AND IS LOANED TO YOU BY THE NATIONAL ARCHIVES. IT IS TO BE REPRODUCED AND TRANSMITTED IN ANY FORM OR BY ANY MEANS, ELECTRONIC OR MECHANICAL, INCLUDING PHOTOCOPYING, RECORDING, OR BY ANY INFORMATION STORAGE AND RETRIEVAL SYSTEM, WITHOUT PERMISSION IN WRITING FROM THE NATIONAL ARCHIVES.

REFERENCE DRAWINGS		REV.	REVISION	BY	DATE	APPROVED	SCALE	PROJECT NO.	DRAWING NUMBER
NUMBER	TITLE								
		1	For Approval				1/20 - 1/5		41MPO0501.1
65-1_01_213 SETTING ANCHOR BOLTS FOR COLUMNS									

C. G. DORIS  
John Howard

TOTAL OIL MARINE LIMITED  
194904  
Frigg field to Scotland pipe line  
Intermediate manifold platform