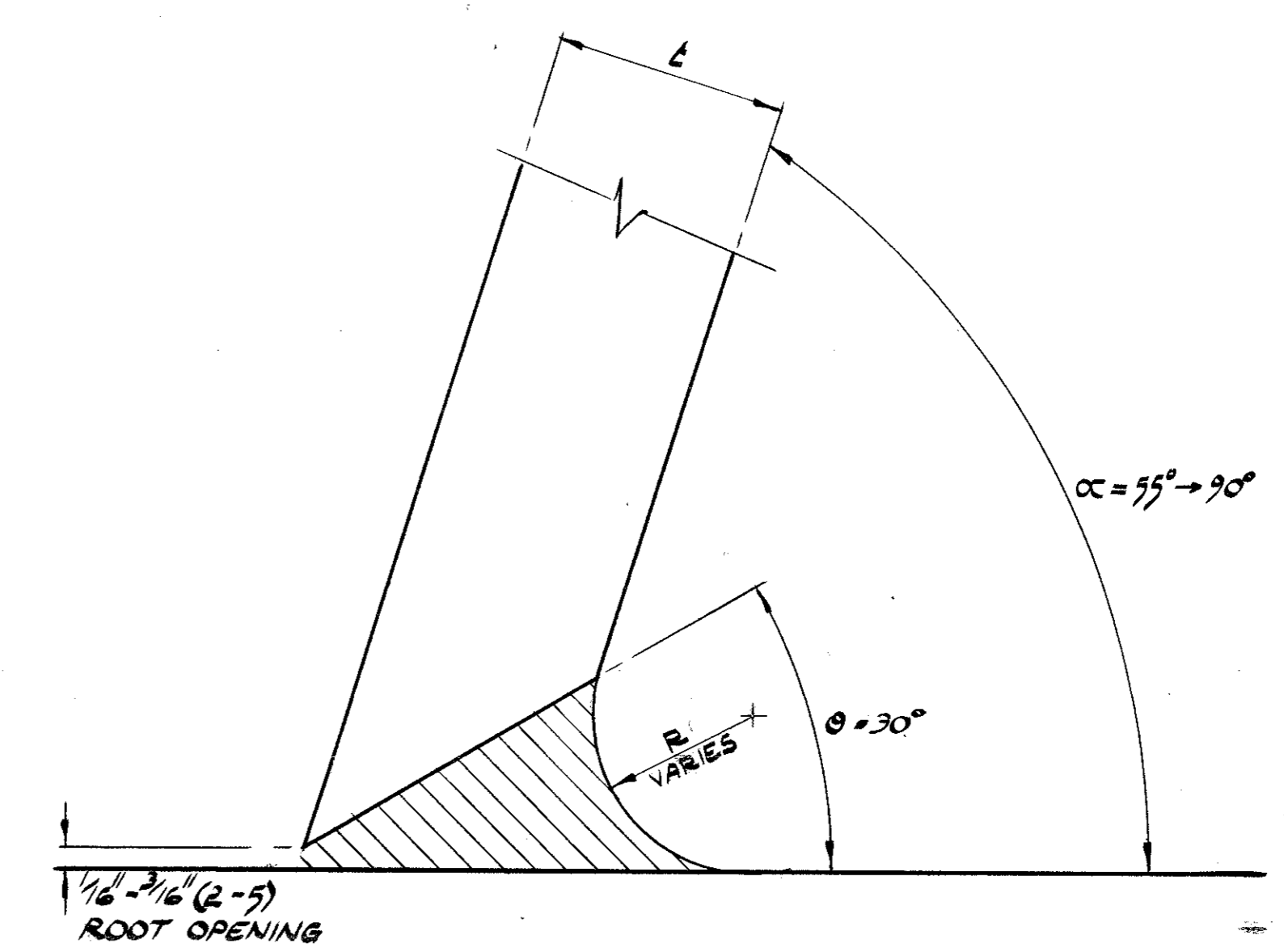
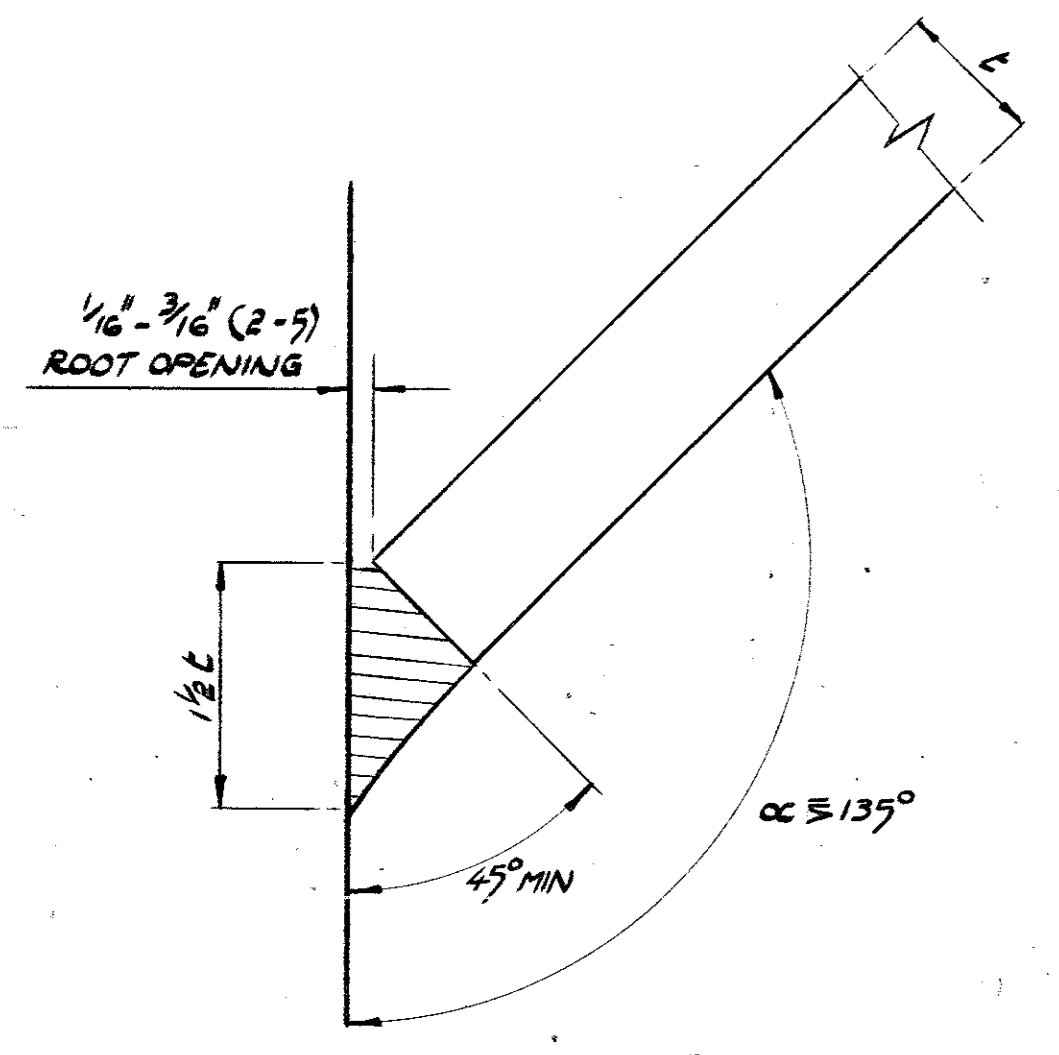


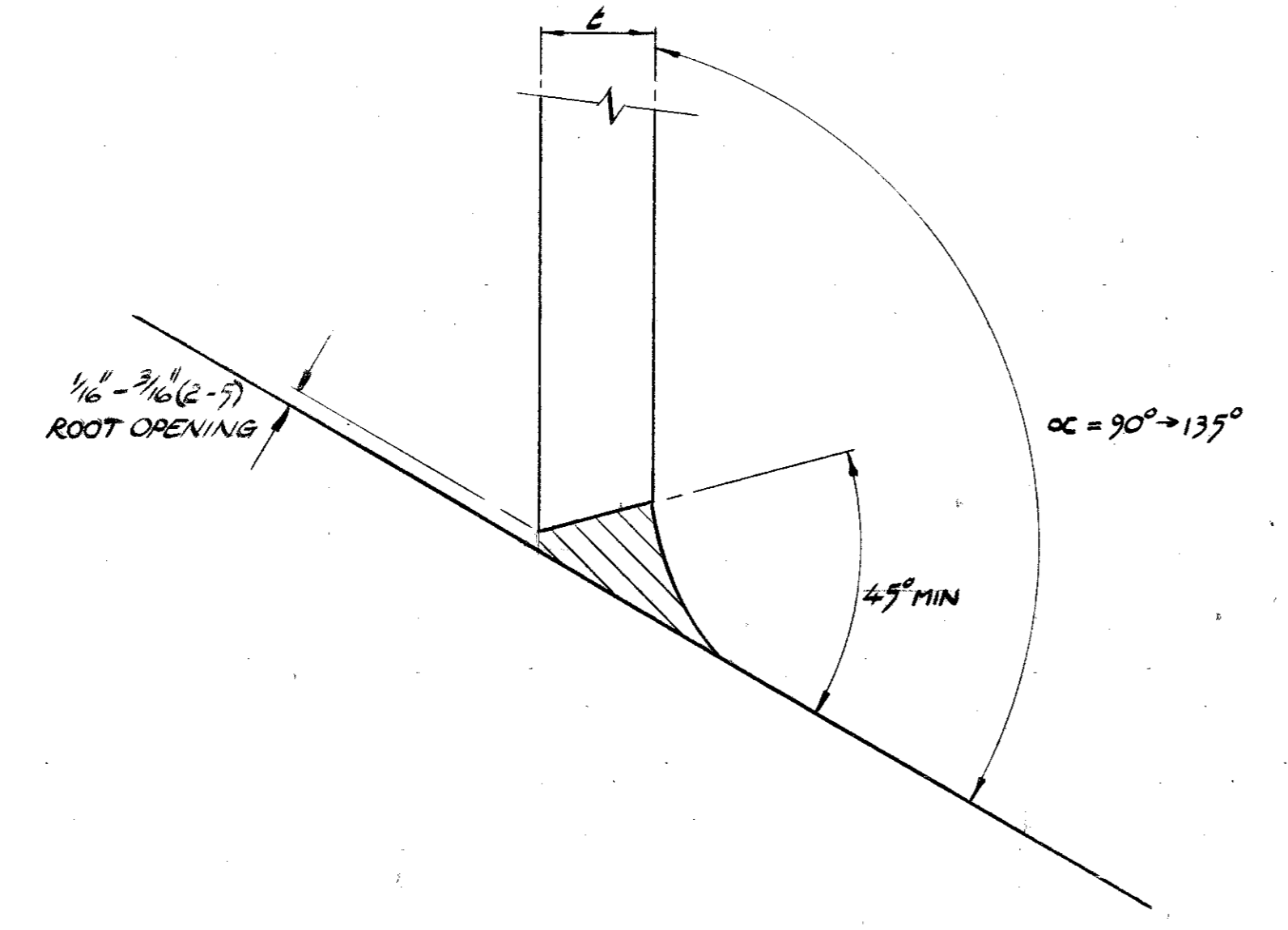
TYPICAL CONNECTION ELEVATION
NOTE: ALL WELD TOES TO BECOME TANGENT TO PIPE SURFACE IN A SMOOTH RADIUS



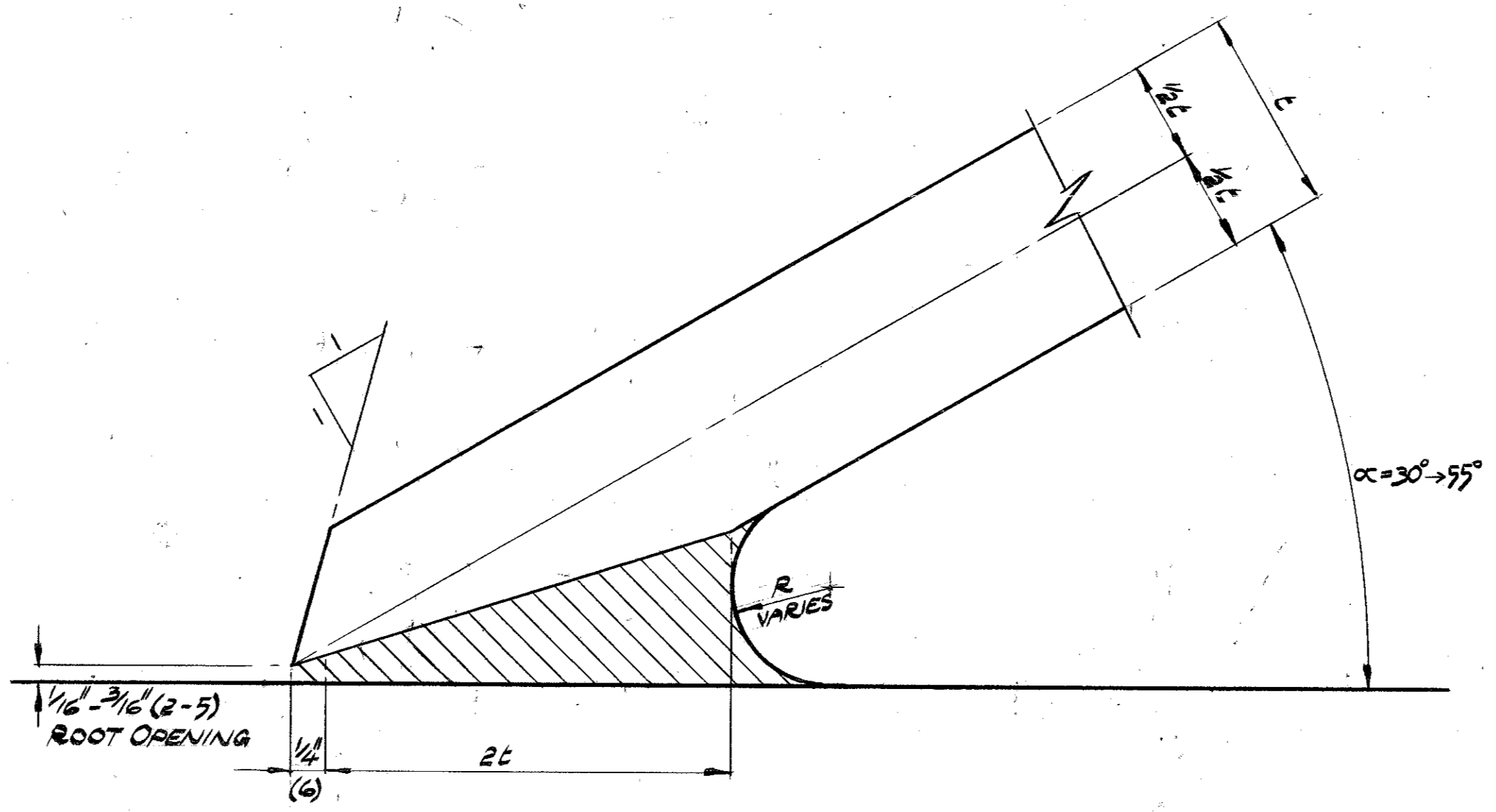
SECTION C-C
L ≥ 1/2"



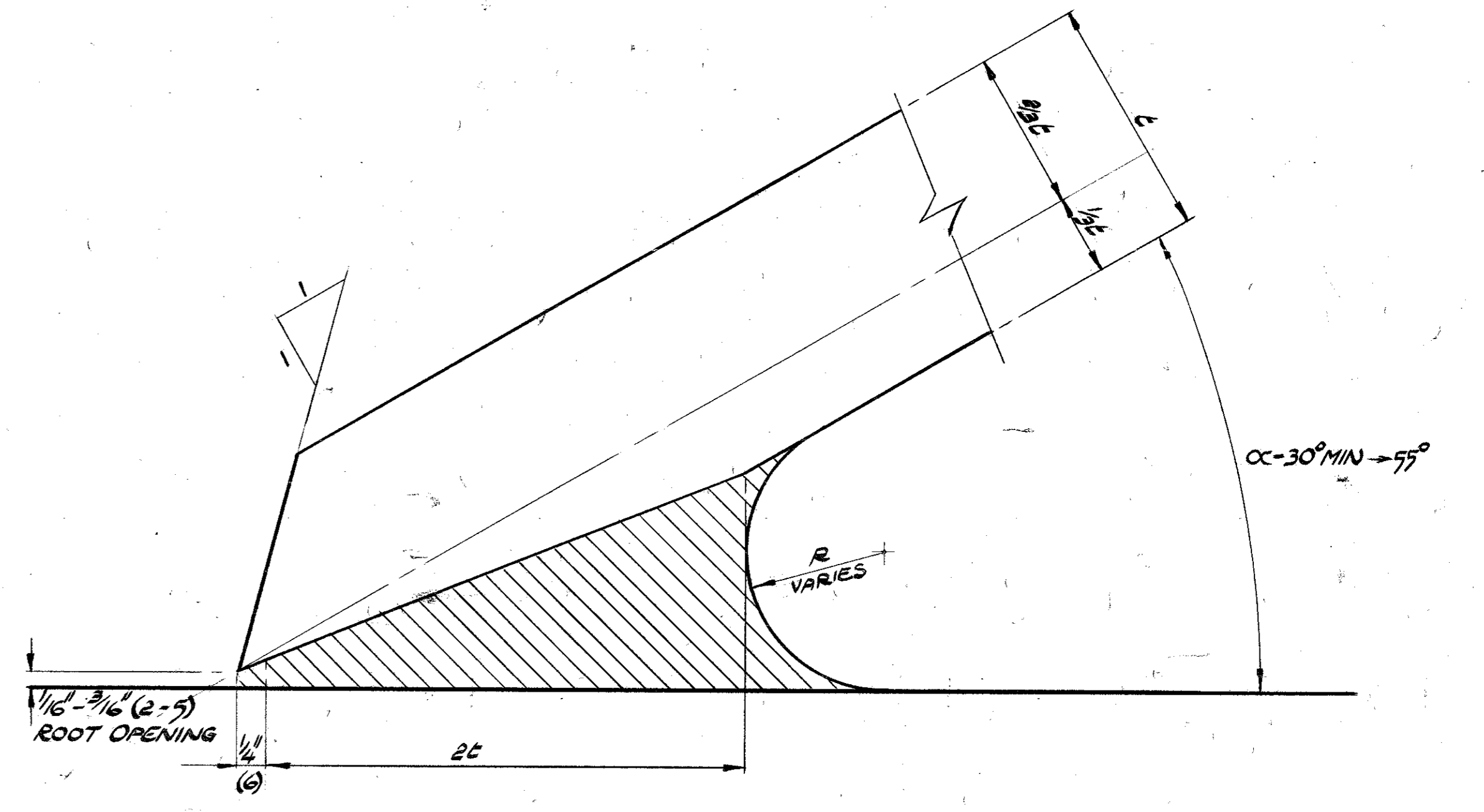
SECTION A-A



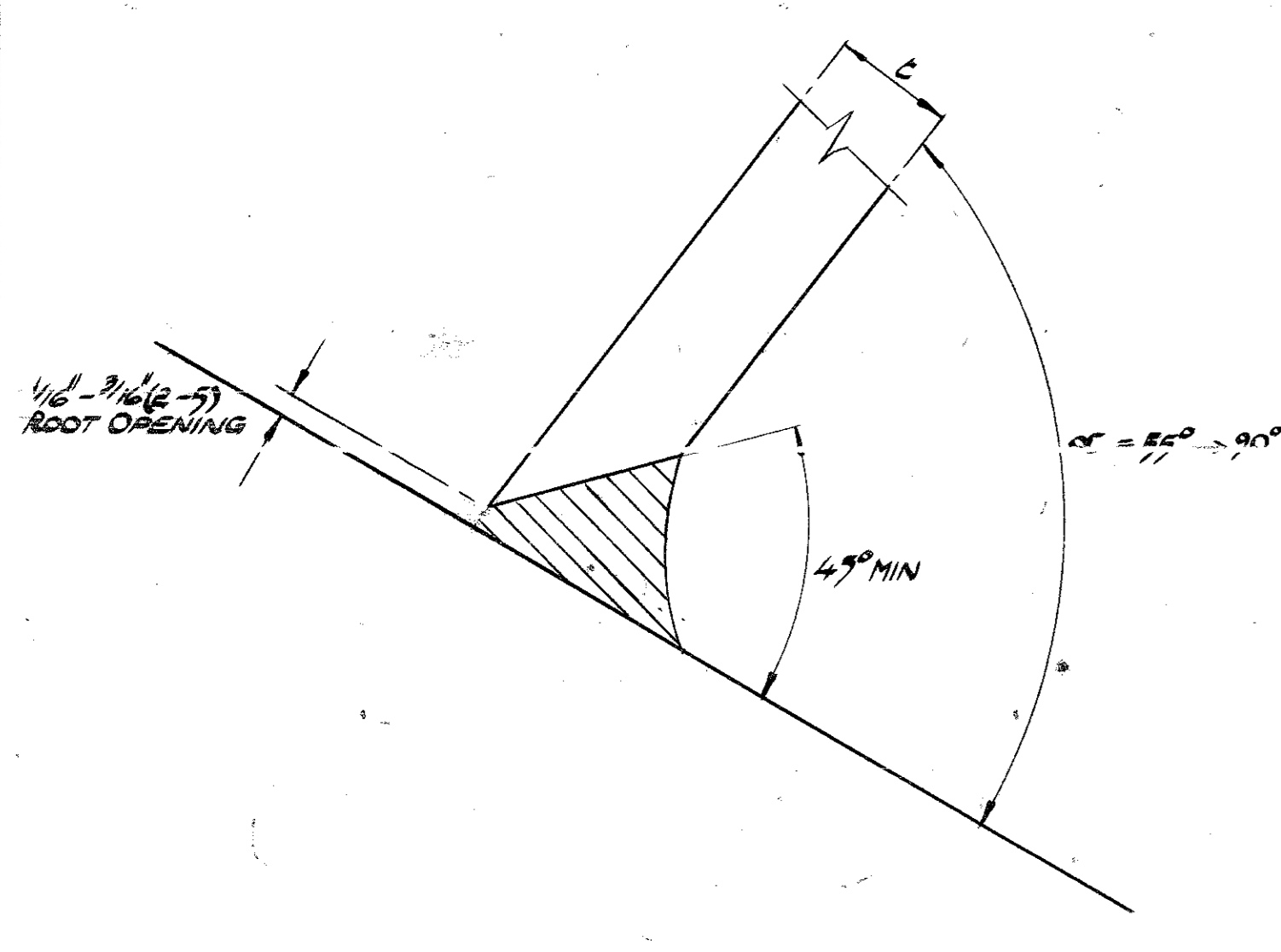
SECTION B-B



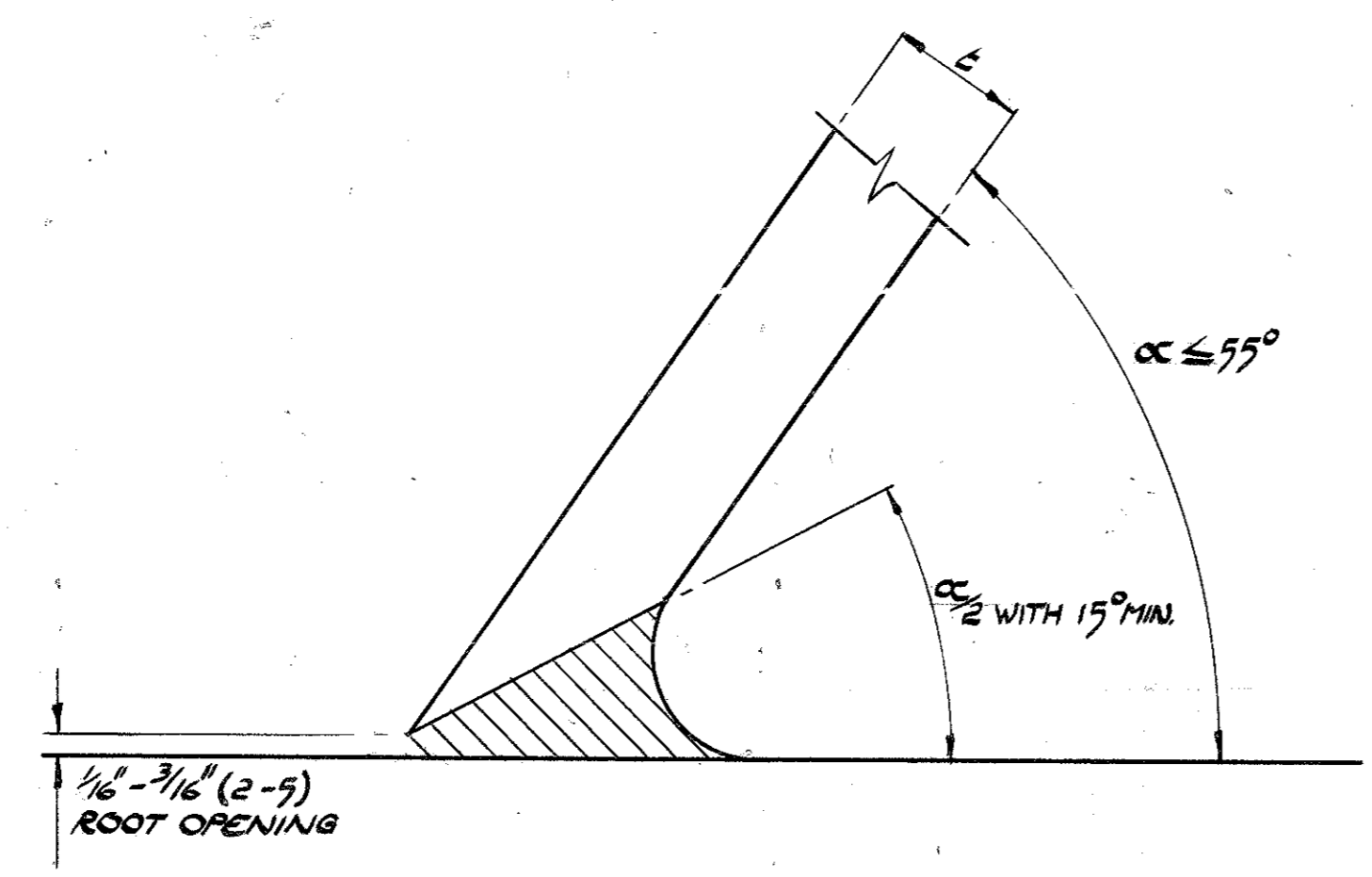
SECTION D-D
L > C ≥ 1/4"



SECTION D-D
L ≥ 2"



SECTION C-C
L < 1/2"



SECTION D-D
(CONTOUR RADII = 3/16" WALL THICKNESS < 1/2")

25 JUL 1974
APPROVED FOR CONSTRUCTION

elf norge a.s.
dwg no: FF 93/210 049
REV: 0 DATE: 09.10.74

<p>ELF-NORGE A/S NORWAY</p>	
<p>24 WELL SELF CONTAINED DRILLING PLATFORM No 1</p>	
<p>NORTH SEA</p>	<p>FRIGG FIELD</p>
<p>WVD 98 M</p>	
<p>McDERMOTT - HUDSON</p>	
<p>LONDON - ENGLAND</p>	
<p>PROJECT: 148753</p>	<p>SCALE: FULL SIZE</p>
<p>DESIGNED BY: T. GALLAGHER</p>	<p>DATE: 2-AUG-73</p>
<p>DESIGNED BY: R. SMITH</p>	<p>ELN 02020</p>
<p>DATE: 25.10.73</p>	<p>SHEET NO. 147</p>
<p>WELD DETAILS FOR TUBULAR JOINTS</p>	

DESIGN										REVISIONS										
DESIGN	STRUCT	PIPING	ELEC	MK	BY	DATE	REVISIONS	DATE	APP.	DESIGN	STRUCT	PIPING	ELEC	MK	BY	DATE	REVISIONS	DATE	APP.	